

The new 4G. Get ready.

The new 4G presents new developments while preserving the existing 4G Series concept. Here it is.

Power consumption

0.1w

With low exoergic/
energy saving circuit

4GAB

Power consumption

0.35w

Standard products

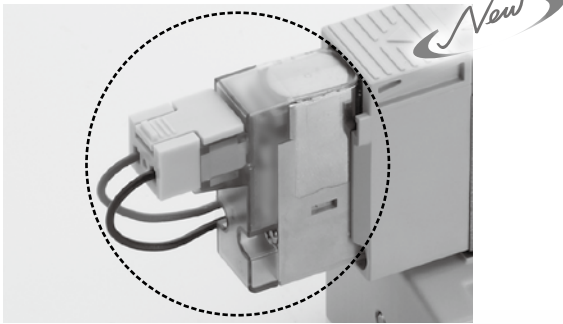
Environmental performance

Continuous energizing OK

(With low exoergic/energy saving circuit)

Uses a new coil actuator.

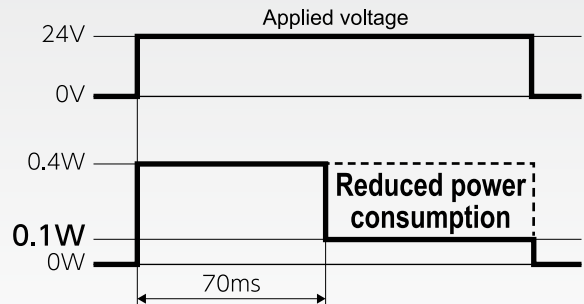
4GAB



Reduced power consumption

4GAB

Energy saving waveform



Safety

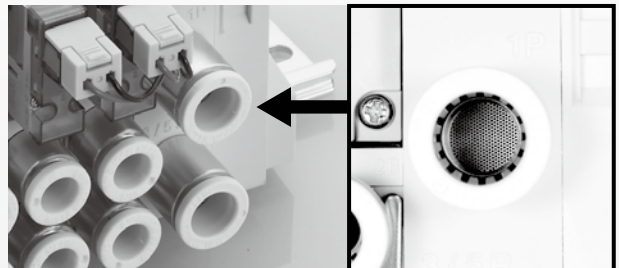
Prevents manual misoperation

Manual override has a protective cover.



Prevents problems with foreign matter

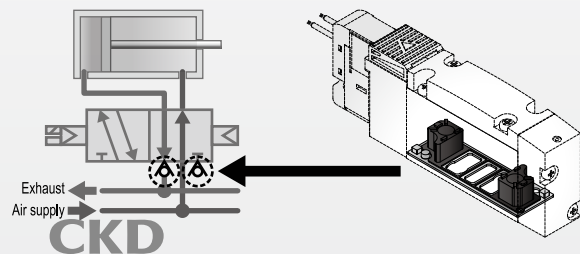
- Air supply filter equipped as standard (A/B ports equipped as option)



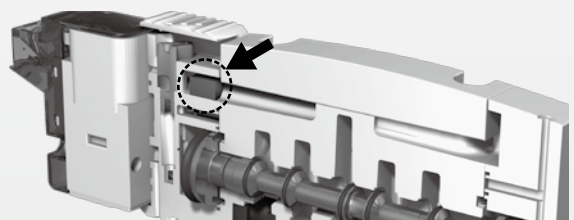
Helps prevent misoperation problems

[Exhaust check valve]

Equipped as standard with both metal base and resin block.



- Internal pilot filter equipped as standard.



4GA/B

M4GA/B

MN4GA/B

4GA/B
(mastr)

4GD/E

M4GD/E

MN4GD/E

4GA4/B4

MN3E
MN4E

W4GA/B2

W4GB4

4TB

4L2-4/
LMF0

MN3S0
MN4S0

4SA/B0

4KA/B

4KA/B
(mastr)

4F

4F
(mastr)

PV5G
GMF

PV5
GMF

PV5S-0

3QR
3QB

MV3QR

3MA/B0

3PA/B

P/M/B

NP/NAP/
NVP

4F*0EX

4F*0E

HMV
HSV

2QV
3QV

SKH

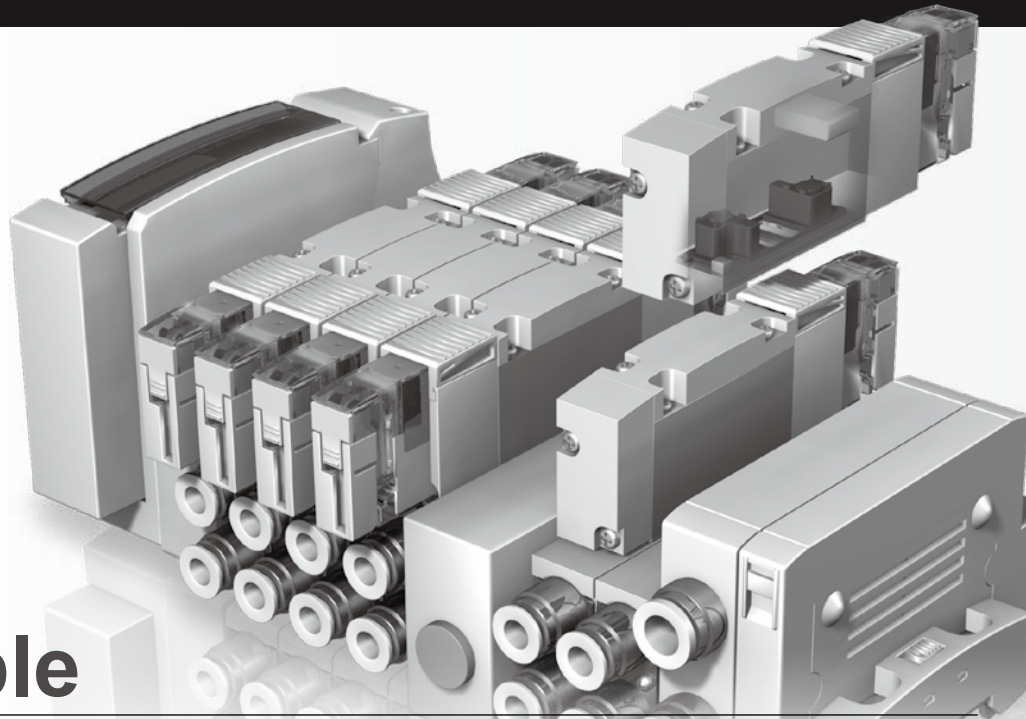
PCD

Silencer

TotAirSys
(Total Air)

TotAirSys
(Gamma)

Ending

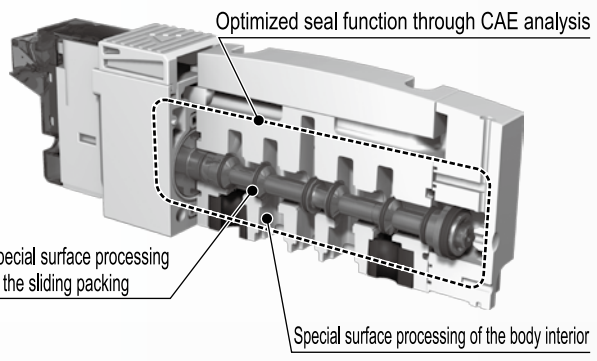


4GA/B
M4GA/B
MN4GA/B
4GA/B (mastr)
4GD/E
M4GD/E
MN4GD/E
4GA4/B4
MN3E
MN4E
W4GA/B2
W4GB4
4TB
4L2-4/LMF0
MN3S0
MN4S0
4SA/B0
4KA/B
4KA/B (mastr)
4F
4F (mastr)
PV5G
GMF
PV5
GMF
PV5S-0
3QR
3QB
MV3QR
3MA/B0
3PA/B
P/M/B
NP/NAP/NVP
4F*0EX
4F*0E
HMV
HSV
2QV
3QV
SKH
PCD
Silencer
TotAirSys (Total Air)
TotAirSys (Gamma)
Ending

Reliable

Low sliding/long service life realized *1

Superb main valve sliding mechanism realizes low sliding/long service life. **4GAB**



New
Durability count
More than 100 million operations
 Single solenoid, under our regulated conditions
4GAB

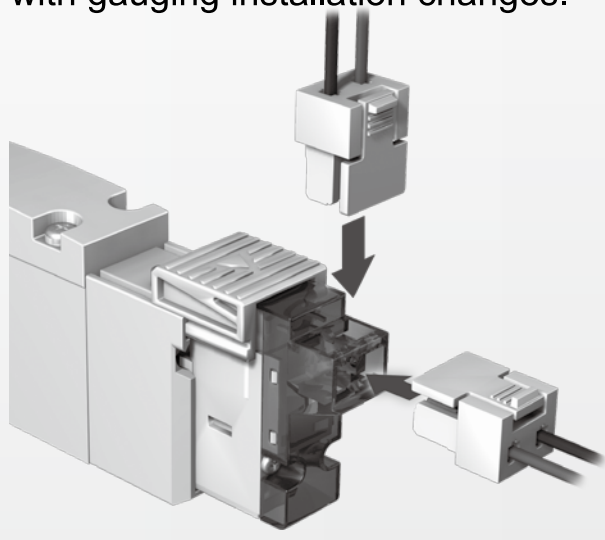
Response time
12±2 ms
4G1

Improved responsivity after a shutdown *2
 Smooth start even after time off. **4GAB**
 Effective for Monday morning troubles and unexplained stoppages.

Easy to use

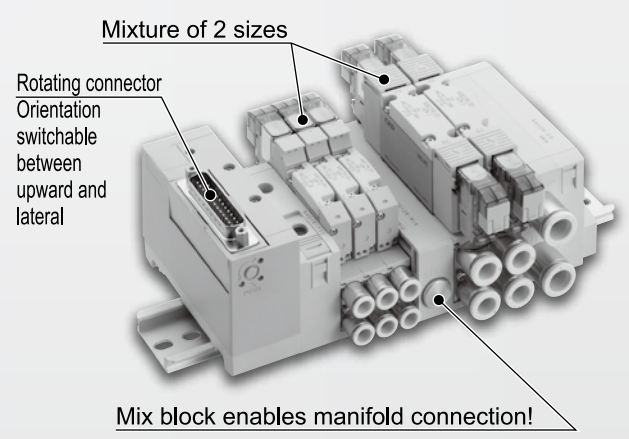
Wiring connector upward/lateral common

Easier to select. Also compatible with gauging installation changes.



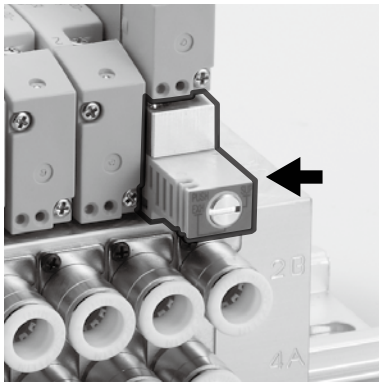
New
Uses a rotating connector
 Orientation can be switched between upward and lateral.

Mixture of 2 sizes
 Mix block enables manifold connection.



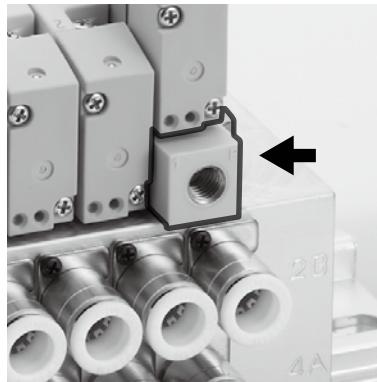
4GA/B
M4GA/B
MN4GA/B
4GA/B (mastr)
4GD/E
M4GD/E
MN4GD/E
4GA4/B4
MN3E MN4E
W4GA/B2
W4GB4
4TB
4L2-4/ LMF0
MN3S0 MN4S0
4SA/B0
4KA/B
4KA/B (mastr)
4F
4F (mastr)
PV5G GMF
PV5 GMF
PV5S-0
3QR 3QB
MV3QR
3MA/B0
3PA/B
P/M/B
NP/NAP/ NVP
4F*0EX
4F*0E
HMV HSV
2QV 3QV
SKH
PCD
Silencer
TotAirSys (Total Air)
TotAirSys (Gamma)
Ending

Diverse options



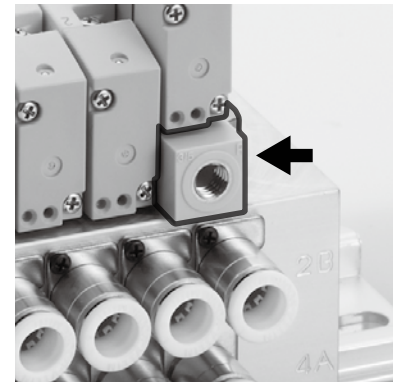
In-stop valve spacer

Valves can be replaced individually without stopping production line operation!



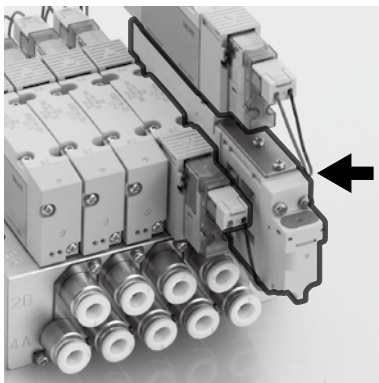
Air supply spacer

Ideal for cylinder thrust adjustment by increasing/decreasing individual valve pressure!



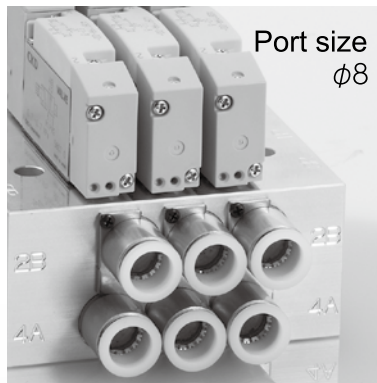
Exhaust spacer

Single acting cylinder malfunction prevention with individual exhaust!



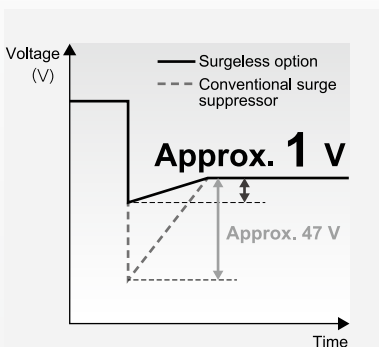
Aggregated pilot check valve spacer

Ideal for cylinder position locking and braking over long periods!



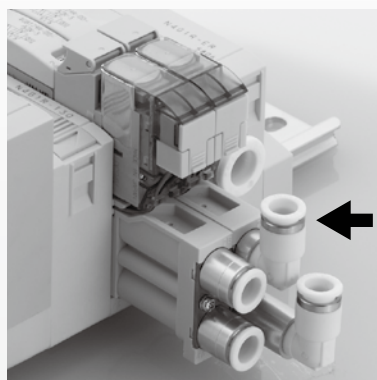
4G1 metal manifold for C8, 4G2 metal manifold for C10

Larger fitting enables increased cylinder operation speed!



Voltage surgeless option

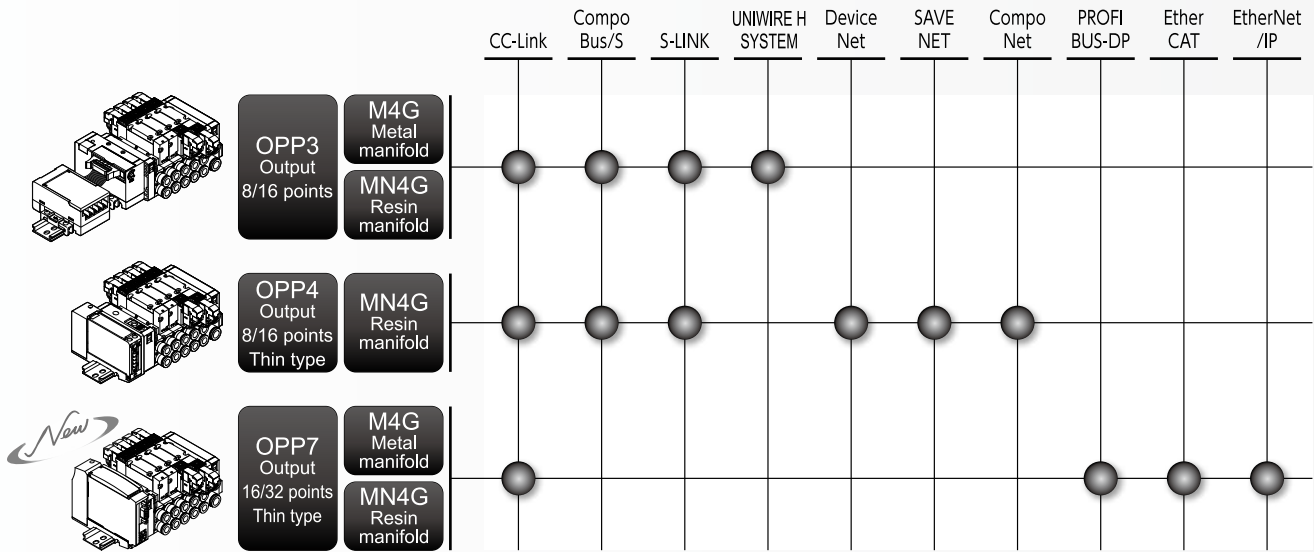
Coil surge voltage reduced by approx. 1 V to protect output contacts!



Pipe adaptor option for block manifold

Added piping direction variations increase the flexibility of valve installation!

Communication variations



- 4GA/B
- M4GA/B
- MN4GA/B
- 4GA/B (mastr)
- 4GD/E
- M4GD/E
- MN4GD/E
- 4GA4/B4
- MN3E
- MN4E
- W4GA/B2
- W4GB4
- 4TB
- 4L2-4/LMF0
- MN3S0
- MN4S0
- 4SA/B0
- 4KA/B
- 4KA/B (mastr)
- 4F
- 4F (mastr)
- PV5G
- GMF
- PV5
- GMF
- PV5S-0
- 3QR
- 3QB
- MV3QR
- 3MA/B0
- 3PA/B
- P/M/B
- NP/NAP/NVP
- 4F*0EX
- 4F*0E
- HMV
- HSV
- 2QV
- 3QV
- SKH
- PCD
- Silencer
- TotAirSys (Total Air)
- TotAirSys (Gamma)
- Ending

4G1/B, 4GD/E: Comparison of applications/environments

Look for: "Air quality and required options"

		High-function 4GA/B R	Standard 4GD/E R
Reliable	Air quality		
	Ultra dry air/N2	● *1	○
	Dry air	● *1	○
	Oil-infiltrated air/low ozone	○	○
Drain air	● *1	○	
	Easy start-ups after long shutdown	● *2	○
	Low vacuum	○	
Safety	Exhaust check function	○	○
	Manual misoperation prevention function	○	○
	Prevents problems with foreign matter	○	○
Easy to use	Piping direction change	○	
	External pilot	○	
	Piping connector upward/lateral common	○	○
	Tools not required for manual override	○	○

● Ideal ○ Compatible