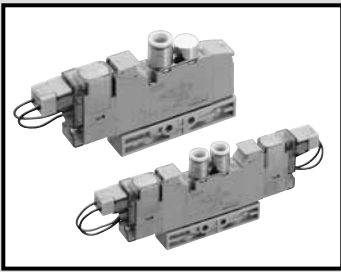


4GA/B
M4GA/B
MN4GA/B
4GA/B (mastr)
4GD/E
M4GD/E
MN4GD/E
4GA4/B4
MN3E
MN4E
W4GA/B2
W4GB4
4TB
4L2-4/
LMF0
MN3S0
MN4S0
4SA/B0
4KA/B
4KA/B (mastr)
4F
4F (mastr)
PV5G
GMF
PV5
GMF
PV5S-0
3QR
3QB
MV3QR
3MA/B0
3PA/B
P/M/B
NP/NAP/
NVP
4F*0EX
4F*0E
HMV
HSV
2QV
3QV
SKH
PCD
Silencer
TotAirSys
(Total Air)
TotAirSys
(Gamma)
Ending



Single valve
Body piping

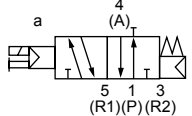
3GD1/2/3 / 4GD1/2/3 Series

● Cylinder bore size: $\phi 20$ to $\phi 100$

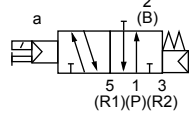


JIS symbol

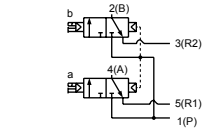
- 3-port valve
2-position single NC



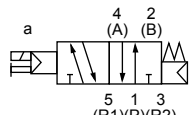
- 2-position single NO



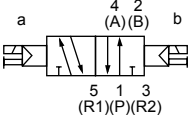
- Two 3-port valves integrated
(A side valve: NC, B side valve: NC)



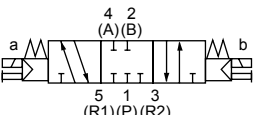
- 5-port valve
2-position single



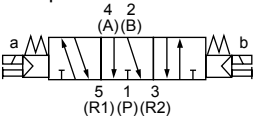
- 2-position double



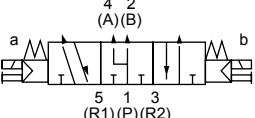
- 3-position all ports closed



- 3-position A/B/R connection



- 3-position P/A/B connection



Common specifications

Descriptions	Content
Valve and operation	Pilot operated soft spool valve
Working fluid	Compressed air
Max. working pressure MPa	0.7 (≈ 100 psi, 7 bar)
Min. working pressure MPa	0.2 (≈ 29 psi, 2 bar)
Proof pressure MPa	1.05 (≈ 150 psi, 10.5 bar)
Ambient temperature $^{\circ}\text{C}$	-5 (23 $^{\circ}\text{F}$) to 55 (131 $^{\circ}\text{F}$) (no freezing)
Fluid temperature $^{\circ}\text{C}$	5 (41 $^{\circ}\text{F}$) to 55 (131 $^{\circ}\text{F}$)
Manual override	Non-locking/locking common type
Pilot exhaust method	Main valve/pilot valve common exhaust type
Lubrication *1	Not required
Degree of protection *2	Dust-proof
Vibration resistance m/s^2	50 or less
Shock resistance m/s^2	300 or less
Atmosphere	Cannot be used in corrosive gas environments

*1: Use turbine oil Class 1 ISO VG32 for lubrication.
Excessive or intermittent lubrication results in unstable operation.

*2: Avoid water drops or oil, etc., during use.
IP65 (jet-proof) applies for DIN terminal box specifications. However, the specified outer diameter of the applicable cord and tightening torque must be used for fixing in place.

Electrical specifications

Descriptions	Content			
	24 DC	12 DC	100 AC	200 AC
Rated voltage V	24 DC	12 DC	100 AC	200 AC
V fluctuation range	$\pm 10\%$			
Holding current A	0.015 (*3)	0.030 (0.034)	0.009 (0.009)	0.006 (0.006)
Power consumption W (*3)	0.35(0.40)		-	
Apparent power VA (*3) (*4)	-		0.93 (0.98)	1.40
Thermal class	B			
Surge suppressor	Option			
Indicator	Lamp (option)			

*3: Values in () apply when lamp is included.

*4: 200 VAC is the value of DIN terminal box (with lamp).

Individual specifications

Descriptions	Port size	3GD1	3GD2	3GD3	4GD1	4GD2	4GD3
		A/B port	Push-in fitting $\phi 4, \phi 6$ M5	Push-in fitting $\phi 4, \phi 6, \phi 8$ Rc1/8	Push-in fitting $\phi 6, \phi 8, \phi 10$ Rc1/4	Push-in fitting $\phi 4, \phi 6$ M5	Push-in fitting $\phi 4, \phi 6, \phi 8$ Rc1/8
	P/R1/R2 port	M5	Rc1/8	Rc1/4	M5	Rc1/8	Rc1/4

Descriptions		3GD1		3GD2		3GD3		4GD1		4GD2		4GD3		
		ON	OFF	ON	OFF	ON	OFF	ON	OFF	ON	OFF	ON	OFF	
Response time ms	Two 3-port valves integrated	12	15	15	30	-	-	-	-	-	-	-	-	
	2-position	Single	15	25	20	30	25	40	15	25	20	30	25	40
		Double	-	-	-	-	-	-	15	-	20	-	25	-
	3-position ABR connection	-	-	-	-	-	-	20	30	25	35	35	50	

Values with lamp/surge suppressor are shown. The response time is the value with supply pressure of 0.5 MPa at 20 $^{\circ}\text{C}$ without lubrication. It depends on the pressure and the lubricant quality.

Descriptions	Weight g	3GD1		3GD2		3GD3		4GD1		4GD2		4GD3	
		Single	Double	Single	Double	Single	Double	Single	Double	Single	Double	Single	Double
2-position	Grommet lead wire	48(41)	110(80)	144(102)	48(41)	115(85)	153(111)						
		E type connector	50(43)	112(82)	146(104)	50(43)	117(87)	155(113)					
		DIN terminal box	-	147(117)	178(136)	-	152(122)	187(145)					
	E type connector	-	-	-	65(58)	133(103)	175(129)						
		-	-	-	69(62)	137(107)	179(133)						
		-	-	-	-	176(146)	215(169)						
3-position All ports closed	Grommet lead wire	-	-	-	67(60)	145(115)	184(142)						
		-	-	-	71(64)	149(119)	188(146)						
		-	-	-	-	188(158)	224(182)						

· Values in () do not include the pipe adaptor. Values for the E type connector include the socket assembly (with 300 mm lead wire). For the EJ type connector, add 16 g/connector to the E type connector weight.

· The weight of the two 3-port valves integrated is the same as that of 2-position double.

Flow characteristics

Model No.	Solenoid position	P → A/B		A/B → R1/R2		
		C[dm ³ /(s·bar)]	b	C[dm ³ /(s·bar)]	b	
3GD1 4GD1	Two 3-port valves integrated	0.98	0.45	0.71	0.34	
	2-position	1.2	0.47	0.72	0.37	
	3-position	All ports closed	1.1	0.39	0.70	0.34
		ABR connection	1.1	0.33	0.72	0.34
		PAB connection	1.3	0.61	0.72	0.36
3GD2 4GD2	Two 3-port valves integrated	1.8	0.29	2.3	0.32	
	2-position	2.4	0.33	2.8	0.30	
	3-position	All ports closed	2.2	0.28	2.5	0.28
		ABR connection	2.3	0.26	2.8	0.27
		PAB connection	2.5	0.38	2.4	0.30
3GD3 4GD3	2-position	3.4	0.29	4.0	0.24	
	3-position	All ports closed	3.1	0.27	3.4	0.28
		ABR connection	3.1	0.33	4.1	0.20
		PAB connection	3.5	0.43	3.4	0.32

Note: Effective cross-sectional area S and sonic conductance C are converted as $S \approx 5.0 \times C$.

Ozone-proof specifications

Coolant proof specifications

Can be selected with "How to order" Item (E) option "A" on page 346.

Specifications for rechargeable battery (Catalog No. CC-1226A)

- For use in the rechargeable battery manufacturing process, materials used for air path and sliding section are limited

** - Voltage - **P4**

CE marking specifications

** - Voltage - **ST**

4GA/B
M4GA/B
MN4GA/B
4GA/B (mastr)
4GD/E
M4GD/E
MN4GD/E
4GA4/B4
MN3E
MN4E
W4GA/B2
W4GB4
4TB
4L2-4/LMF0
MN3S0
MN4S0
4SA/B0
4KA/B
4KA/B (mastr)
4F
4F (mastr)
PV5G
GMF
PV5
GMF
PV5S-0
3QR
3QB
MV3QR
3MA/B0
3PA/B
P/M/B
NP/NAP/NVP
4F*0EX
4F*0E
HMV
HSV
2QV
3QV
SKH
PCD
Silencer
TotAirSys (Total Air)
TotAirSys (Gamma)
Ending

3GD1/2/3 / 4GD1/2/3 Series

Single valve; body piping

How to order

4GA/B 4GD1 1 0 R - C6 - E2 - 1

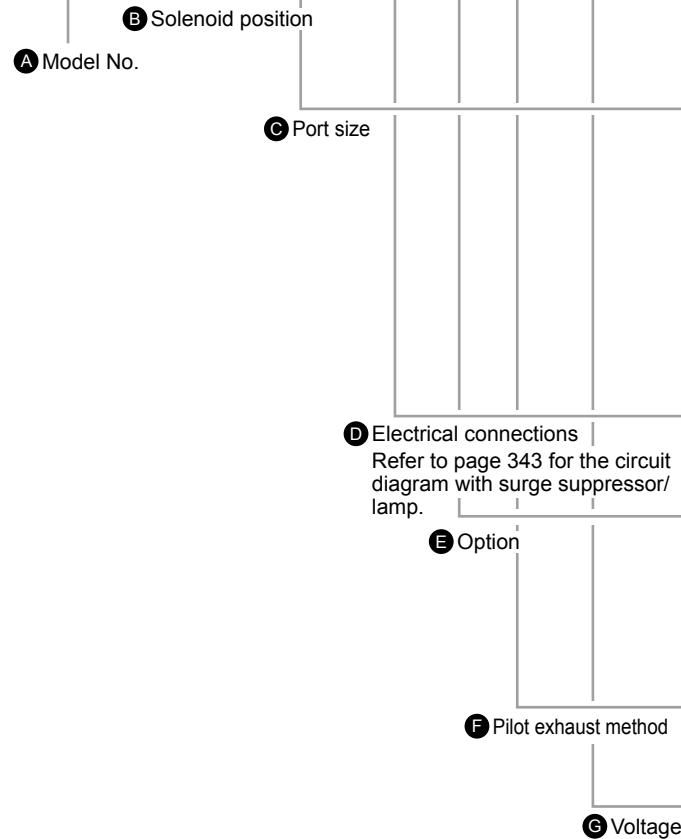
MN4GA/B 3GD1 1 0 R - C6 - E2 - 1

● Single valve for mounting base

4GD/E 4GD1 1 9 R - C6 - E2 H - 3

● Discrete 3-port valve for mounting base

MN4GD/E 3GD1 1 9 R - C6 - E2 H C - 3



A Model No.					
3GD1	3GD2	3GD3	4GD1	4GD2	4GD3

Code	Content	3GD1	3GD2	3GD3	4GD1	4GD2	4GD3
B Solenoid position							
1	2-position single				●	●	●
2	2-position double				●	●	●
3	3-position all ports closed				●	●	●
4	3-position ABR connection				●	●	●
5	3-position PAB connection				●	●	●
1	2-position single: normally closed (*1)	●	●	●			
11	2-position single: normally open (*1)	●	●	●			
66	Two 3-port valves A side valve: Normally closed integrated (*2) B side valve: Normally closed	●	●				

C Port size							
Port	4(A)/2(B) port	P/R1/R2 port (1) = M5, (2) = Rc1/8, (3) = Rc1/4					
C4	φ4 push-in fitting	(1)	(2)		(1)	(2)	
C6	φ6 Push-in fitting	(1)	(2)	(3)	(1)	(2)	(3)
C8	φ8 Push-in fitting		(2)	(3)		(2)	(3)
C10	φ10 Push-in fitting			(3)			(3)
M5	M5	(1)			(1)		
06	Rc1/8		(2)			(2)	
08	Rc1/4			(3)			(3)

D Electrical connections	
Refer to the electrical connection list on next page.	

E Option							
Blank	Non-locking/locking common manual override	●	●	●	●	●	●
H	With exhaust check valve (*3)	●	●	●	●	●	●
P	With mounting plate	●	●	●	●	●	●
A	Ozone/coolant proof	●	●	●	●	●	●
F	A/B-port filter built in (*4)	●	●	●	●	●	●

F Pilot exhaust method							
Blank	Common exhaust (pilot exhaust check valve built-in)	●	●	●	●	●	●
C	Atmosphere release	○	○	○	○	○	○

G Voltage							
1	100 VAC (rectifier integrated)	●	●	●	●	●	●
2	200 VAC (rectifier integrated) (*5)		●	●		●	●
3	24 VDC	●	●	●	●	●	●
4	12 VDC	●	●	●	●	●	●

is not available.

○ indicates a custom order.

⚠ Precautions for model No. selection

*1: For the 3GD normally closed, the piping connection 2 (B) and 3 (R2) ports are plugged. For 3GD normally open type, avoid plugging the 5 (R1) port. Otherwise, malfunctions may result.

*2: Dimensions are the same as the respective 2-position double solenoid.

*3: 3-position all ports closed and PAB connection are not provided with the exhaust check valve.

Refer to page 751 for details on the exhaust check valve.

*4: A filter is built into the P-port as standard.

*5: DIN terminal box only is supported.

3GD1/2/3 / 4GD1/2/3 Series

Single valve; body piping

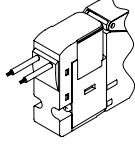
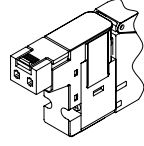
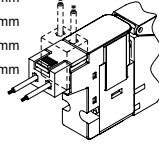
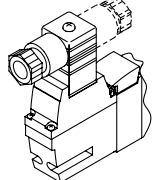
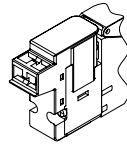
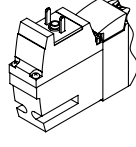
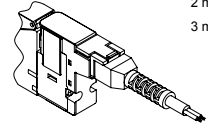
[Electrical connections list]

		A Model No.					
		3GD1	3GD2	3GD3	4GD1	4GD2	4GD3
D Electrical connections							
Blank	Grommet lead wire (300 mm) (*6)	●	●	●	●	●	●
B	DIN terminal box (Pg7) with surge suppressor/lamp (*7)		●	●		●	●
BN	DIN terminal box (Pg7) (without terminal box) with surge suppressor (*7)		●	●		●	●
E type connector (upward/lateral common)							
E0	Lead wire (300 mm) (*8)	●	●	●	●	●	●
E00	Lead wire (500 mm) (*8)	●	●	●	●	●	●
E01	Lead wire (1000 mm) (*8)	●	●	●	●	●	●
E02	Lead wire (2000 mm) (*8)	●	●	●	●	●	●
E03	Lead wire (3000 mm) (*8)	●	●	●	●	●	●
E0N	Without lead wire (without socket) (*8)	●	●	●	●	●	●
E1	Without lead wire (socket/terminal attached) (*8)	●	●	●	●	●	●
E2	Lead wire (300 mm), surge suppressor/indicator lamp	●	●	●	●	●	●
E20	Lead wire (500 mm), surge suppressor/indicator lamp	●	●	●	●	●	●
E21	Lead wire (1000 mm), surge suppressor/indicator lamp	●	●	●	●	●	●
E22	Lead wire (2000 mm), surge suppressor/indicator lamp	●	●	●	●	●	●
E23	Lead wire (3000 mm), surge suppressor/indicator lamp	●	●	●	●	●	●
E2N	No lead wire (without socket), surge suppressor/indicator lamp	●	●	●	●	●	●
E3	No lead wire (with socket/terminal), surge suppressor/indicator lamp	●	●	●	●	●	●
EJ type connector (socket with cover, upward/lateral common)							
E01J	Lead wire (1000 mm) (*8)	●	●	●	●	●	●
E02J	Lead wire (2000 mm) (*8)	●	●	●	●	●	●
E03J	Lead wire (3000 mm) (*8)	●	●	●	●	●	●
E21J	Lead wire (1000 mm), surge suppressor/indicator lamp	●	●	●	●	●	●
E22J	Lead wire (2000 mm), surge suppressor/indicator lamp	●	●	●	●	●	●
E23J	Lead wire (3000 mm), surge suppressor/indicator lamp	●	●	●	●	●	●

*6: Grommet lead wire specifications are compatible with DC voltage only.

*7: A lamp comes with the terminal box.

*8: AC voltage is with a rectifier circuit.

Electrical connections		Discrete valve/individual wiring manifold	
Blank	Grommet lead wire	E1	E type connector with socket/terminal
E1		E3	
● Lead wire length 300 mm			
E0	E type connector	B	DIN terminal box
E2			
● Lead wire length 300 mm 500 mm 1000 mm 2000 mm 3000 mm			
E0N	E type connector without socket	BN	DIN terminal box without terminal box
E2N			
			
E0*J		E2*J	EJ type connector
		● Lead wire length 1 m 2 m 3 m	

- 4GA/B
- M4GA/B
- MN4GA/B
- 4GA/B (mastr)
- 4GD/E
- M4GD/E
- MN4GD/E
- 4GA4/B4
- MN3E
- MN4E
- W4GA/B2
- W4GB4
- 4TB
- 4L2-4/LMF0
- MN3S0
- MN4S0
- 4SA/B0
- 4KA/B
- 4KA/B (mastr)
- 4F
- 4F (mastr)
- PV5G
- GMF
- PV5
- GMF
- PV5S-0
- 3QR
- 3QB
- MV3QR
- 3MA/B0
- 3PA/B
- P/M/B
- NP/NAP/NVP
- 4F*0EX
- 4F*0E
- HMV
- HSV
- 2QV
- 3QV
- SKH
- PCD
- Silencer
- TotAirSys (Total Air)
- TotAirSys (Gamma)
- Ending

3GD1 Series

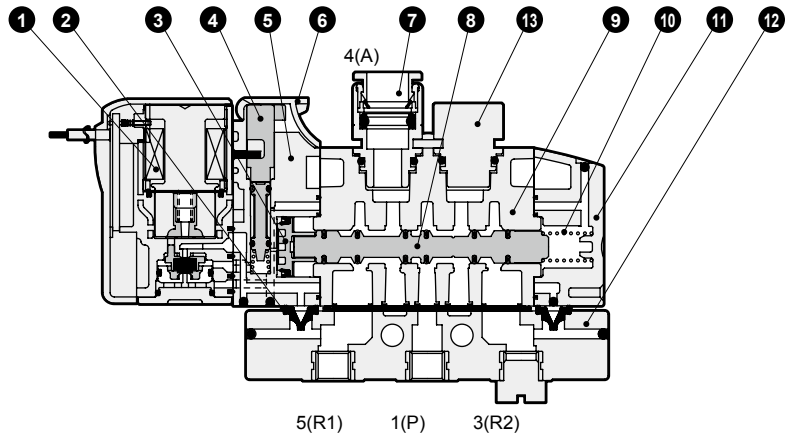
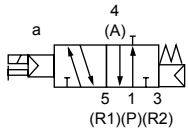
Single valve; body piping

- 4GA/B
- M4GA/B
- MN4GA/B
- 4GA/B (mastr)
- 4GD/E
- M4GD/E
- MN4GD/E
- 4GA4/B4
- MN3E
- MN4E
- W4GA/B2
- W4GB4
- 4TB
- 4L2-4/LMF0
- MN3S0
- MN4S0
- 4SA/B0
- 4KA/B
- 4KA/B (mastr)
- 4F
- 4F (mastr)
- PV5G GMF
- PV5 GMF
- PV5S-0
- 3QR
- 3QB
- MV3QR
- 3MA/B0
- 3PA/B
- P/M/B
- NP/NAP/NVP
- 4F*0EX
- 4F*0E
- HMV
- HSV
- 2QV
- 3QV
- SKH
- PCD
- Silencer
- TotAirSys (Total Air)
- TotAirSys (Gamma)
- Ending

Internal structure and parts list

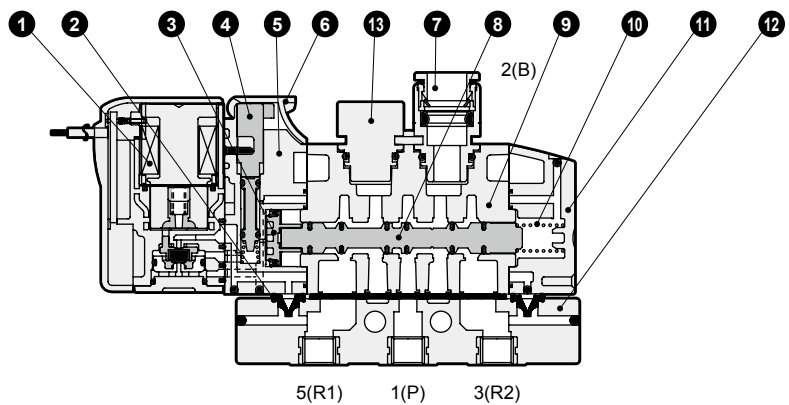
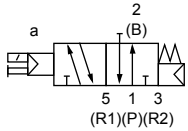
3GD110R

- 2-position single: Normally closed
- Grommet lead wire (blank)



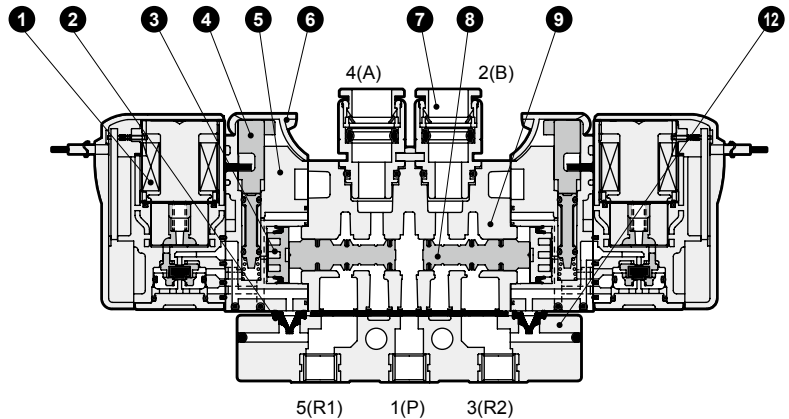
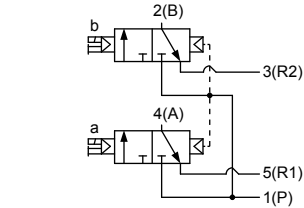
3GD1110R

- 2-position single: Normally open
- Grommet lead wire (blank)



3GD1660R

- Two 3-port valves integrated
- Grommet lead wire (blank)
- A side valve: Normally closed,
- B side valve: Normally closed



Main parts list

No.	Part name	Material
1	Coil assembly	-
2	Pilot exhaust check valve	Hydrogenated nitrile rubber
3	Piston D assembly	-
4	Manual override	Resin
5	Piston chamber	Resin
6	Manual protection cover	Resin
7	Cartridge push-in fitting	-
8	Spool assembly	-
9	Body	Aluminum alloy die-casting
10	Spool spring	Stainless steel
11	Cap	Resin
12	Pipe adaptor	Resin
13	Plug cartridge	Aluminum

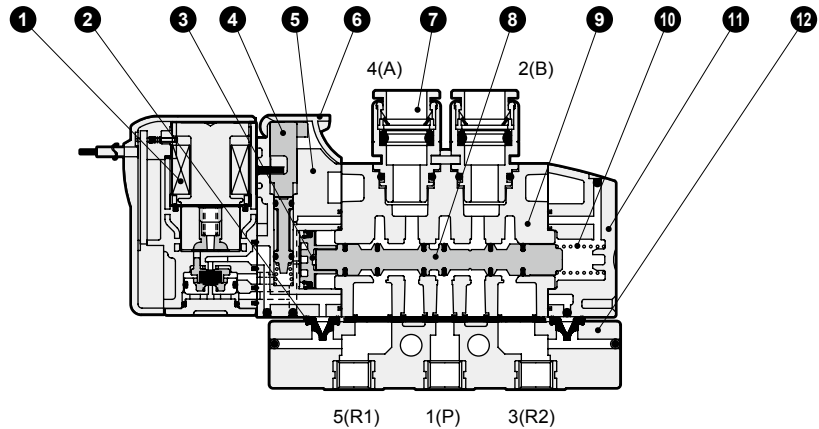
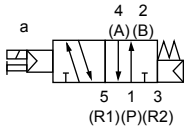
Parts list

No.	Part name	Model No.
1	Coil assembly	4GR - [electrical connections] - □ - COIL - [voltage]
		Blank: Standard A: Ozone specifications Blank: Grommet lead wire
7	Cartridge push-in fitting and related parts	φ4 straight 4G1R-JOINT-C4
		φ6 straight 4G1R-JOINT-C6
		Plug cartridge 4G1R-JOINT-CPG

Internal structure and parts list

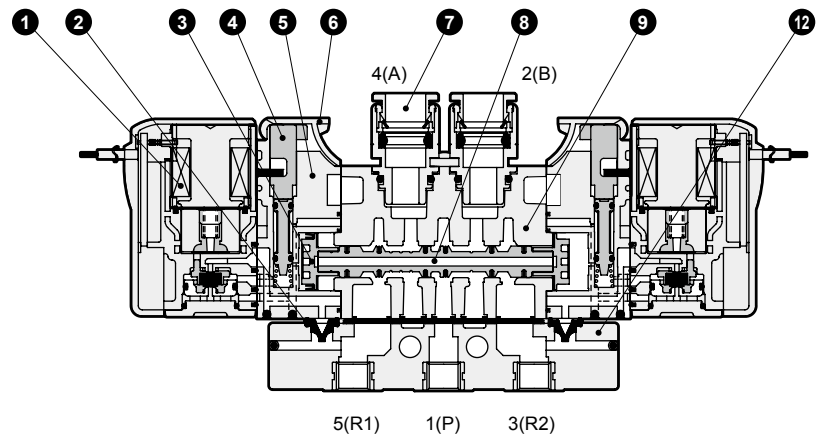
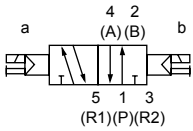
4GD110R

- 2-position single
- Grommet lead wire (blank)



4GD120R

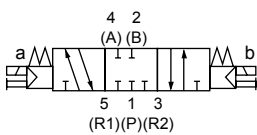
- 2-position double
- Grommet lead wire (blank)



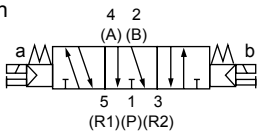
4GD1³/₄0R

- 3-position
- Grommet lead wire (blank)

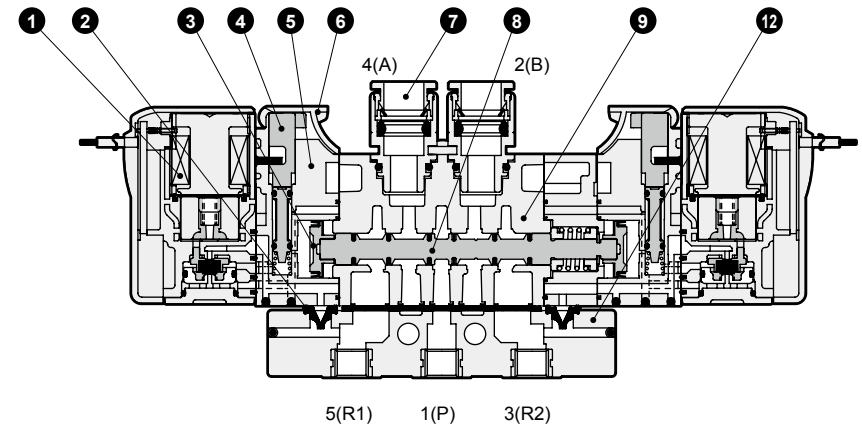
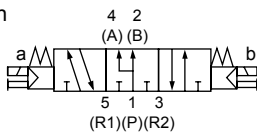
All ports closed



A/B/R connection



P/A/B connection



Main parts list

No.	Part name	Material
1	Coil assembly	-
2	Pilot exhaust check valve	Hydrogenated nitrile rubber
3	Piston D assembly	-
4	Manual override	Resin
5	Piston chamber	Resin
6	Manual protection cover	Resin
7	Cartridge push-in fitting	-
8	Spool assembly	-
9	Body	Aluminum alloy die-casting
10	Spool spring	Stainless steel
11	Cap	Resin
12	Pipe adaptor	Resin

Parts list

No.	Part name	Model No.
1	Coil assembly	4GR - [electrical connections] - □ - COIL - [voltage]
		Blank: Standard A: Ozone specifications Blank: Grommet lead wire
7	Cartridge	φ4 straight 4G1R-JOINT-C4
	push-in fitting	φ6 straight 4G1R-JOINT-C6
	and related parts	Plug cartridge 4G1R-JOINT-CPG

4GA/B
M4GA/B
MN4GA/B
4GA/B (mastr)
4GD/E
M4GD/E
MN4GD/E
4GA4/B4
MN3E MN4E
W4GA/B2
W4GB4
4TB
4L2-4/ LMF0
MN3S0 MN4S0
4SA/B0
4KA/B
4KA/B (mastr)
4F
4F (mastr)
PV5G GMF
PV5 GMF
PV5S-0
3QR 3QB
MV3QR
3MA/B0
3PA/B
P/M/B
NP/NAP/ NVP
4F*0EX
4F*0E
HMV HSV
2QV 3QV
SKH
PCD
Silencer
TotAirSys (Total Air)
TotAirSys (Gamma)
Ending

3GD2/3 Series

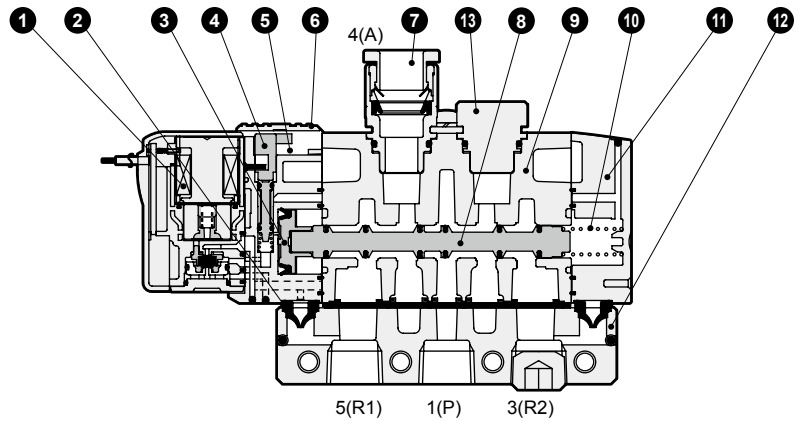
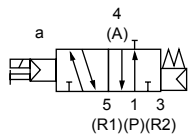
Single valve; body piping

Internal structure and parts list

- 4GA/B
- M4GA/B
- MN4GA/B
- 4GA/B (mastr)
- 4GD/E
- M4GD/E
- MN4GD/E
- 4GA4/B4
- MN3E
- MN4E
- W4GA/B2
- W4GB4
- 4TB
- 4L2-4/LMF0
- MN3S0
- MN4S0
- 4SA/B0
- 4KA/B
- 4KA/B (mastr)
- 4F
- 4F (mastr)
- PV5G
- GMF
- PV5
- GMF
- 3GD2660R
- PV5S-0
- 3QR
- 3QB
- MV3QR
- 3MA/B0
- 3PA/B
- P/M/B
- NP/NAP/NVP
- 4F*0EX
- 4F*0E
- HMV
- HSV
- 2QV
- 3QV
- SKH
- PCD
- Silencer
- TotAirSys (Total Air)
- TotAirSys (Gamma)
- Ending

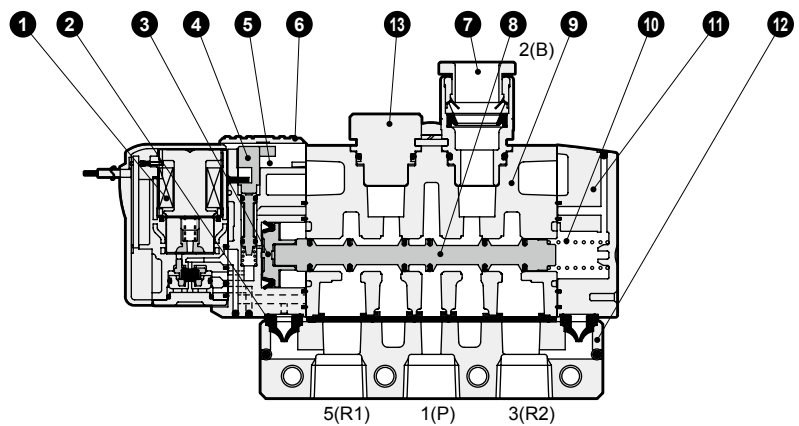
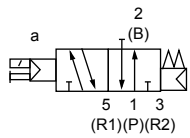
3GD210R/3GD310R

- 2-position single: Normally closed
- Grommet lead wire (blank)



3GD2110R/3GD3110R

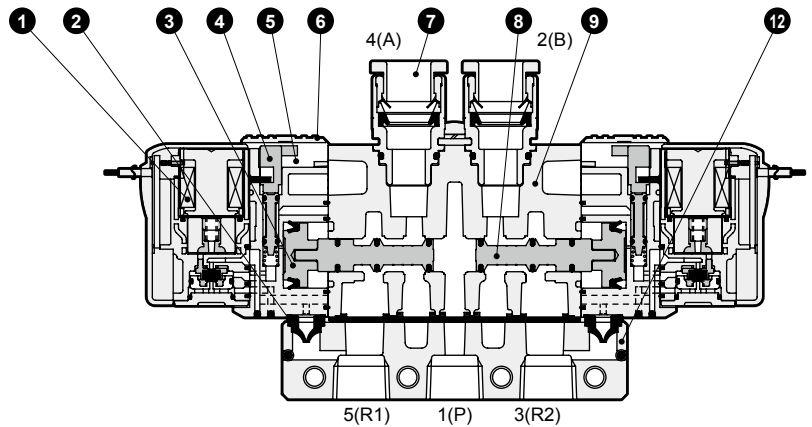
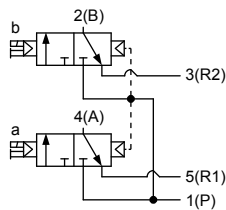
- 2-position single: Normally open
- Grommet lead wire (blank)



3GD2660R

- Two 3-port valves integrated
- Grommet lead wire (blank)

A side valve: Normally closed,
B side valve: Normally closed



Main parts list

No.	Part name	Material
1	Coil assembly	-
2	Pilot exhaust check valve	Hydrogenated nitrile rubber
3	Piston assembly	-
4	Manual override	Resin
5	Piston chamber	Resin
6	Manual protection cover	Resin
7	Cartridge push-in fitting	-
8	Spool assembly	-
9	Body	Aluminum alloy die-casting
10	Spool spring	Stainless steel
11	Cap	Resin
12	Pipe adaptor	Aluminum alloy die-casting
13	Plug cartridge	Aluminum

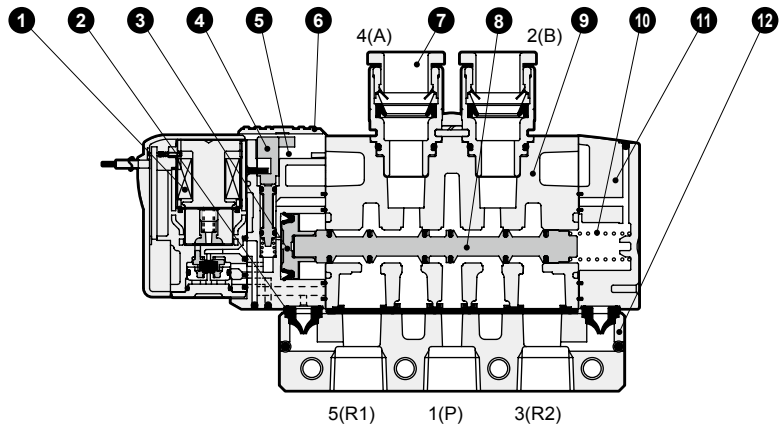
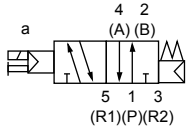
Parts list

No.	Part name	Model No.		
1	Coil assembly	4GR - electrical connections - □ - COIL - voltage Blank: Standard A: Ozone specifications Blank: Grommet lead wire		
7	Cartridge push-in fitting and related parts	3G2	φ4 straight	4G2R-JOINT-C4
			φ6 straight	4G2R-JOINT-C6
			φ8 straight	4G2R-JOINT-C8
		3G3	Plug cartridge	4G2R-JOINT-CPG
			3G3	φ6 straight
φ8 straight	4G3R-JOINT-C8			
φ10 straight	4G3R-JOINT-C10			
	Plug cartridge	4G3R-JOINT-CPG		

Internal structure and parts list

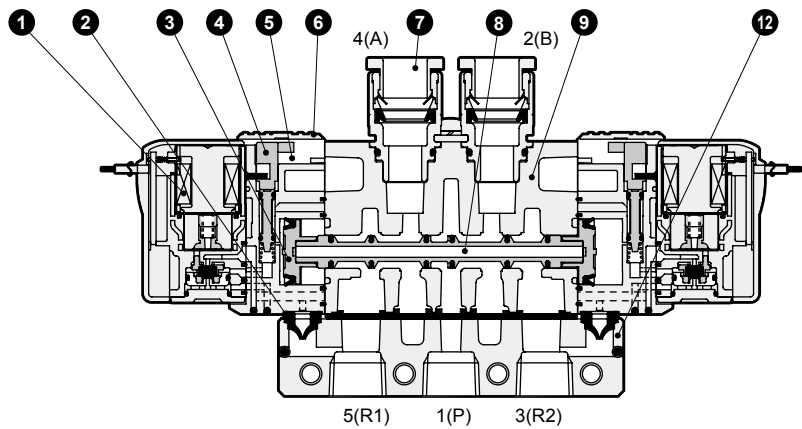
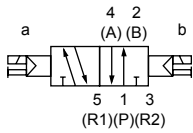
4GD210R/4GD310R

- 2-position single
- Grommet lead wire (blank)



4GD220R/4GD320R

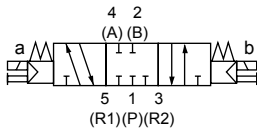
- 2-position double
- Grommet lead wire (blank)



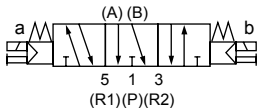
4GD2₃0R/4GD3₃0R

- 3-position
- Grommet lead wire (blank)

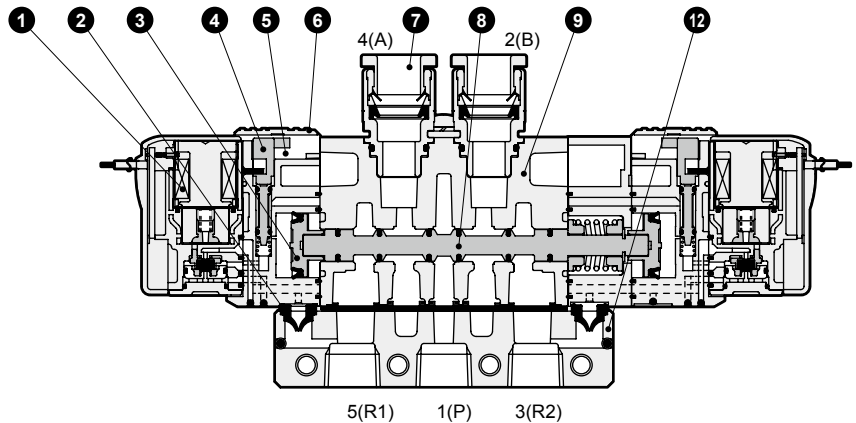
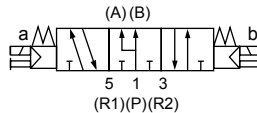
All ports closed



A/B/R connection



P/A/B connection



Main parts list

No.	Part name	Material
1	Coil assembly	-
2	Pilot exhaust check valve	Hydrogenated nitrile rubber
3	Piston D assembly	-
4	Manual override	Resin
5	Piston chamber	Resin
6	Manual protection cover	Resin
7	Cartridge push-in fitting	-
8	Spool assembly	-
9	Body	Aluminum alloy die-casting
10	Spool spring	Stainless steel
11	Cap	Resin
12	Pipe adaptor	Aluminum alloy die-casting

Parts list

No.	Part name	Model No.
1	Coil assembly	4GR -electrical connections- □ - COIL -voltage
		Blank: Standard A: Ozone specifications Blank: Grommet lead wire
7	Cartridge push-in fitting and related parts	4G2 φ4 straight 4G2R-JOINT-C4
		4G2 φ6 straight 4G2R-JOINT-C6
		4G2 φ8 straight 4G2R-JOINT-C8
		4G3 φ6 straight 4G3R-JOINT-C6
		4G3 φ8 straight 4G3R-JOINT-C8
		4G3 φ10 straight 4G3R-JOINT-C10

4GA/B
M4GA/B
MN4GA/B
4GA/B (mastr)
4GD/E
M4GD/E
MN4GD/E
4GA4/B4
MN3E MN4E
W4GA/B2
W4GB4
4TB
4L2-4/ LMF0
MN3S0 MN4S0
4SA/B0
4KA/B
4KA/B (mastr)
4F
4F (mastr)
PV5G GMF
PV5 GMF
PV5S-0
3QR 3QB
MV3QR
3MA/B0
3PA/B
P/M/B
NP/NAP/ NVP
4F*0EX
4F*0E
HMV HSV
2QV 3QV
SKH
PCD
Silencer
TotAirSys (Total Air)
TotAirSys (Gamma)
Ending

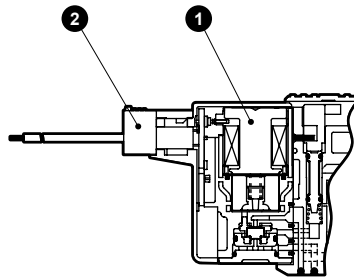
3GD1/2/3 / 4GD1/2/3 Series

Single valve; body piping

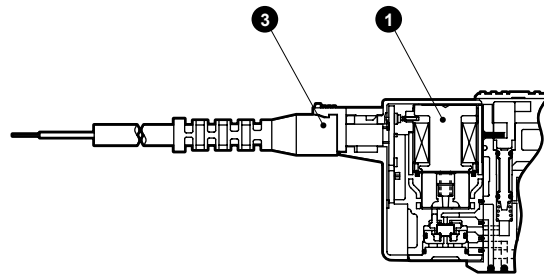
Internal structure and parts list (electrical connections section)

- 4GA/B
- M4GA/B
- MN4GA/B
- 4GA/B (mastr)
- 4GD/E
- M4GD/E
- MN4GD/E
- 4GA4/B4
- MN3E
- MN4E
- W4GA/B2
- W4GB4
- 4TB
- 4L2-4/ LMF0
- MN3S0
- MN4S0
- 4SA/B0
- 4KA/B
- 4KA/B (mastr)
- 4F
- 4F (mastr)
- PV5G
- GMF
- PV5
- GMF
- PV5S-0
- 3QR
- 3QB
- MV3QR
- 3MA/B0
- 3PA/B
- P/M/B
- NP/NAP/ NVP
- 4F*0EX
- 4F*0E
- HMV
- HSV
- 2QV
- 3QV
- SKH
- PCD
- Silencer
- TotAirSys (Total Air)
- TotAirSys (Gamma)
- Ending

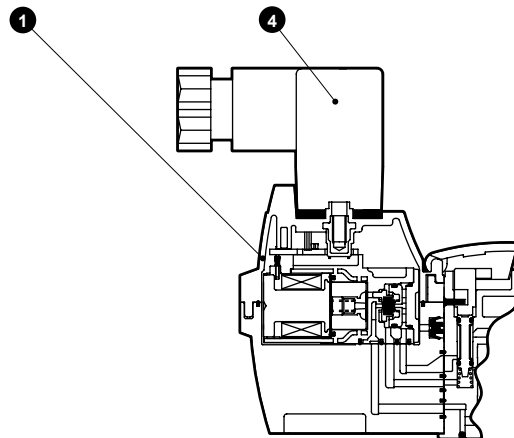
● E type connector E □□



● EJ type connector E □□ J



● DIN terminal box B



Main parts list

No.	Part name	Material
1	Coil assembly	
2	E type connector socket assembly	-
3	Socket assembly with cover	-
4	DIN terminal box assembly	-

Parts list

No.	Part name	Model No.
1	Coil assembly	4GR - <u>electrical connections</u> - □ - COIL - <u>voltage</u> Blank: Standard A: Ozone proof E* : E type connector E*J: Socket with cover type B* : DIN terminal box B includes the DIN terminal box BN does not include the DIN terminal box
2	E type connector socket assembly	4GR-SOCKET-ASSY-E*- <u>Voltage</u>
3	Socket assembly with cover	4GR-SOCKET-ASSY-E**J
4	DIN terminal box assembly	4GR-TERMINAL-BOX- <u>Voltage</u>

MEMO

4GA/B
M4GA/B
MN4GA/B
4GA/B (mastr)
4GD/E
M4GD/E
MN4GD/E
4GA4/B4
MN3E MN4E
W4GA/B2
W4GB4
4TB
4L2-4/ LMF0
MN3S0 MN4S0
4SA/B0
4KA/B
4KA/B (mastr)
4F
4F (mastr)
PV5G GMF
PV5 GMF
PV5S-0
3QR 3QB
MV3QR
3MA/B0
3PA/B
P/M/B
NP/NAP/ NVP
4F*0EX
4F*0E
HMV HSV
2QV 3QV
SKH
PCD
Silencer
TotAirSys (Total Air)
TotAirSys (Gamma)
Ending

3GD1 Series

Single valve; body piping

Dimensions

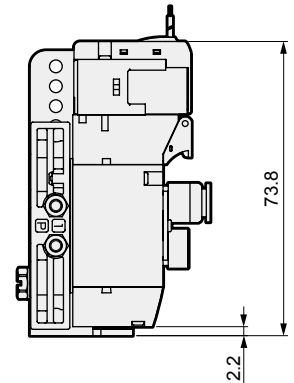
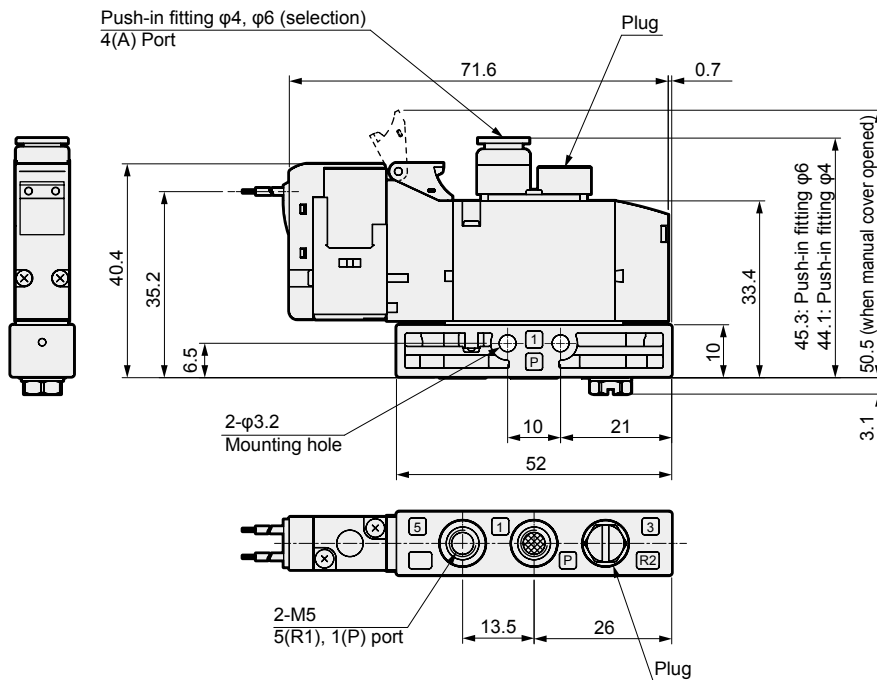
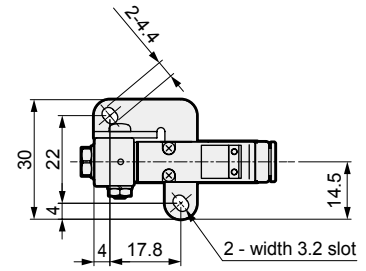
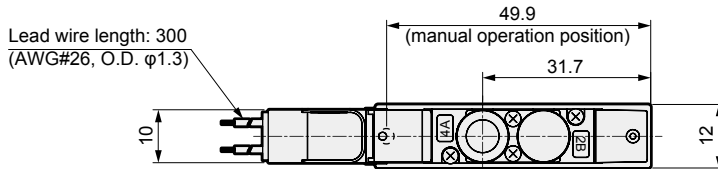
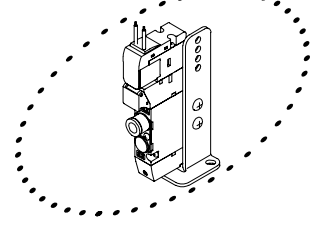
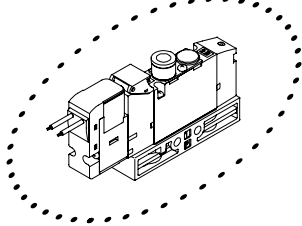


- 4GA/B
- M4GA/B
- MN4GA/B
- 4GA/B (mastr)
- 4GD/E
- M4GD/E
- MN4GD/E
- 4GA4/B4
- MN3E
- MN4E
- W4GA/B2
- W4GB4
- 4TB
- 4L2-4/LMF0
- MN3S0
- MN4S0
- 4SA/B0
- 4KA/B
- 4KA/B (mastr)
- 4F
- 4F (mastr)
- PV5G
- GMF
- PV5
- GMF
- PV5S-0
- 3QR
- 3QB
- MV3QR
- 3MA/B0
- 3PA/B
- P/M/B
- NP/NAP/NVP
- 4F*0EX
- 4F*0E
- HMV
- HSV
- 2QV
- 3QV
- SKH
- PCD
- Silencer
- TotAirSys (Total Air)
- TotAirSys (Gamma)
- Ending

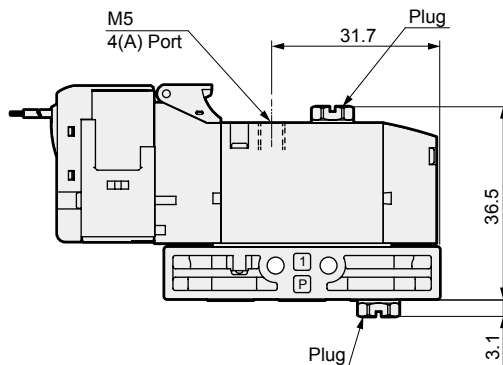
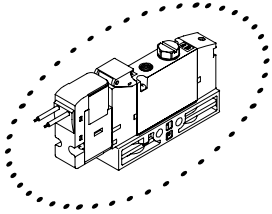
3GD110R

● 2-position single: Normally closed grommet lead wire (blank)

● Mounting plate (P)

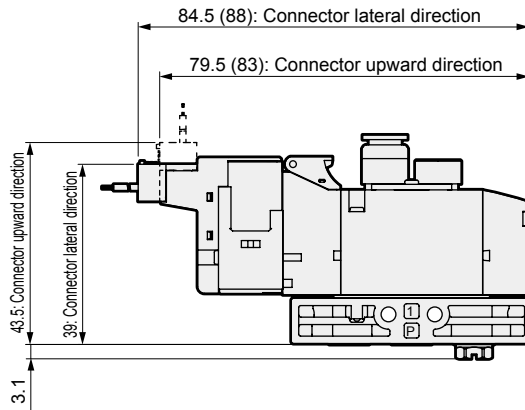
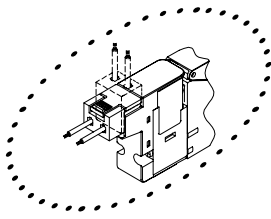


● M5 female thread (M5)



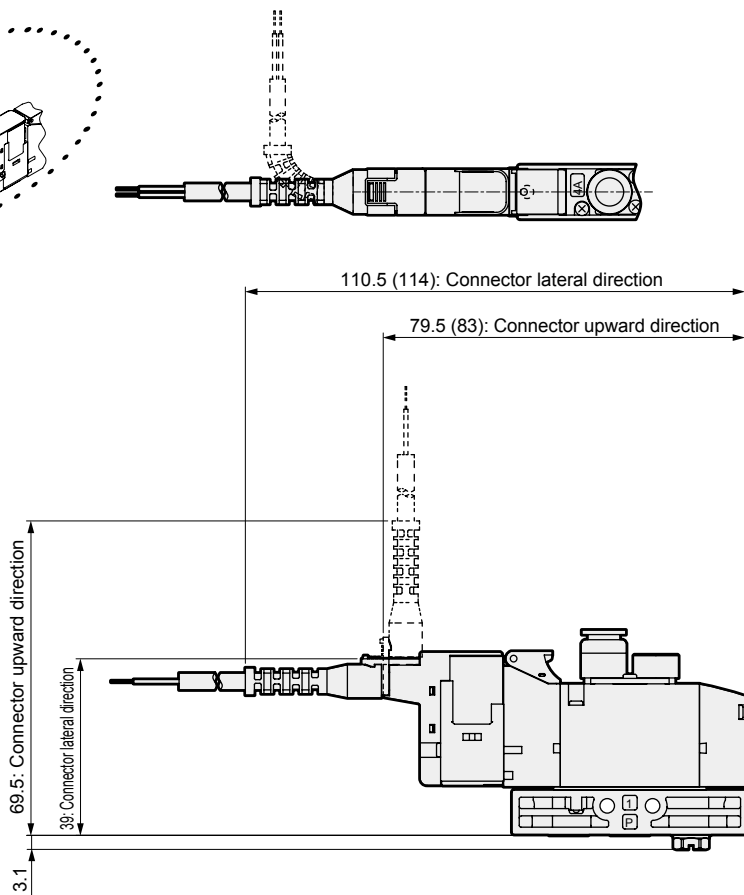
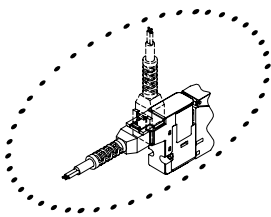
Dimensions

● E type connector (E)



Note: Values in () are for AC voltage.

● EJ type connector (E**J)



Note: Values in () are for AC voltage.

4GA/B
M4GA/B
MN4GA/B
4GA/B (mastr)
4GD/E
M4GD/E
MN4GD/E
4GA4/B4
MN3E
MN4E
W4GA/B2
W4GB4
4TB
4L2-4/LMF0
MN3S0
MN4S0
4SA/B0
4KA/B
4KA/B (mastr)
4F
4F (mastr)
PV5G
GMF
PV5
GMF
PV5S-0
3QR
3QB
MV3QR
3MA/B0
3PA/B
P/M/B
NP/NAP/NVP
4F*0EX
4F*0E
HMV
HSV
2QV
3QV
SKH
PCD
Silencer
TotAirSys (Total Air)
TotAirSys (Gamma)
Ending

3GD1 Series

Single valve; body piping

Dimensions

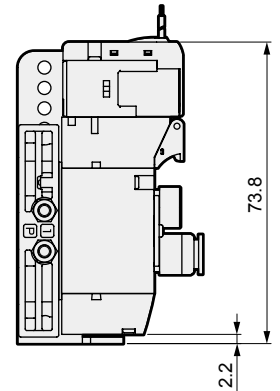
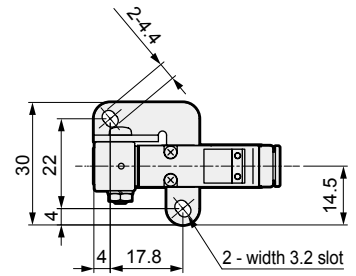
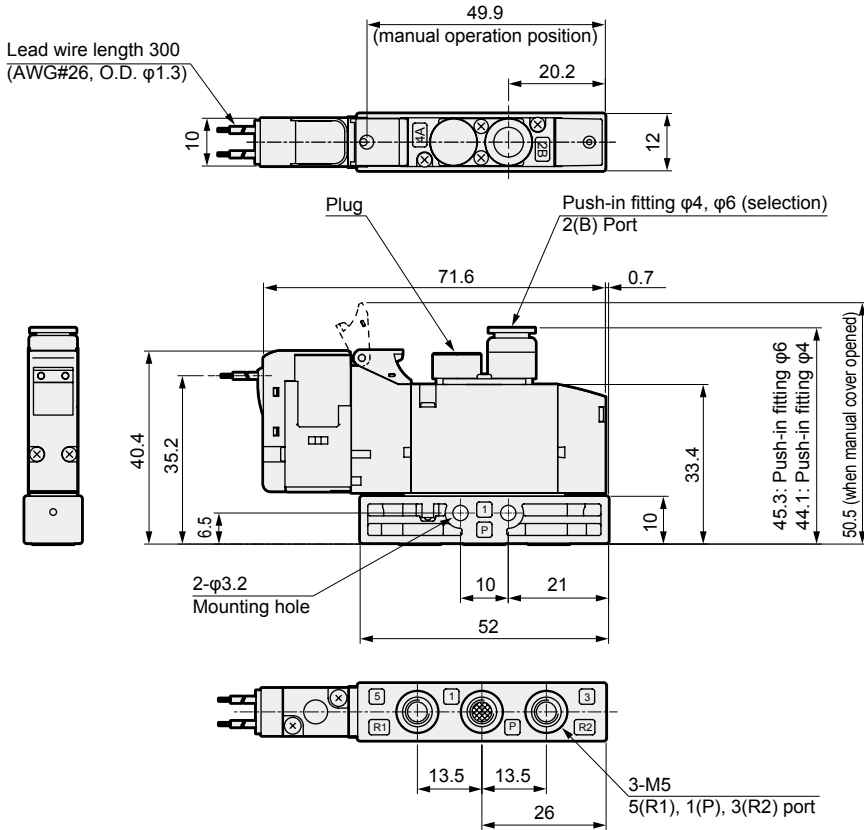
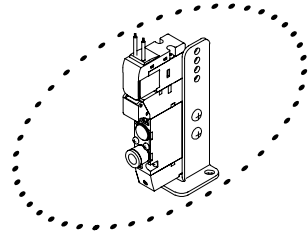
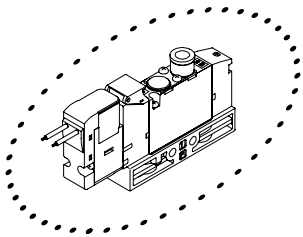


- 4GA/B
- M4GA/B
- MN4GA/B
- 4GA/B (mastr)
- 4GD/E
- M4GD/E
- MN4GD/E
- 4GA4/B4
- MN3E
- MN4E
- W4GA/B2
- W4GB4
- 4TB
- 4L2-4/LMF0
- MN3S0
- MN4S0
- 4SA/B0
- 4KA/B
- 4KA/B (mastr)
- 4F
- 4F (mastr)
- PV5G
- GMF
- PV5
- GMF
- PV5S-0
- 3QR
- 3QB
- MV3QR
- 3MA/B0
- 3PA/B
- P/M/B
- NP/NAP/NVP
- 4F*0EX
- 4F*0E
- HMV
- HSV
- 2QV
- 3QV
- SKH
- PCD
- Silencer
- TotAirSys (Total Air)
- TotAirSys (Gamma)
- Ending

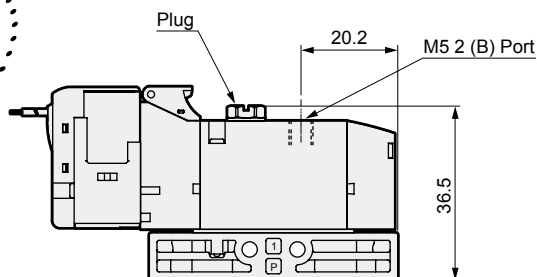
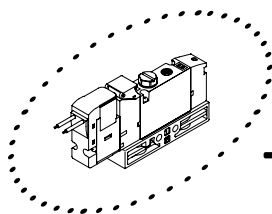
3GD1110R

● 2-position single: Normally open grommet lead wire (blank)

● Mounting plate (P)

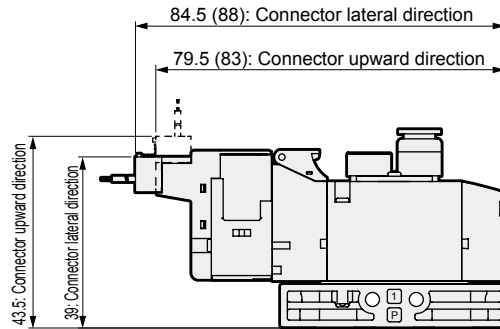
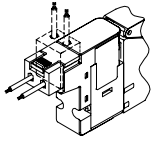


● M5 female thread (M5)



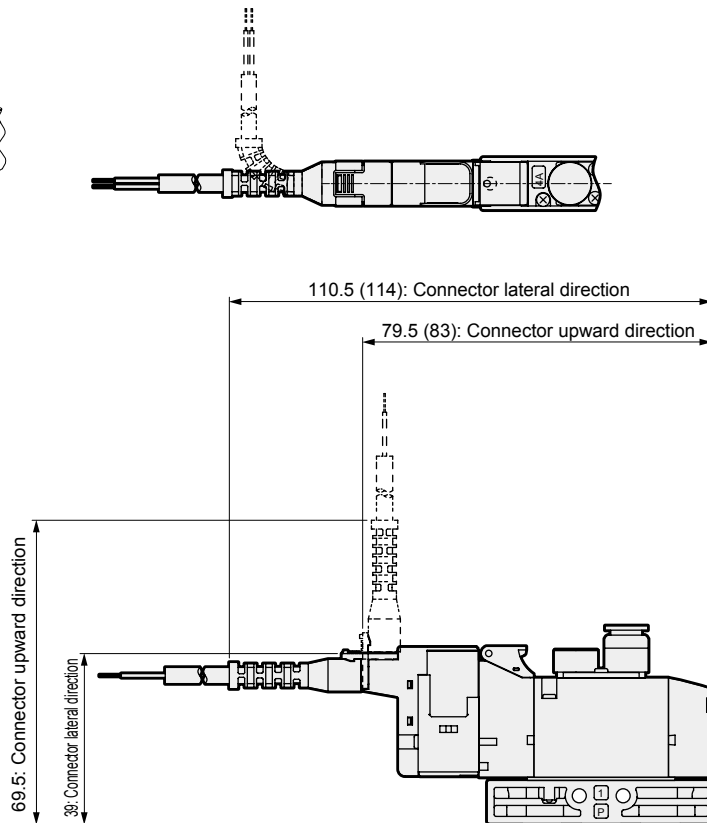
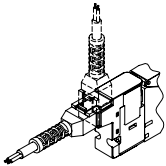
Dimensions

● E type connector (E)



Note: Values in () are for AC voltage.

● EJ type connector (E**J)



Note: Values in () are for AC voltage.

4GA/B
M4GA/B
MN4GA/B
4GA/B (mastr)
4GD/E
M4GD/E
MN4GD/E
4GA4/B4
MN3E
MN4E
W4GA/B2
W4GB4
4TB
4L2-4/LMF0
MN3S0
MN4S0
4SA/B0
4KA/B
4KA/B (mastr)
4F
4F (mastr)
PV5G
GMF
PV5
GMF
PV5S-0
3QR
3QB
MV3QR
3MA/B0
3PA/B
P/M/B
NP/NAP/NVP
4F*0EX
4F*0E
HMV
HSV
2QV
3QV
SKH
PCD
Silencer
TotAirSys (Total Air)
TotAirSys (Gamma)
Ending

3GD2 Series

Single valve; body piping

Dimensions

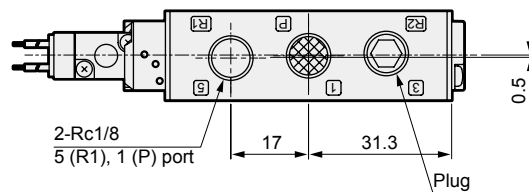
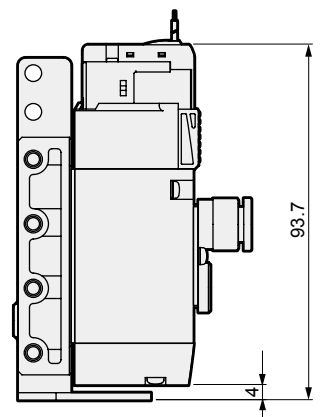
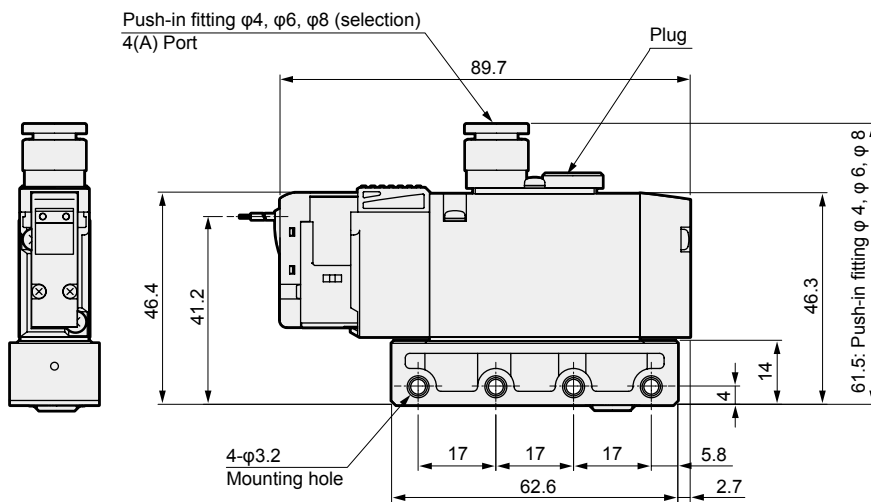
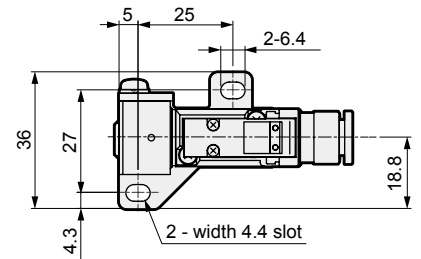
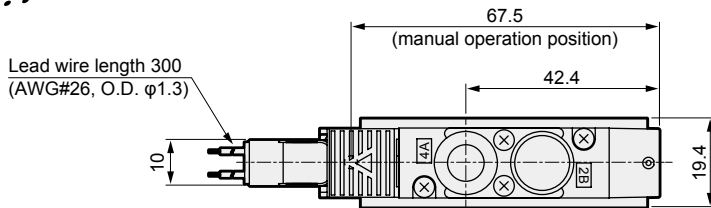
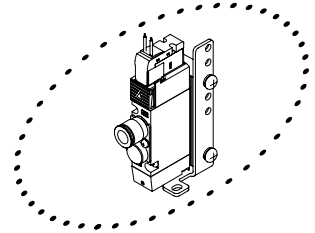
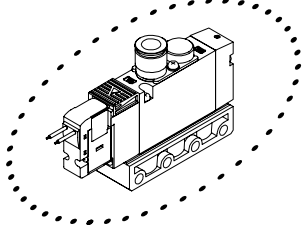


- 4GA/B
- M4GA/B
- MN4GA/B
- 4GA/B (mastr)
- 4GD/E
- M4GD/E
- MN4GD/E
- 4GA4/B4
- MN3E
- MN4E
- W4GA/B2
- W4GB4
- 4TB
- 4L2-4/ LMF0
- MN3S0
- MN4S0
- 4SA/B0
- 4KA/B
- 4KA/B (mastr)
- 4F
- 4F (mastr)
- PV5G GMF
- PV5 GMF
- PV5S-0
- 3QR
- 3QB
- MV3QR
- 3MA/B0
- 3PA/B
- P/M/B
- NP/NAP/ NVP
- 4F*0EX
- 4F*0E
- HMV HSV
- 2QV
- 3QV
- SKH
- PCD
- Silencer
- TotAirSys (Total Air)
- TotAirSys (Gamma)
- Ending

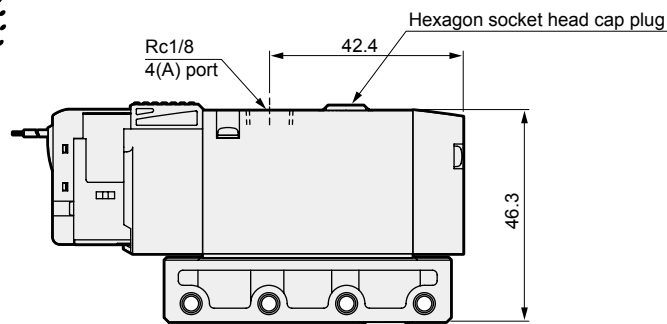
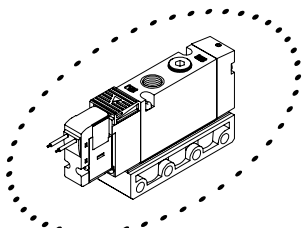
3GD210R

● 2-position single: Normally closed grommet lead wire (blank)

● Mounting plate (P)

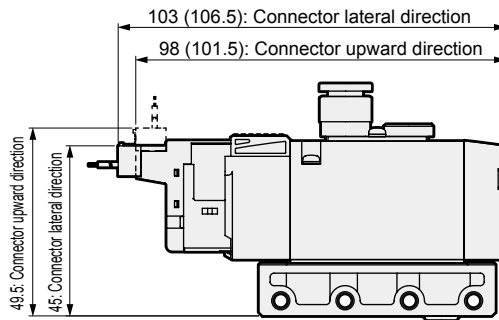
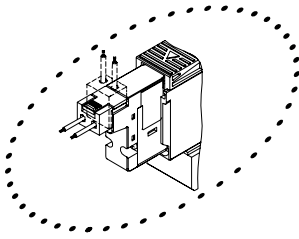


● Rc1/8 female thread (06)



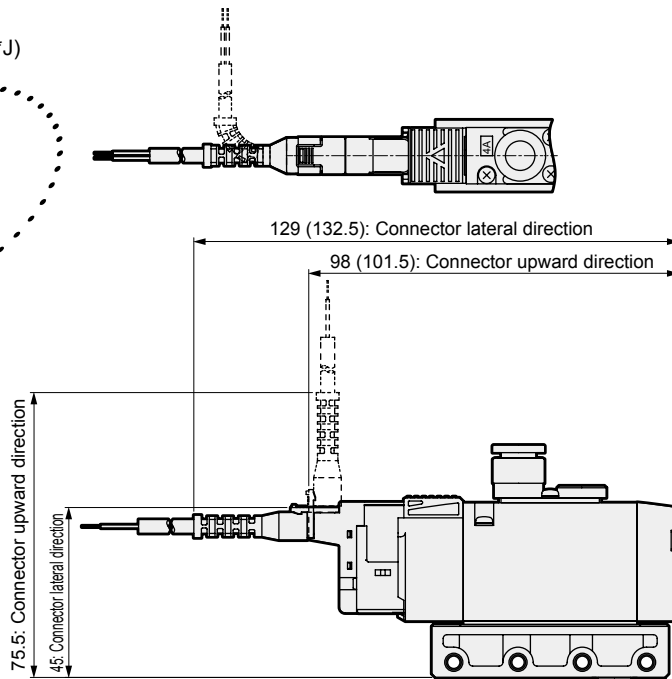
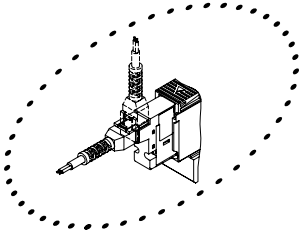
Dimensions

● E type connector (E)



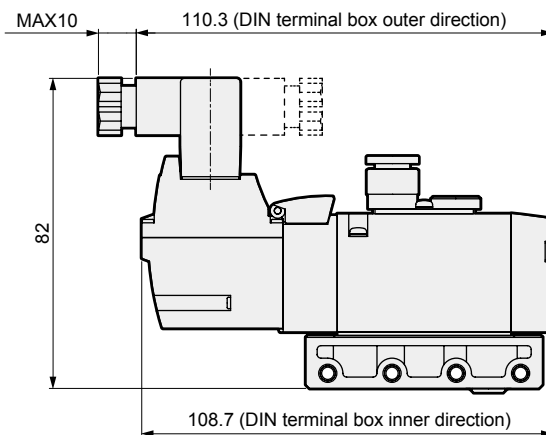
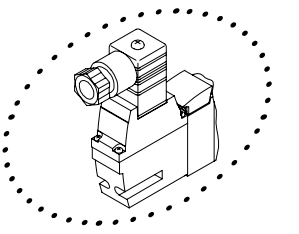
Note: Values in () are for AC voltage.

● EJ type connector (E**J)



Note: Values in () are for AC voltage.

● DIN terminal box (B)



Note: DIN terminal box assembly is shipped facing inward.

4GA/B
M4GA/B
MN4GA/B
4GA/B (mastr)
4GD/E
M4GD/E
MN4GD/E
4GA4/B4
MN3E
MN4E
W4GA/B2
W4GB4
4TB
4L2-4/LMF0
MN3S0
MN4S0
4SA/B0
4KA/B
4KA/B (mastr)
4F
4F (mastr)
PV5G
GMF
PV5
GMF
PV5S-0
3QR
3QB
MV3QR
3MA/B0
3PA/B
P/M/B
NP/NAP/NVP
4F*0EX
4F*0E
HMV
HSV
2QV
3QV
SKH
PCD
Silencer
TotAirSys (Total Air)
TotAirSys (Gamma)
Ending

3GD2 Series

Single valve; body piping

Dimensions

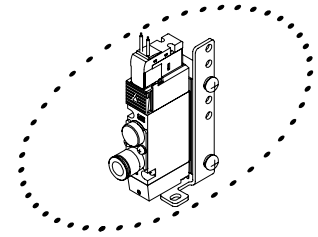
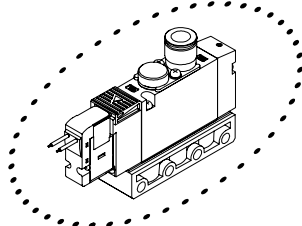


- 4GA/B
- M4GA/B
- MN4GA/B
- 4GA/B (mastr)
- 4GD/E
- M4GD/E
- MN4GD/E
- 4GA4/B4
- MN3E
MN4E
- W4GA/B2
- W4GB4
- 4TB
- 4L2-4/
LMF0
- MN3S0
MN4S0
- 4SA/B0
- 4KA/B
- 4KA/B (mastr)
- 4F
- 4F (mastr)
- PV5G
GMF
- PV5
GMF
- PV5S-0
- 3QR
3QB
- MV3QR
- 3MA/B0
- 3PA/B
- P/M/B
- NP/NAP/
NVP
- 4F*0EX
- 4F*0E
- HMV
HSV
- 2QV
3QV
- SKH
- PCD
- Silencer
- TotAirSys
(Total Air)
- TotAirSys
(Gamma)
- Ending

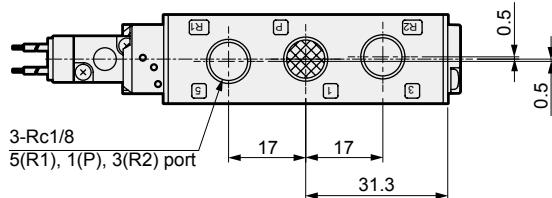
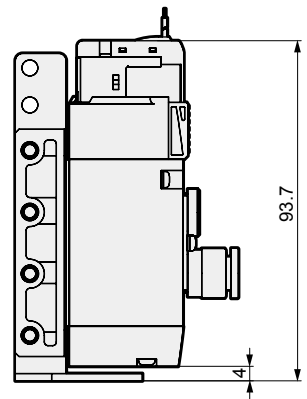
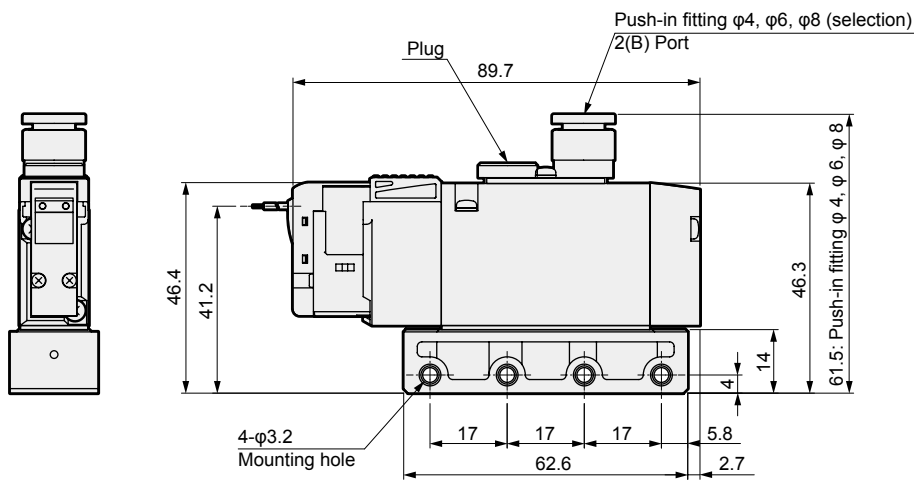
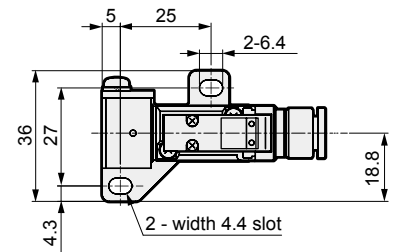
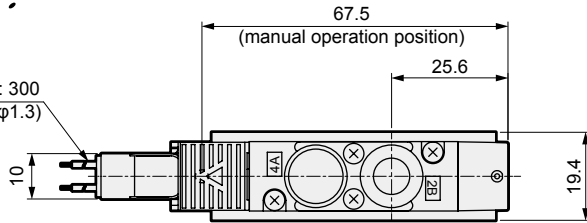
3GD2110R

● 2-position single: Normally open grommet lead wire (blank)

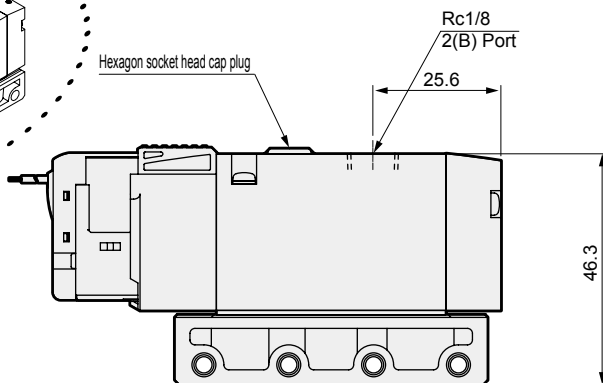
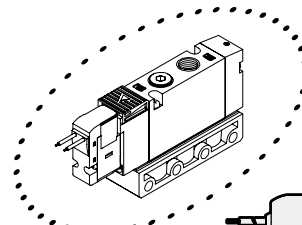
● Mounting plate (P)



Lead wire length: 300
(AWG#26, O.D. ϕ 1.3)

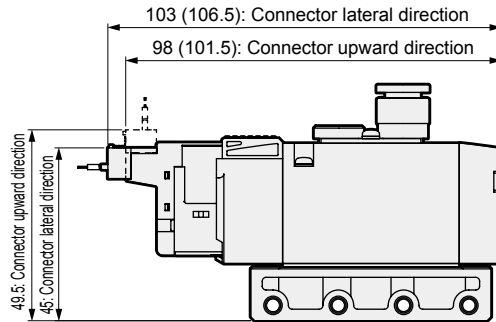
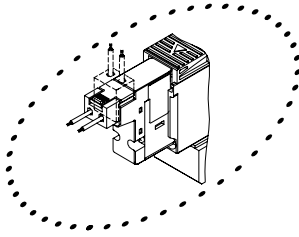


● Rc1/8 female thread (06)



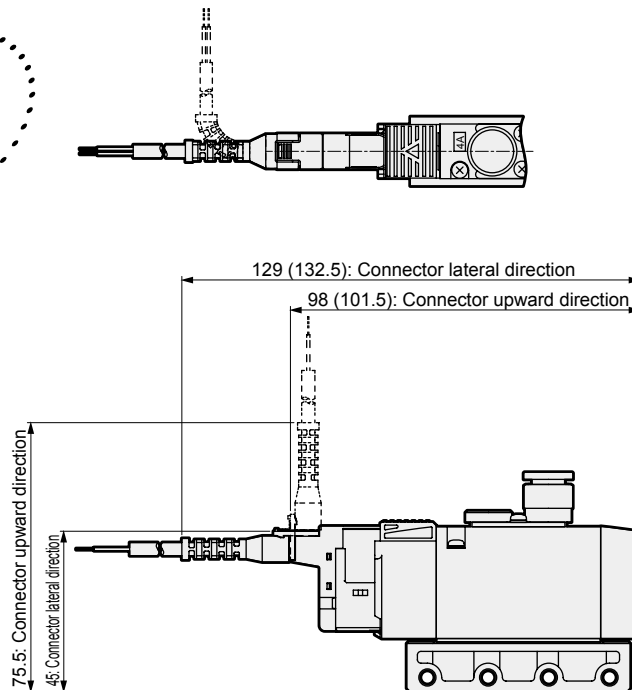
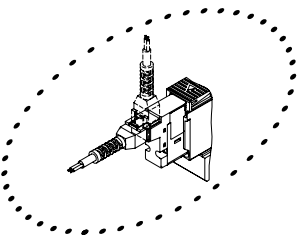
Dimensions

● E type connector (E)



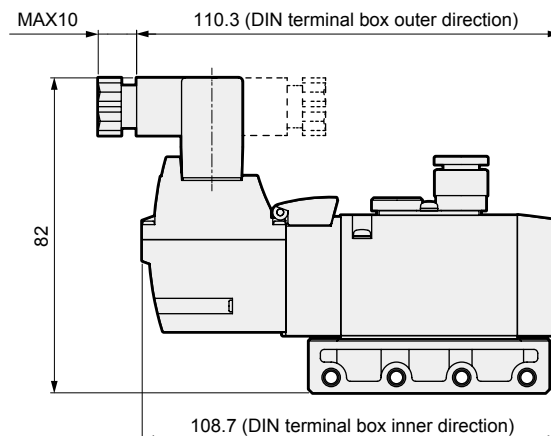
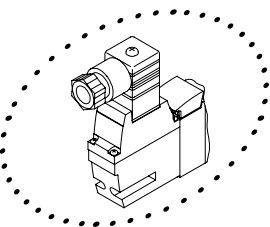
Note: Values in () are for AC voltage.

● EJ type connector (E**J)



Note: Values in () are for AC voltage.

● DIN terminal box (B)



Note: DIN terminal box assembly is shipped facing inward.

4GA/B
M4GA/B
MN4GA/B
4GA/B (mastr)
4GD/E
M4GD/E
MN4GD/E
4GA4/B4
MN3E
MN4E
W4GA/B2
W4GB4
4TB
4L2-4/LMF0
MN3S0
MN4S0
4SA/B0
4KA/B
4KA/B (mastr)
4F
4F (mastr)
PV5G
GMF
PV5
GMF
PV5S-0
3QR
3QB
MV3QR
3MA/B0
3PA/B
P/M/B
NP/NAP/NVP
4F*0EX
4F*0E
HMV
HSV
2QV
3QV
SKH
PCD
Silencer
TotAirSys (Total Air)
TotAirSys (Gamma)
Ending

3GD3 Series

Single valve; body piping

Dimensions

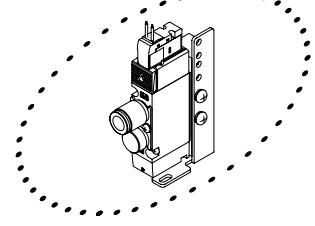
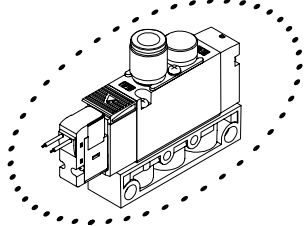


- 4GA/B
- M4GA/B
- MN4GA/B
- 4GA/B (mastr)
- 4GD/E
- M4GD/E
- MN4GD/E
- 4GA4/B4
- MN3E
MN4E
- W4GA/B2
- W4GB4
- 4TB
- 4L2-4/
LMF0
- MN3S0
MN4S0
- 4SA/B0
- 4KA/B
- 4KA/B (mastr)
- 4F
- 4F (mastr)
- PV5G
GMF
- PV5
GMF
- PV5S-0
- 3QR
3QB
- MV3QR
- 3MA/B0
- 3PA/B
- P/M/B
- NP/NAP/
NVP
- 4F*0EX
- 4F*0E
- HMV
HSV
- 2QV
3QV
- SKH
- PCD
- Silencer
- TotAirSys
(Total Air)
- TotAirSys
(Gamma)
- Ending

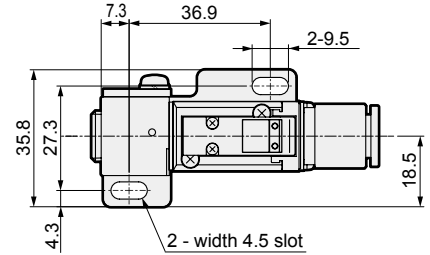
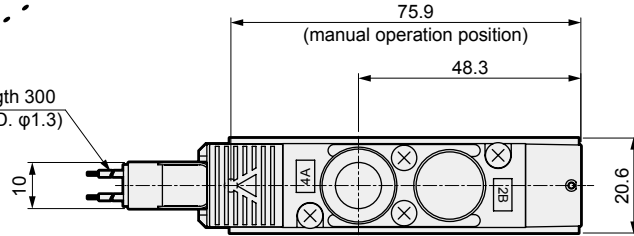
3GD310R

● 2-position single: Normally closed grommet lead wire (blank)

● Mounting plate (P)

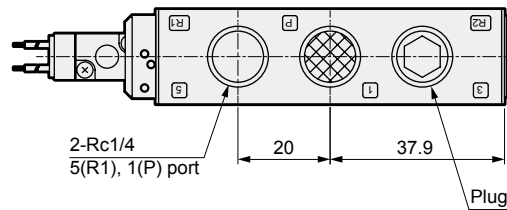
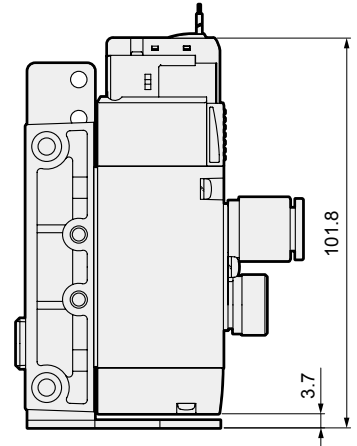
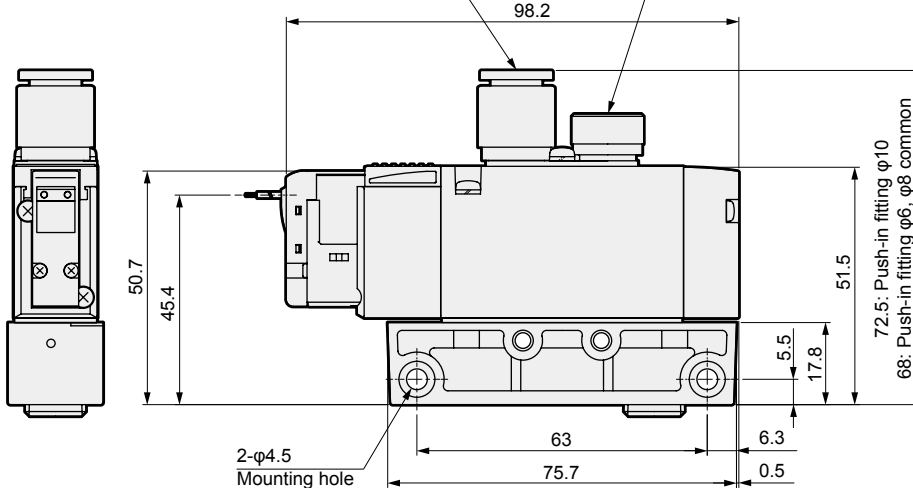


Lead wire length 300
(AWG#26, O.D. ϕ 1.3)

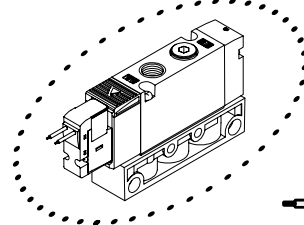


Push-in fitting ϕ 6, ϕ 8, ϕ 10 (selection)
4(A) port

Plug

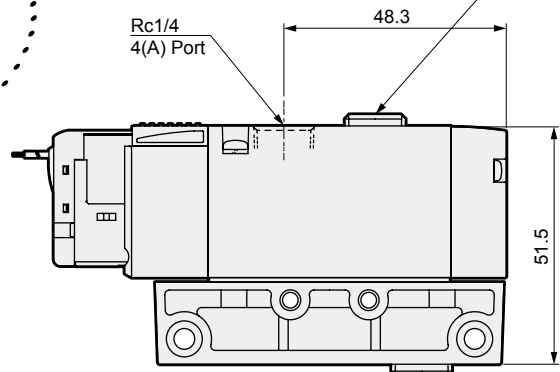


● Rc1/4 female thread (08)



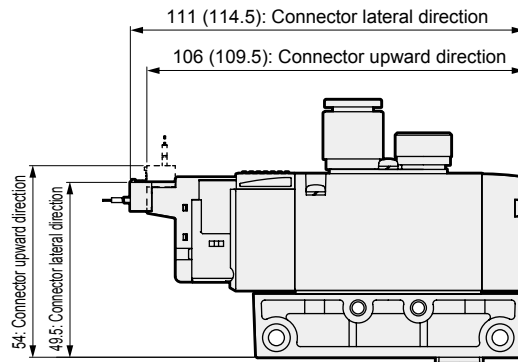
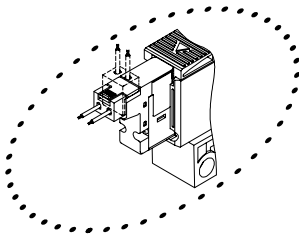
Hexagon socket head cap plug

Rc1/4
4(A) Port



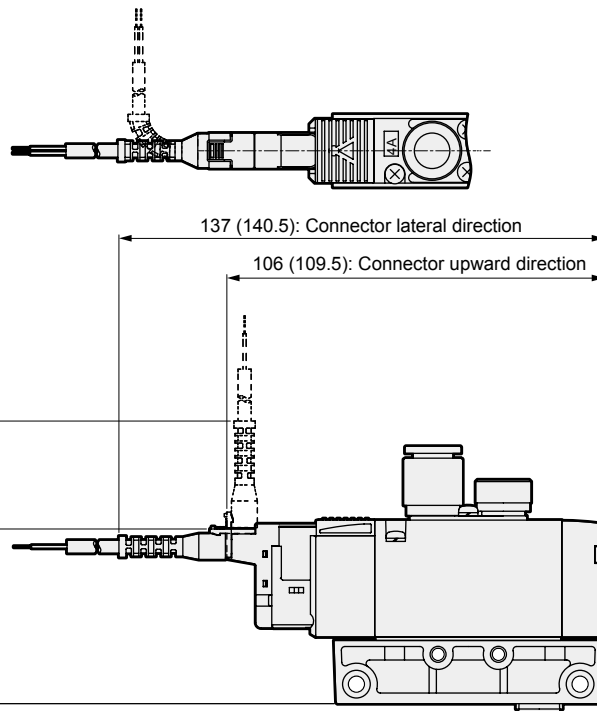
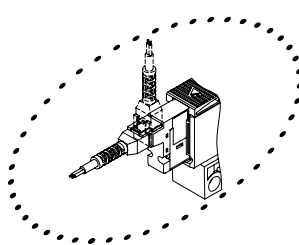
Dimensions

● E type connector (E)



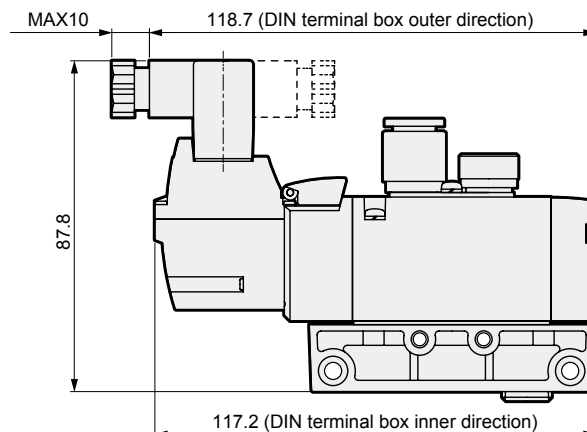
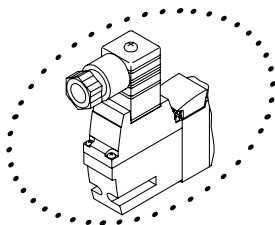
Note: Values in () are for AC voltage.

● EJ type connector (E**J)



Note: Values in () are for AC voltage.

● DIN terminal box (B)



Note: DIN terminal box assembly is shipped facing inward.

4GA/B
M4GA/B
MN4GA/B
4GA/B (mastr)
4GD/E
M4GD/E
MN4GD/E
4GA4/B4
MN3E MN4E
W4GA/B2
W4GB4
4TB
4L2-4/ LMF0
MN3S0 MN4S0
4SA/B0
4KA/B
4KA/B (mastr)
4F
4F (mastr)
PV5G GMF
PV5 GMF
PV5S-0
3QR 3QB
MV3QR
3MA/B0
3PA/B
P/M/B
NP/NAP/ NVP
4F*0EX
4F*0E
HMV HSV
2QV 3QV
SKH
PCD
Silencer
TotAirSys (Total Air)
TotAirSys (Gamma)
Ending

3GD3 Series

Single valve; body piping

Dimensions

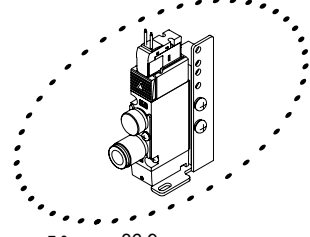
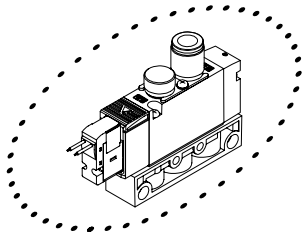


- 4GA/B
- M4GA/B
- MN4GA/B
- 4GA/B (mastr)
- 4GD/E
- M4GD/E
- MN4GD/E
- 4GA4/B4
- MN3E
- MN4E
- W4GA/B2
- W4GB4
- 4TB
- 4L2-4/LMF0
- MN3S0
- MN4S0
- 4SA/B0
- 4KA/B
- 4KA/B (mastr)
- 4F
- 4F (mastr)
- PV5G
- GMF
- PV5
- GMF
- PV5S-0
- 3QR
- 3QB
- MV3QR
- 3MA/B0
- 3PA/B
- P/M/B
- NP/NAP/NVP
- 4F*0EX
- 4F*0E
- HMV
- HSV
- 2QV
- 3QV
- SKH
- PCD
- Silencer
- TotAirSys (Total Air)
- TotAirSys (Gamma)
- Ending

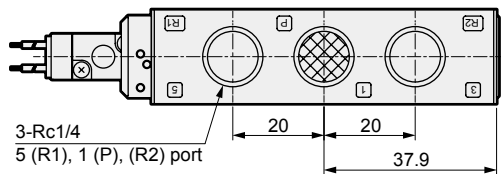
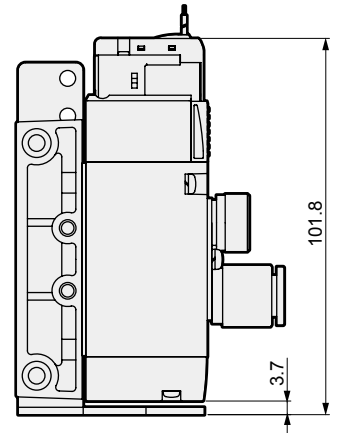
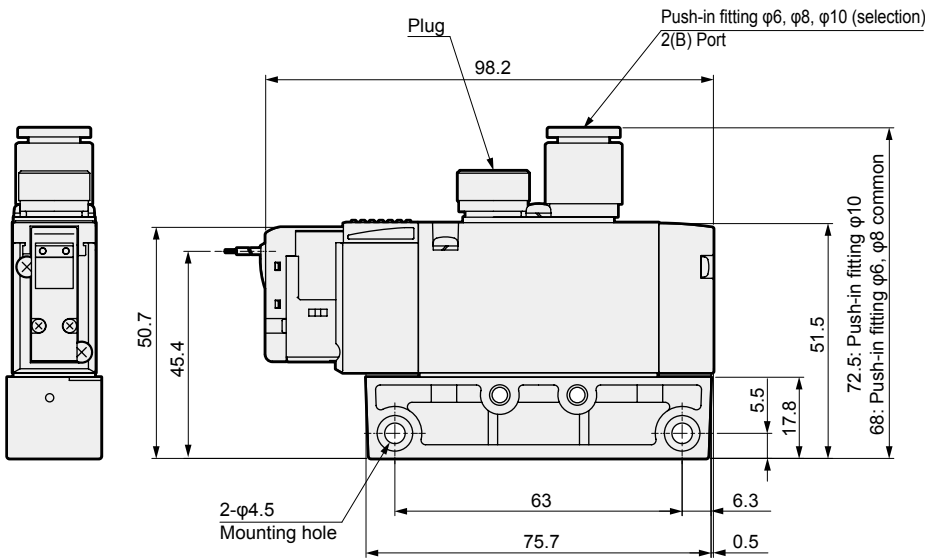
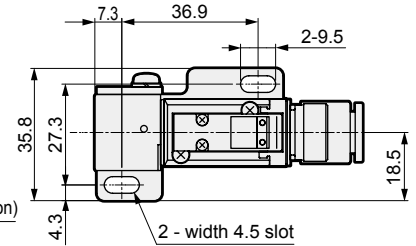
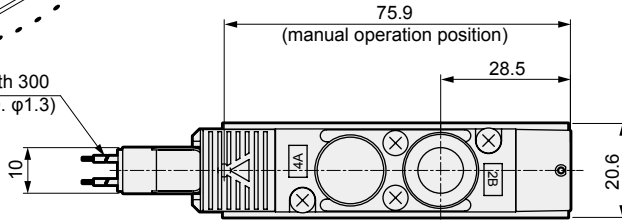
3GD3110R

● 2-position single: Normally open grommet lead wire (blank)

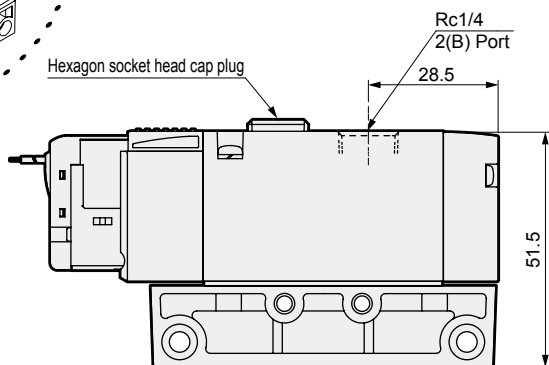
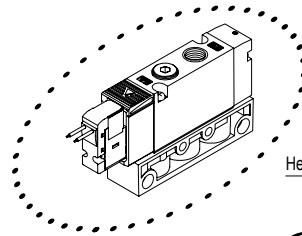
● Mounting plate (P)



Lead wire length 300
(AWG#26, O.D. ϕ 1.3)

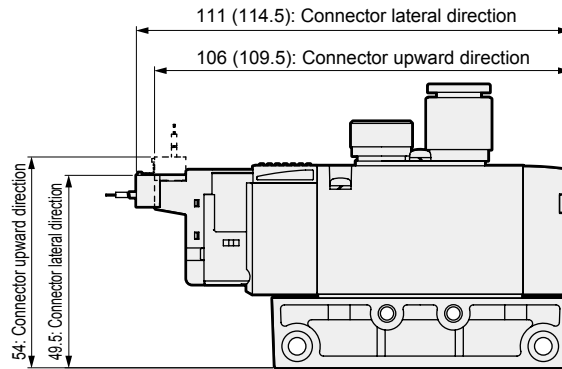
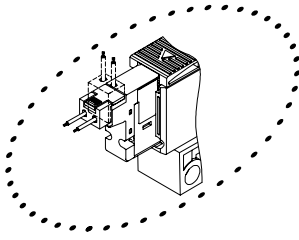


● Rc1/4 female thread (08)



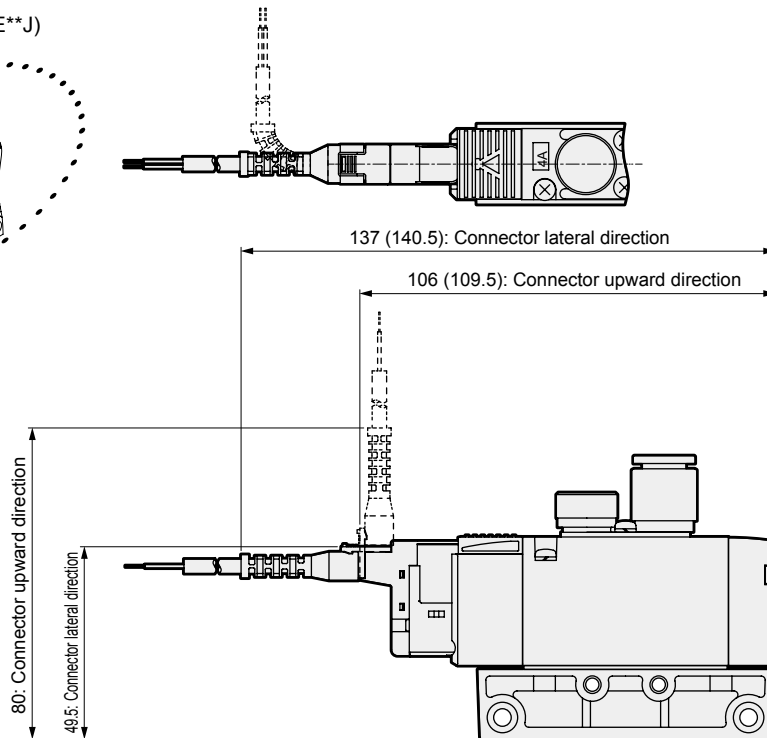
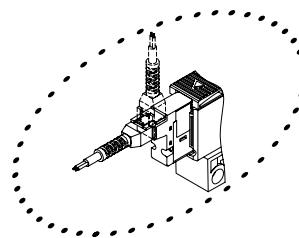
Dimensions

● E type connector (E)



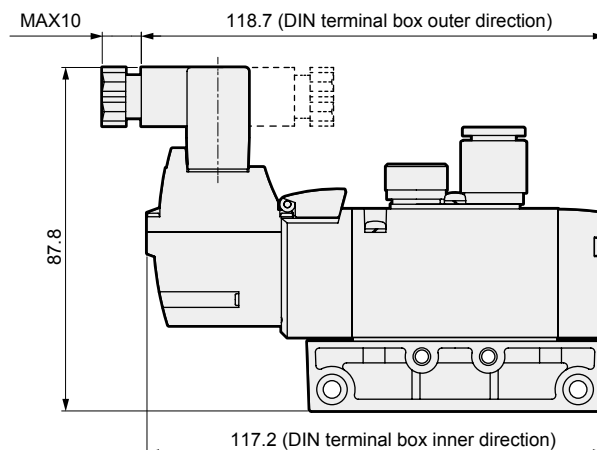
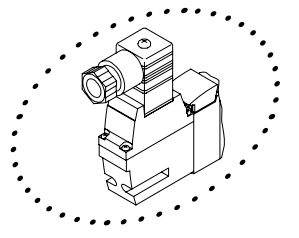
Note: Values in () are for AC voltage.

● EJ type connector (E**J)



Note: Values in () are for AC voltage.

● DIN terminal box (B)



Note: DIN terminal box assembly is shipped facing inward.

4GA/B
M4GA/B
MN4GA/B
4GA/B (mastr)
4GD/E
M4GD/E
MN4GD/E
4GA4/B4
MN3E MN4E
W4GA/B2
W4GB4
4TB
4L2-4/ LMF0
MN3S0 MN4S0
4SA/B0
4KA/B
4KA/B (mastr)
4F
4F (mastr)
PV5G GMF
PV5 GMF
PV5S-0
3QR 3QB
MV3QR
3MA/B0
3PA/B
P/M/B
NP/NAP/ NVP
4F*0EX
4F*0E
HMV HSV
2QV 3QV
SKH
PCD
Silencer
TotAirSys (Total Air)
TotAirSys (Gamma)
Ending

4GD1 Series

Single valve; body piping

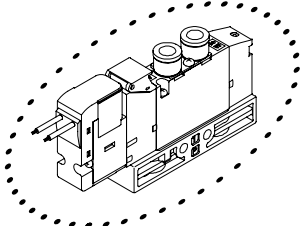
Dimensions



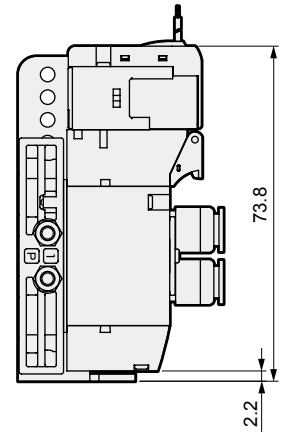
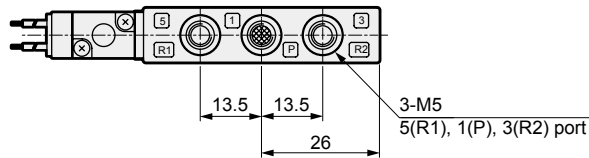
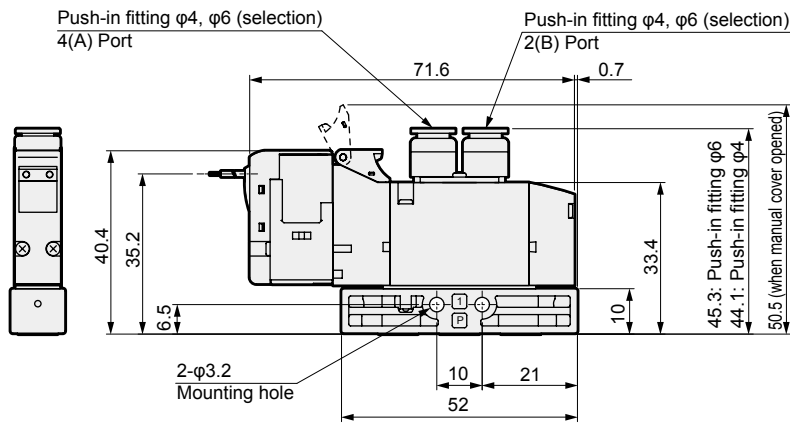
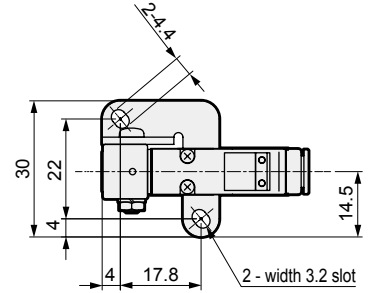
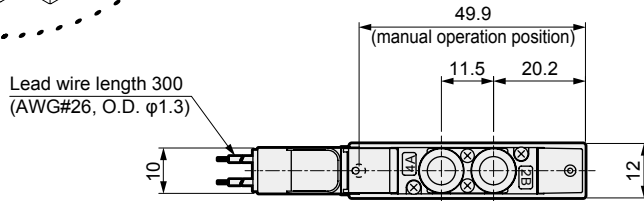
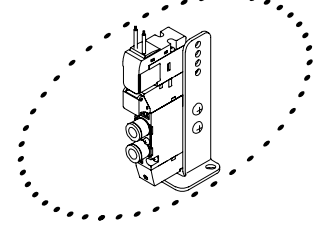
- 4GA/B
- M4GA/B
- MN4GA/B
- 4GA/B (mastr)
- 4GD/E
- M4GD/E
- MN4GD/E
- 4GA4/B4
- MN3E
MN4E
- W4GA/B2
- W4GB4
- 4TB
- 4L2-4/
LMF0
- MN3S0
MN4S0
- 4SA/B0
- 4KA/B
- 4KA/B (mastr)
- 4F
- 4F (mastr)
- PV5G
GMF
- PV5
GMF
- PV5S-0
- 3QR
3QB
- MV3QR
- 3MA/B0
- 3PA/B
- P/M/B
- NP/NAP/
NVP
- 4F*0EX
- 4F*0E
- HMV
HSV
- 2QV
3QV
- SKH
- PCD
- Silencer
- TotAirSys
(Total Air)
- TotAirSys
(Gamma)
- Ending

4GD110R

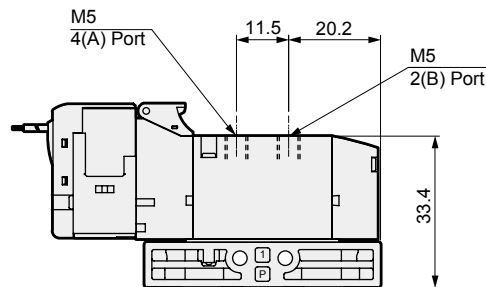
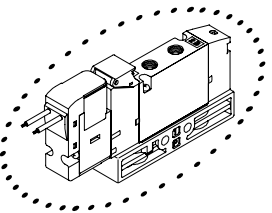
● 2-position single grommet lead wire (blank)



● Mounting plate (P)

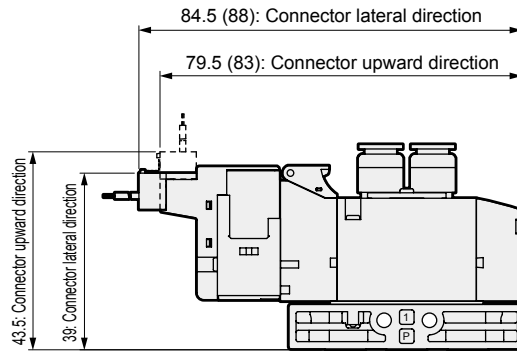
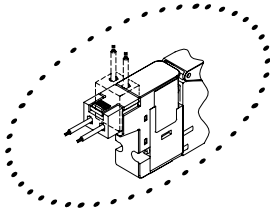


● M5 female thread (M5)



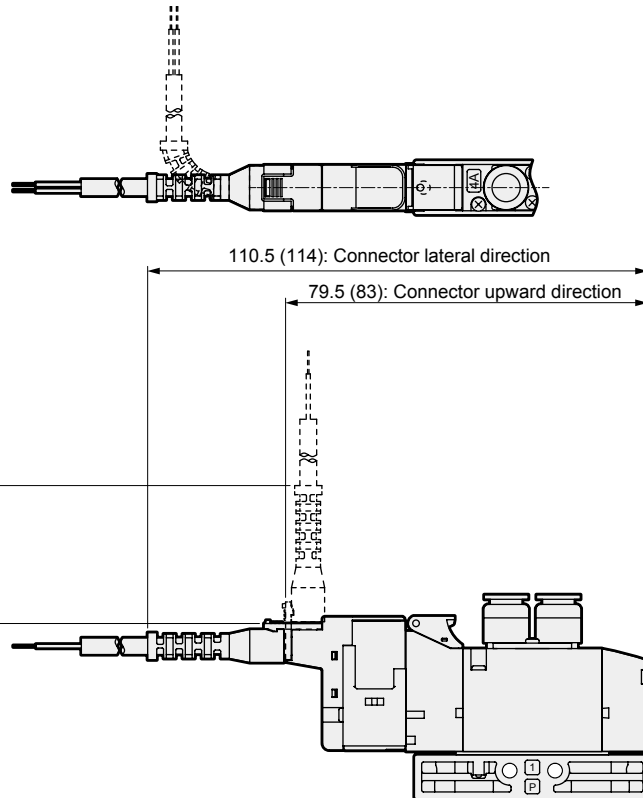
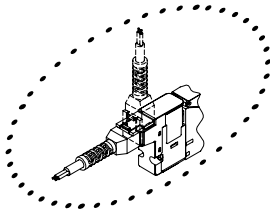
Dimensions

● E type connector (E)



Note: Values in () are for AC voltage.

● EJ type connector (E**J)



Note: Values in () are for AC voltage.

4GA/B
M4GA/B
MN4GA/B
4GA/B (mastr)
4GD/E
M4GD/E
MN4GD/E
4GA4/B4
MN3E
MN4E
W4GA/B2
W4GB4
4TB
4L2-4/LMF0
MN3S0
MN4S0
4SA/B0
4KA/B
4KA/B (mastr)
4F
4F (mastr)
PV5G
GMF
PV5
GMF
PV5S-0
3QR
3QB
MV3QR
3MA/B0
3PA/B
P/M/B
NP/NAP/NVP
4F*0EX
4F*0E
HMV
HSV
2QV
3QV
SKH
PCD
Silencer
TotAirSys (Total Air)
TotAirSys (Gamma)
Ending

4GD1 Series

Single valve; body piping

Dimensions



- 4GA/B
- M4GA/B
- MN4GA/B
- 4GA/B (mastr)
- 4GD/E
- M4GD/E
- MN4GD/E
- 4GA4/B4
- MN3E
- MN4E
- W4GA/B2
- W4GB4
- 4TB
- 4L2-4/ LMF0
- MN3S0
- MN4S0
- 4SA/B0
- 4KA/B
- 4KA/B (mastr)
- 4F
- 4F (mastr)
- PV5G
- GMF
- PV5
- GMF
- PV5S-0
- 3QR
- 3QB
- MV3QR
- 3MA/B0
- 3PA/B
- P/M/B
- NP/NAP/ NVP
- 4F*0EX
- 4F*0E
- HMV
- HSV
- 2QV
- 3QV
- SKH
- PCD
- Silencer
- TotAirSys (Total Air)
- TotAirSys (Gamma)
- Ending

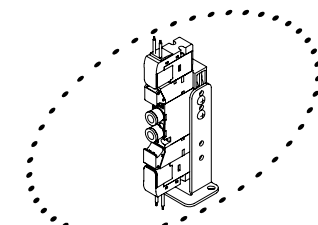
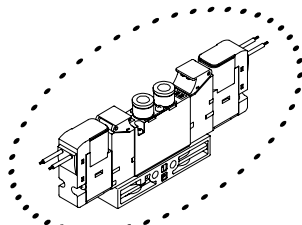
4GD120R

- 2-position double grommet lead wire (blank)

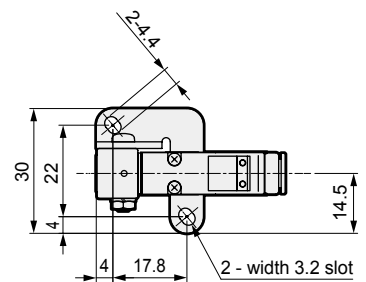
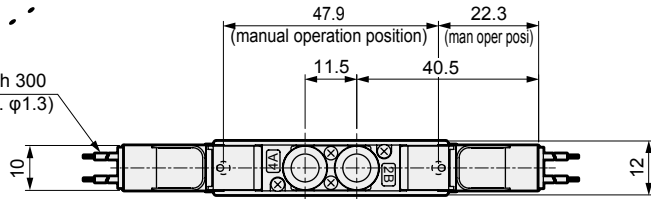
3GD1660R

- Two 3-port valves integrated grommet lead wire (blank)

- Mounting plate (P)

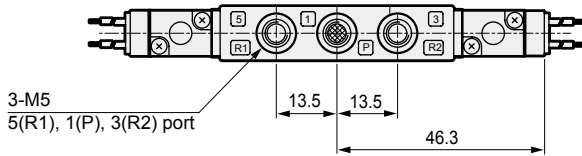
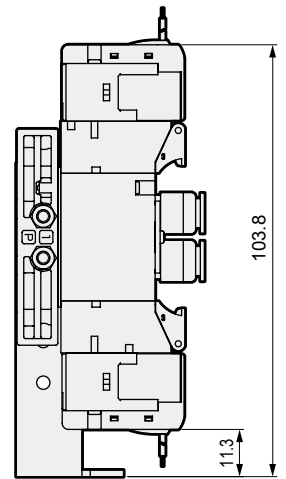
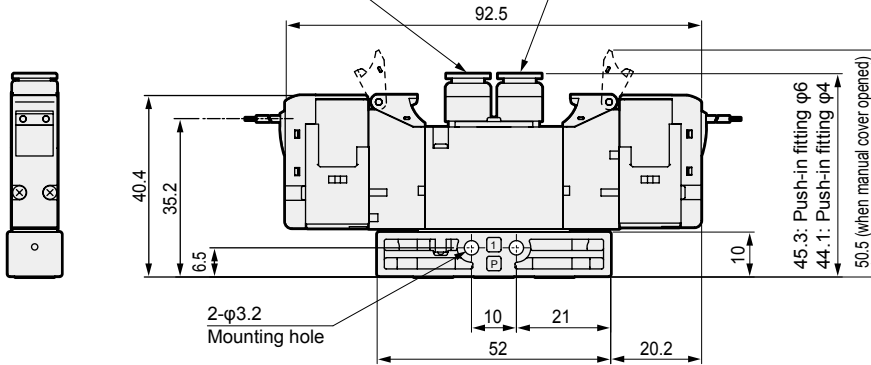


Lead wire length 300
(AWG#26, O.D. φ1.3)

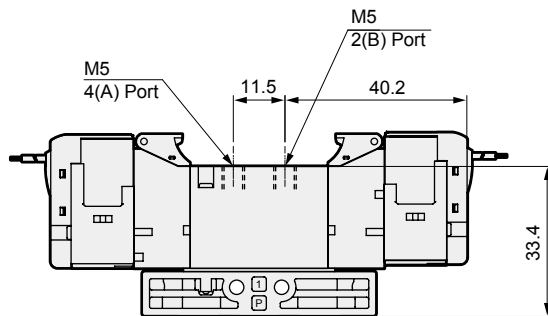
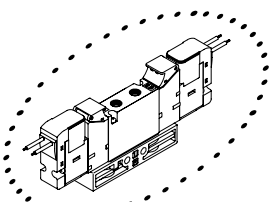


Push-in fitting φ4, φ6 (selection)
4(A) Port

Push-in fitting φ4, φ6 (selection)
2(B) Port

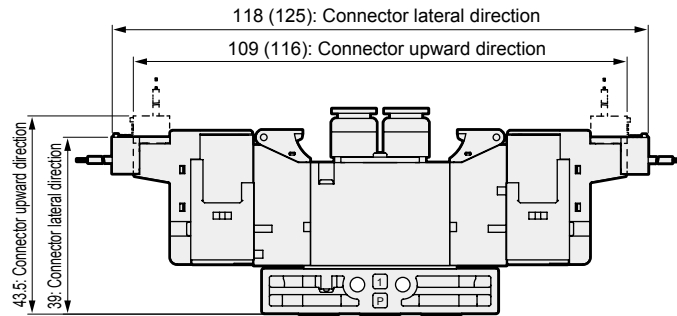
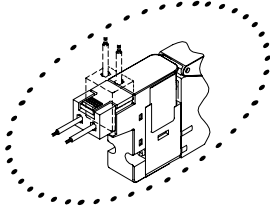


- M5 female thread (M5)



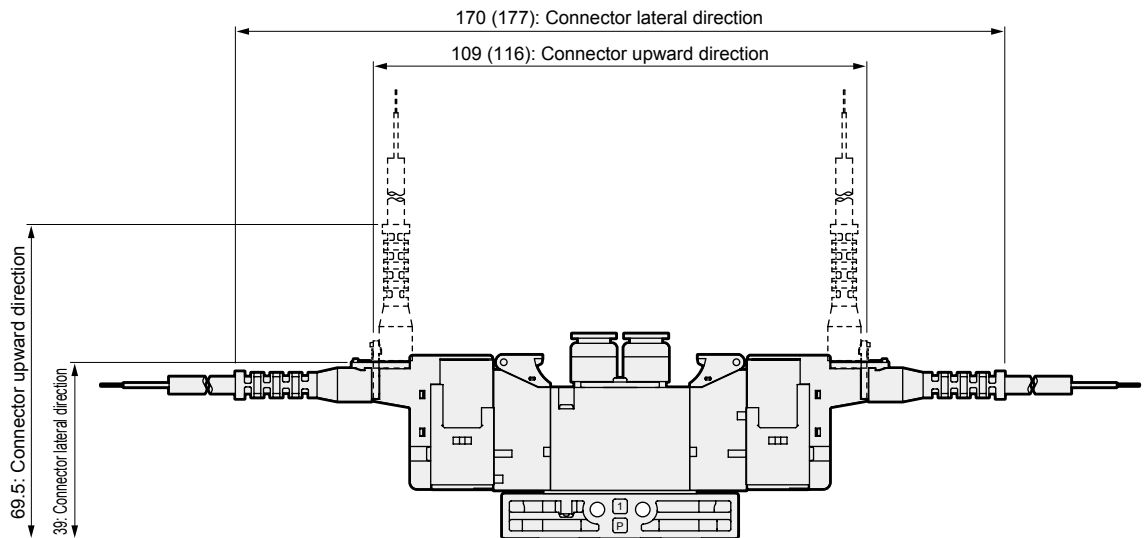
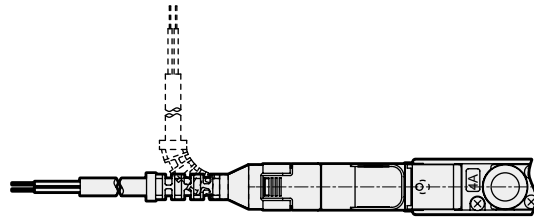
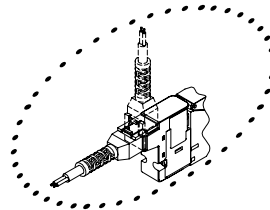
Dimensions

● E type connector (E)



Note: Values in () are for AC voltage.

● EJ type connector (E**J)



Note: Values in () are for AC voltage.

4GA/B
M4GA/B
MN4GA/B
4GA/B (mastr)
4GD/E
M4GD/E
MN4GD/E
4GA4/B4
MN3E MN4E
W4GA/B2
W4GB4
4TB
4L2-4/ LMF0
MN3S0 MN4S0
4SA/B0
4KA/B
4KA/B (mastr)
4F
4F (mastr)
PV5G GMF
PV5 GMF
PV5S-0
3QR 3QB
MV3QR
3MA/B0
3PA/B
P/M/B
NP/NAP/ NVP
4F*0EX
4F*0E
HMV HSV
2QV 3QV
SKH
PCD
Silencer
TotAirSys (Total Air)
TotAirSys (Gamma)
Ending

4GD1 Series

Single valve; body piping

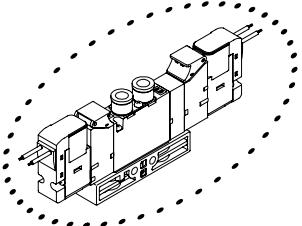
Dimensions



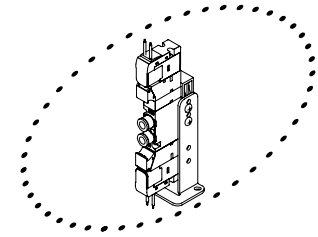
- 4GA/B
- M4GA/B
- MN4GA/B
- 4GA/B (mastr)
- 4GD/E
- M4GD/E
- MN4GD/E
- 4GA4/B4
- MN3E
- MN4E
- W4GA/B2
- W4GB4
- 4TB
- 4L2-4/ LMF0
- MN3S0
- MN4S0
- 4SA/B0
- 4KA/B
- 4KA/B (mastr)
- 4F
- 4F (mastr)
- PV5G GMF
- PV5 GMF
- PV5S-0
- 3QR
- 3QB
- MV3QR
- 3MA/B0
- 3PA/B
- P/M/B
- NP/NAP/ NVP
- 4F*0EX
- 4F*0E
- HMV
- HSV
- 2QV
- 3QV
- SKH
- PCD
- Silencer
- TotAirSys (Total Air)
- TotAirSys (Gamma)
- Ending

4GD1³0R

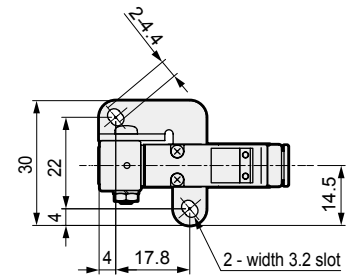
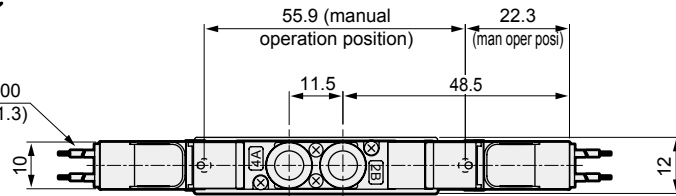
● 3-position grommet lead wire (blank)



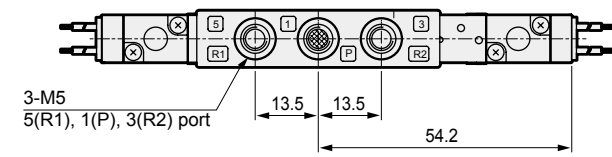
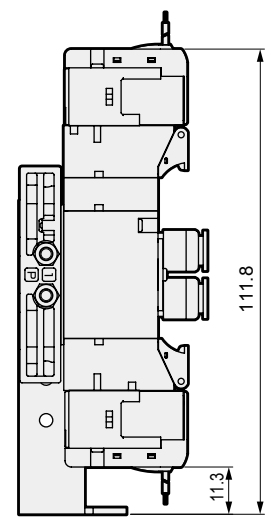
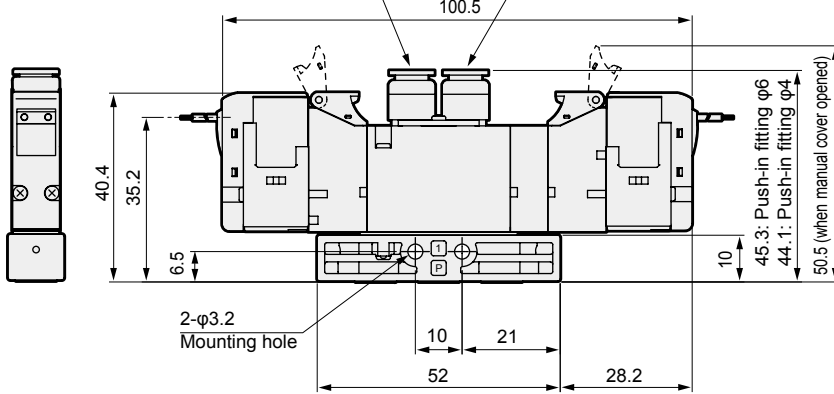
● Mounting plate (P)



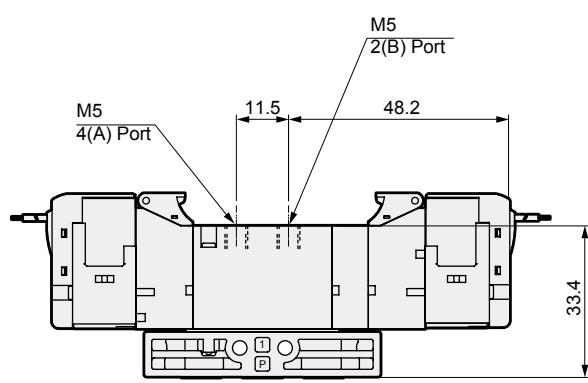
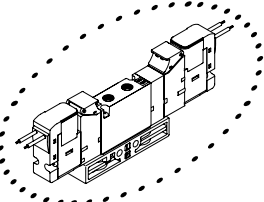
Lead wire length 300 (AWG#26, O.D. φ1.3)



Push-in fitting φ4, φ6 (selection) 4(A) Port
 Push-in fitting φ4, φ6 (selection) 2(B) Port

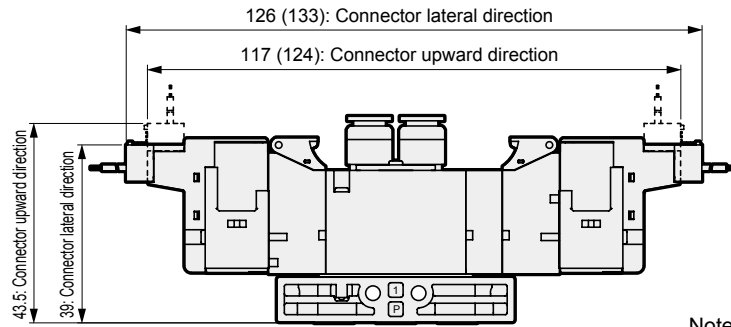
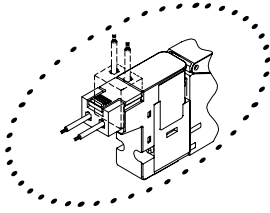


● M5 female thread (M5)



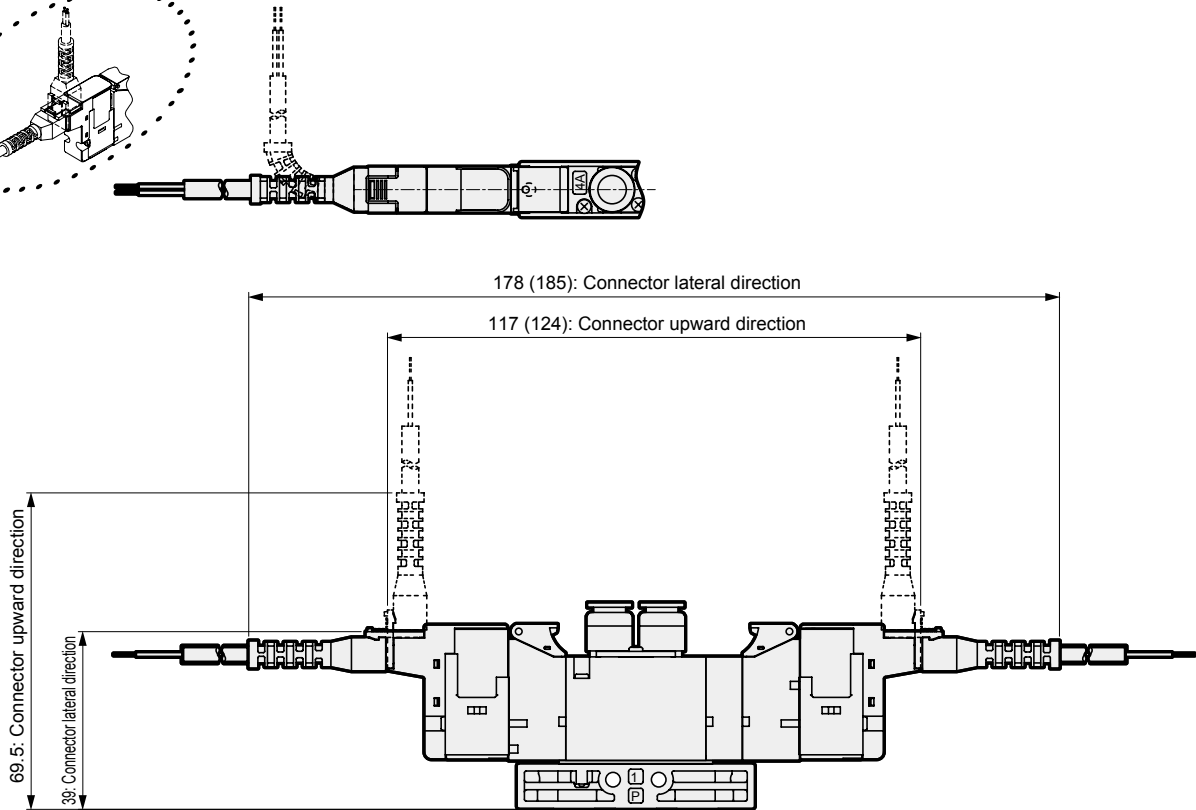
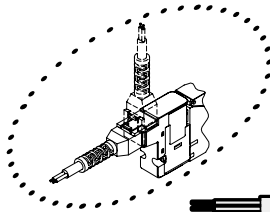
Dimensions

● E type connector (E)



Note: Values in () are for AC voltage.

● EJ type connector (E**J)



Note: Values in () are for AC voltage.

4GA/B
M4GA/B
MN4GA/B
4GA/B (mastr)
4GD/E
M4GD/E
MN4GD/E
4GA4/B4
MN3E MN4E
W4GA/B2
W4GB4
4TB
4L2-4/ LMF0
MN3S0 MN4S0
4SA/B0
4KA/B
4KA/B (mastr)
4F
4F (mastr)
PV5G GMF
PV5 GMF
PV5S-0
3QR 3QB
MV3QR
3MA/B0
3PA/B
P/M/B
NP/NAP/ NVP
4F*0EX
4F*0E
HMV HSV
2QV 3QV
SKH
PCD
Silencer
TotAirSys (Total Air)
TotAirSys (Gamma)
Ending

4GD2 Series

Single valve; body piping

Dimensions



4GA/B

M4GA/B

MN4GA/B

4GA/B (mastr)

4GD/E

M4GD/E

MN4GD/E

4GA4/B4

MN3E
MN4E

W4GA/B2

W4GB4

4TB

4L2-4/
LMF0

MN3S0
MN4S0

4SA/B0

4KA/B

4KA/B (mastr)

4F

4F (mastr)

PV5G
GMF

PV5
GMF

PV5S-0

3QR
3QB

MV3QR

3MA/B0

3PA/B

P/M/B

NP/NAP/
NVP

4F*0EX

4F*0E

HMV
HSV

2QV
3QV

SKH

PCD

Silencer

TotAirSys
(Total Air)

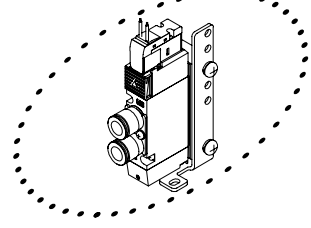
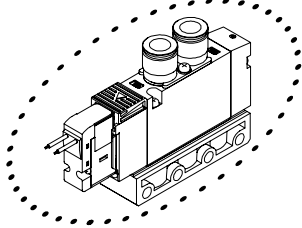
TotAirSys
(Gamma)

Ending

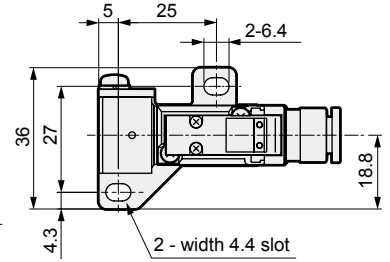
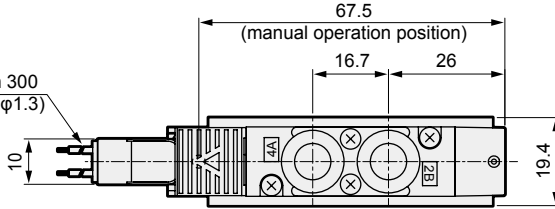
4GD210R

● 2-position single grommet lead wire (blank)

● Mounting plate (P)

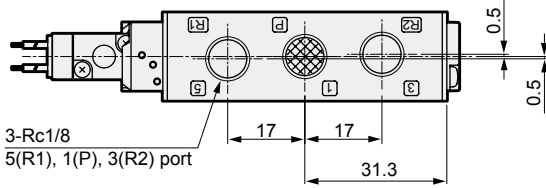
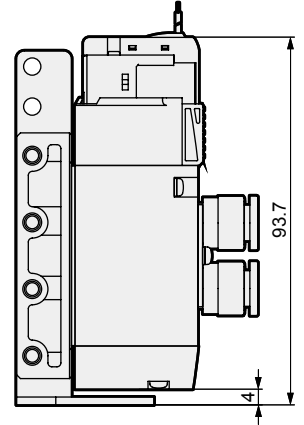
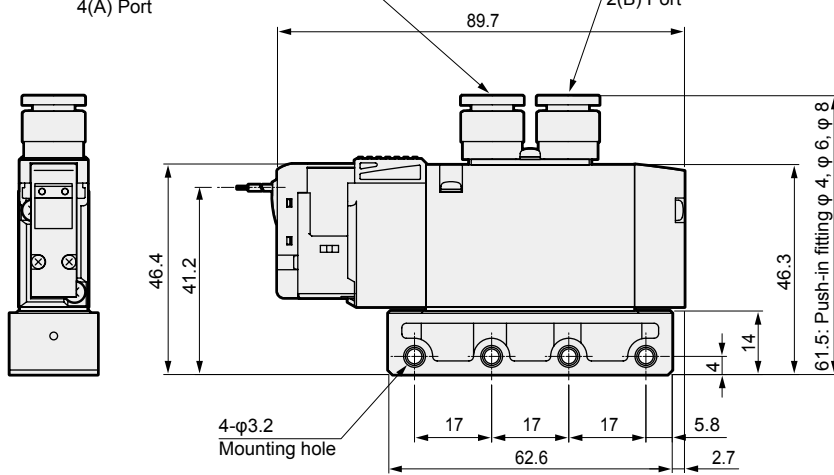


Lead wire length 300
(AWG#26, O.D. $\phi 1.3$)

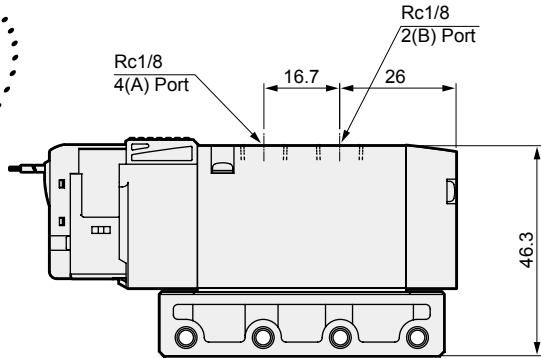
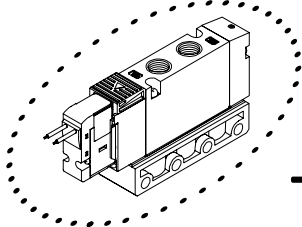


Push-in fitting $\phi 4$, $\phi 6$, $\phi 8$ (selection)
4(A) Port

Push-in fitting $\phi 4$, $\phi 6$, $\phi 8$ (selection)
2(B) Port

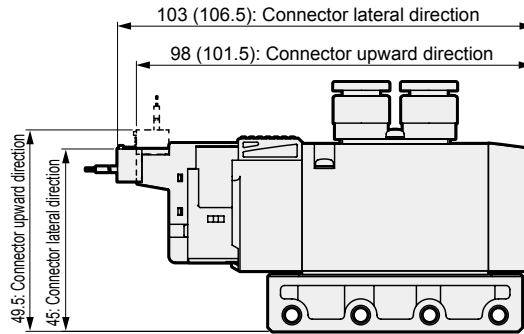
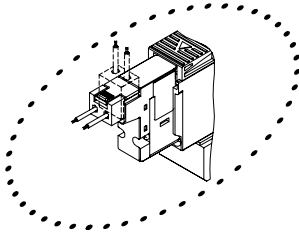


● Rc1/8 female thread (06)



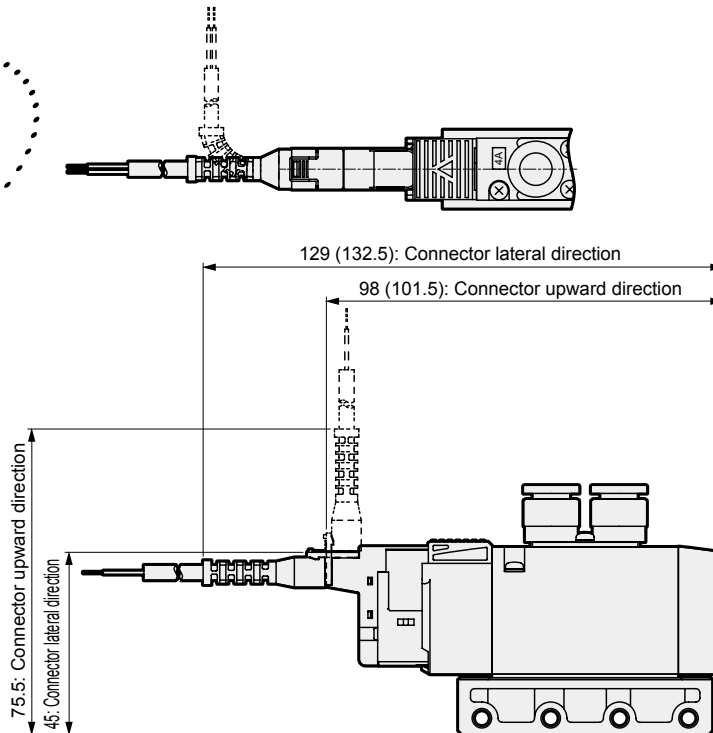
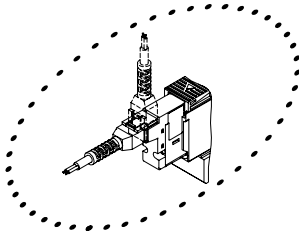
Dimensions

● E type connector (E)



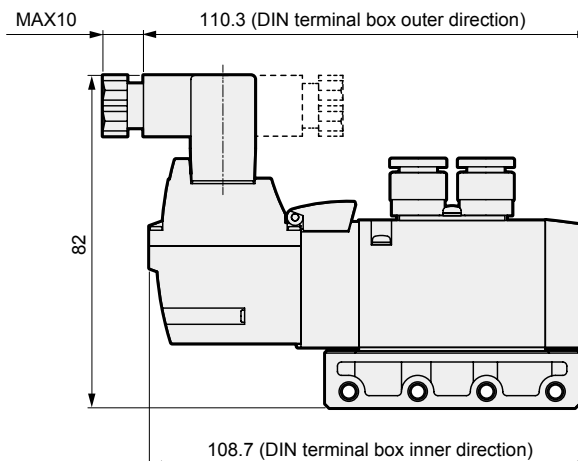
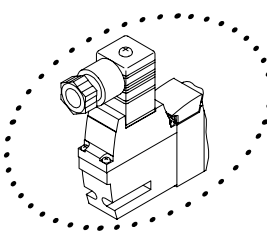
Note: Values in () are for AC voltage.

● EJ type connector (E**J)



Note: Values in () are for AC voltage.

● DIN terminal box (B)



Note: DIN terminal box assembly is shipped facing inward.

4GA/B
M4GA/B
MN4GA/B
4GA/B (mastr)
4GD/E
M4GD/E
MN4GD/E
4GA4/B4
MN3E MN4E
W4GA/B2
W4GB4
4TB
4L2-4/ LMF0
MN3S0 MN4S0
4SA/B0
4KA/B
4KA/B (mastr)
4F
4F (mastr)
PV5G GMF
PV5 GMF
PV5S-0
3QR 3QB
MV3QR
3MA/B0
3PA/B
P/M/B
NP/NAP/ NVP
4F*0EX
4F*0E
HMV HSV
2QV 3QV
SKH
PCD
Silencer
TotAirSys (Total Air)
TotAirSys (Gamma)
Ending

4GD2 Series

Single valve; body piping

Dimensions



- 4GA/B
- M4GA/B
- MN4GA/B
- 4GA/B (mastr)
- 4GD/E
- M4GD/E
- MN4GD/E
- 4GA4/B4
- MN3E
- MN4E
- W4GA/B2
- W4GB4
- 4TB
- 4L2-4/LMF0
- MN3S0
- MN4S0
- 4SA/B0
- 4KA/B
- 4KA/B (mastr)
- 4F
- 4F (mastr)
- PV5G GMF
- PV5 GMF
- PV5S-0
- 3QR
- 3QB
- MV3QR
- 3MA/B0
- 3PA/B
- P/M/B
- NP/NAP/NVP
- 4F*0EX
- 4F*0E
- HMV
- HSV
- 2QV
- 3QV
- SKH
- PCD
- Silencer
- TotAirSys (Total Air)
- TotAirSys (Gamma)
- Ending

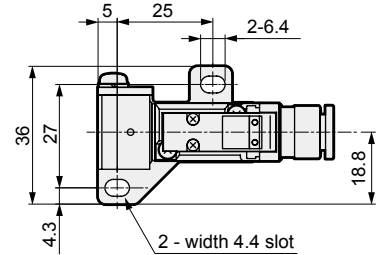
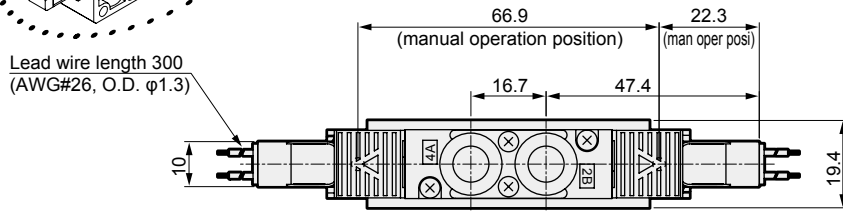
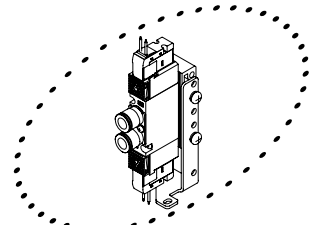
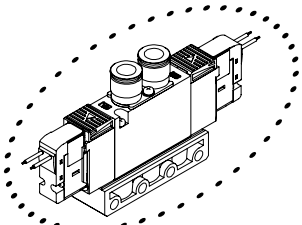
4GD220R

- 2-position double grommet lead wire (blank)

● Mounting plate (P)

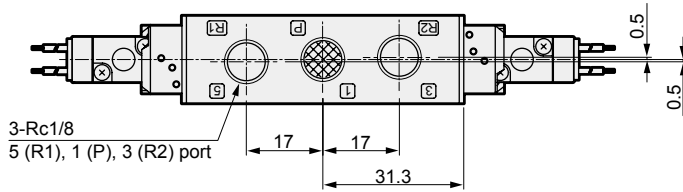
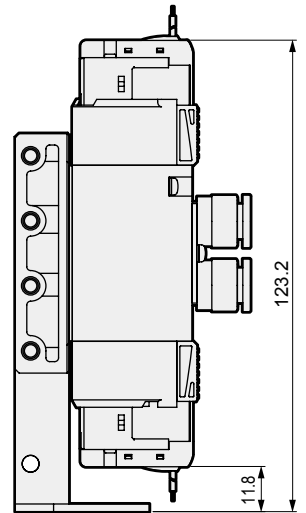
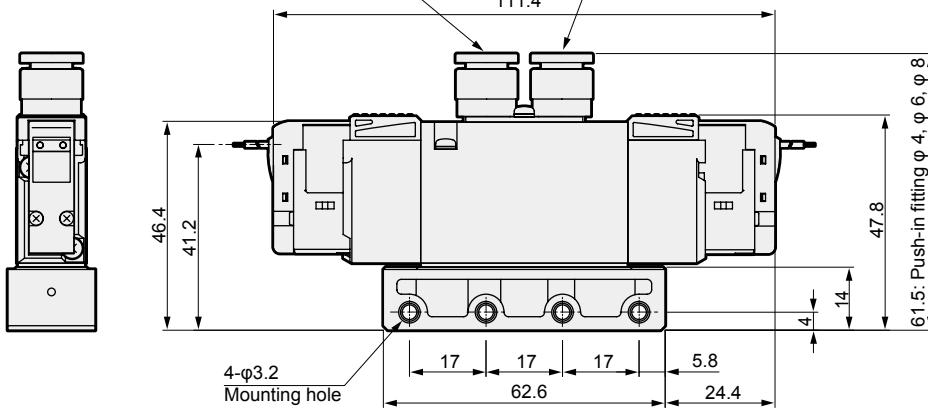
3GD2660R

- Two 3-port valves integrated grommet lead wire (blank)

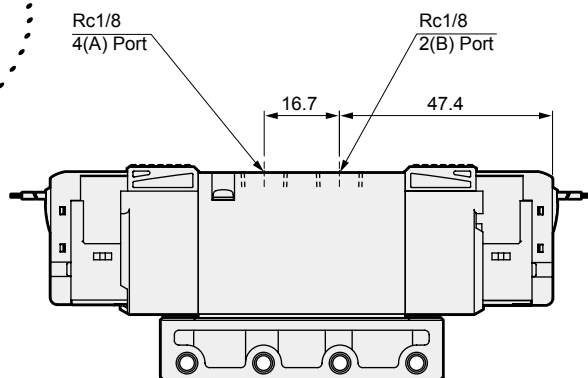
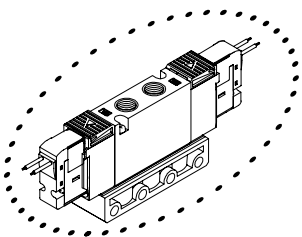


Push-in fitting φ4, φ6, φ8 (selection)
4(A) Port

Push-in fitting φ4, φ6, φ8 (selection)
2(B) Port

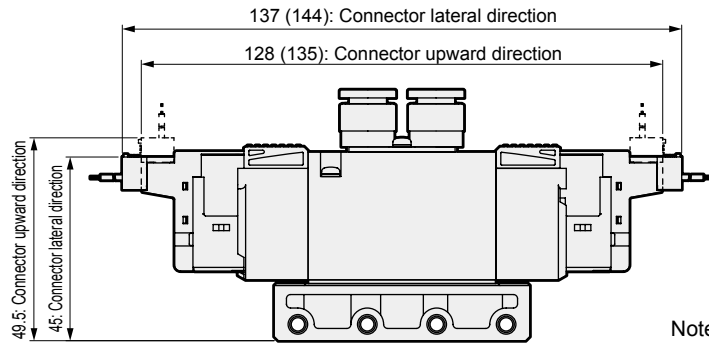
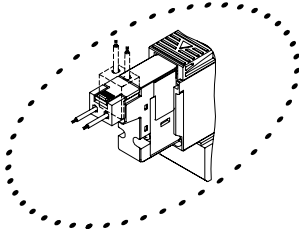


- Rc1/8 female thread (06)



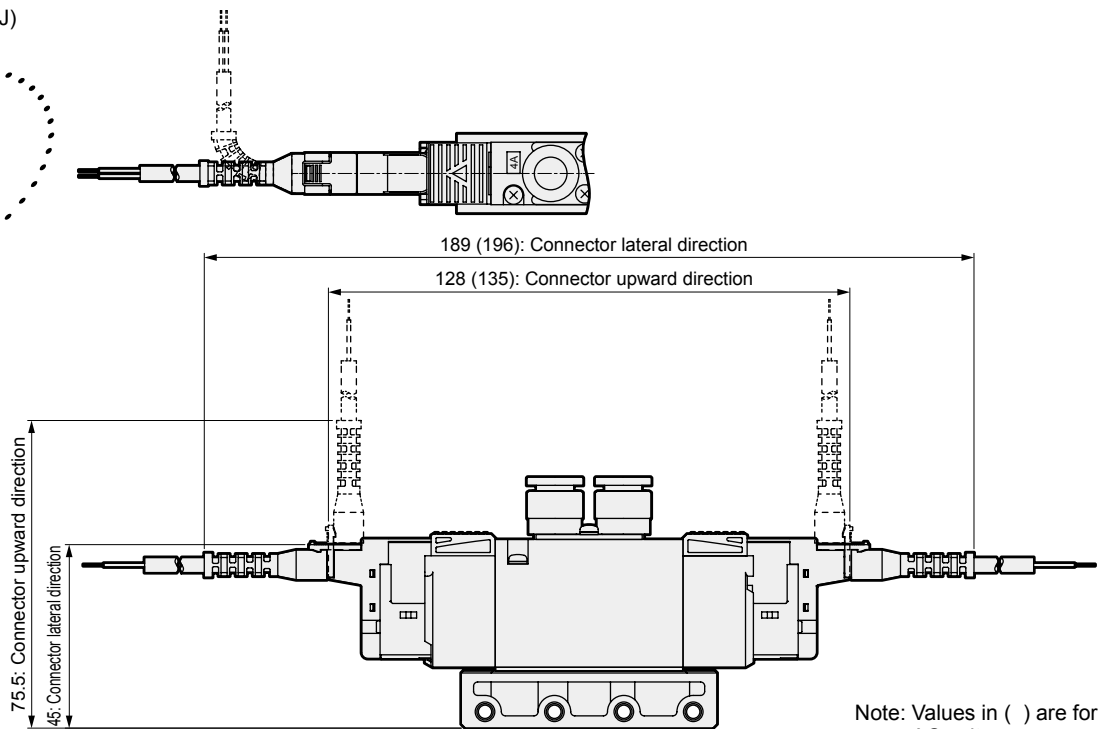
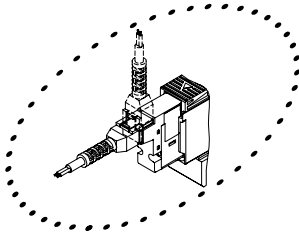
Dimensions

● E type connector (E)



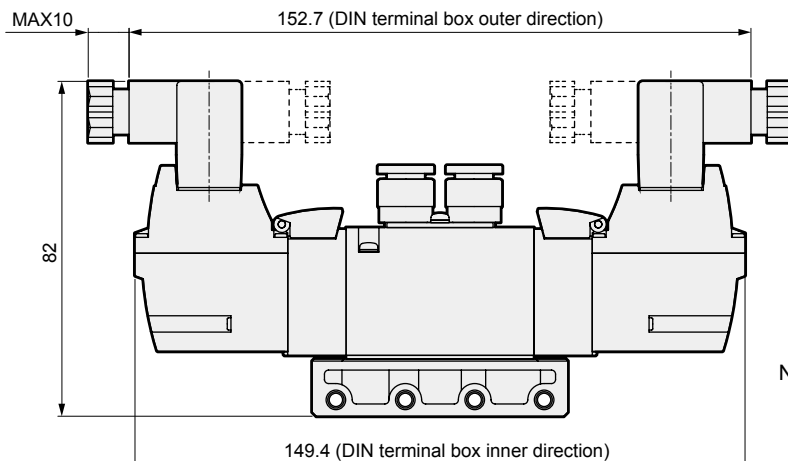
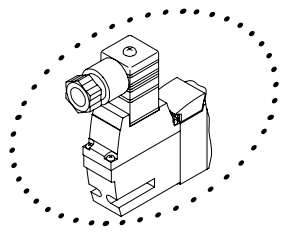
Note: Values in () are for AC voltage.

● EJ type connector (E**J)



Note: Values in () are for AC voltage.

● DIN terminal box (B)



Note: DIN terminal box assembly is shipped facing inward.

4GA/B
M4GA/B
MN4GA/B
4GA/B (mastr)
4GD/E
M4GD/E
MN4GD/E
4GA4/B4
MN3E
MN4E
W4GA/B2
W4GB4
4TB
4L2-4/LMF0
MN3S0
MN4S0
4SA/B0
4KA/B
4KA/B (mastr)
4F
4F (mastr)
PV5G
GMF
PV5
GMF
PV5S-0
3QR
3QB
MV3QR
3MA/B0
3PA/B
P/M/B
NP/NAP/NVP
4F*0EX
4F*0E
HMV
HSV
2QV
3QV
SKH
PCD
Silencer
TotAirSys (Total Air)
TotAirSys (Gamma)
Ending

4GD2 Series

Single valve; body piping

Dimensions

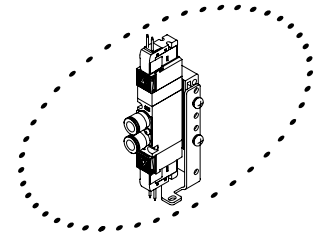
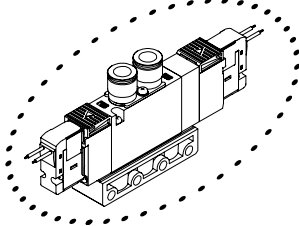


- 4GA/B
- M4GA/B
- MN4GA/B
- 4GA/B (mastr)
- 4GD/E
- M4GD/E
- MN4GD/E
- 4GA4/B4
- MN3E
- MN4E
- W4GA/B2
- W4GB4
- 4TB
- 4L2-4/LMF0
- MN3S0
- MN4S0
- 4SA/B0
- 4KA/B
- 4KA/B (mastr)
- 4F
- 4F (mastr)
- PV5G GMF
- PV5 GMF
- PV5S-0
- 3QR
- 3QB
- MV3QR
- 3MA/B0
- 3PA/B
- P/M/B
- NP/NAP/NVP
- 4F*0EX
- 4F*0E
- HMV
- HSV
- 2QV
- 3QV
- SKH
- PCD
- Silencer
- TotAirSys (Total Air)
- TotAirSys (Gamma)
- Ending

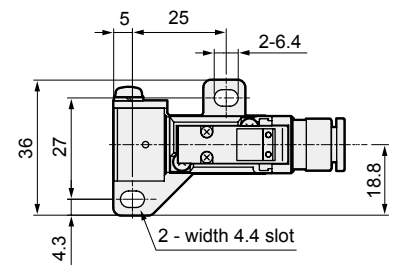
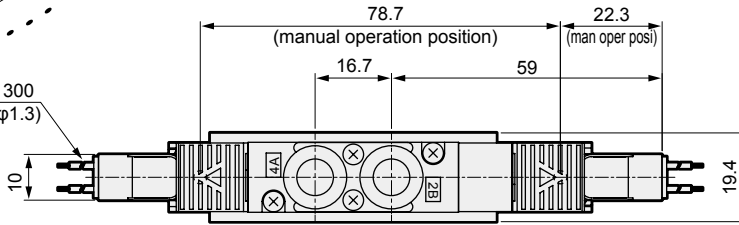
4GD2³/_{0R}

● 3-position grommet lead wire (blank)

● Mounting plate (P)

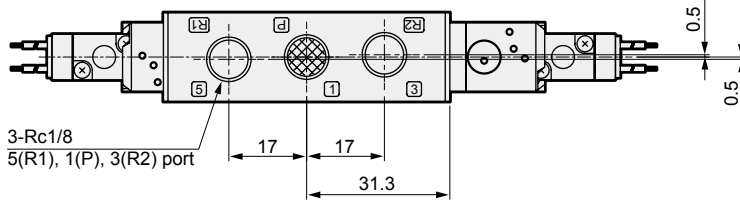
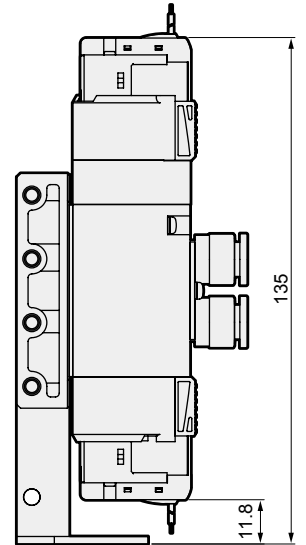
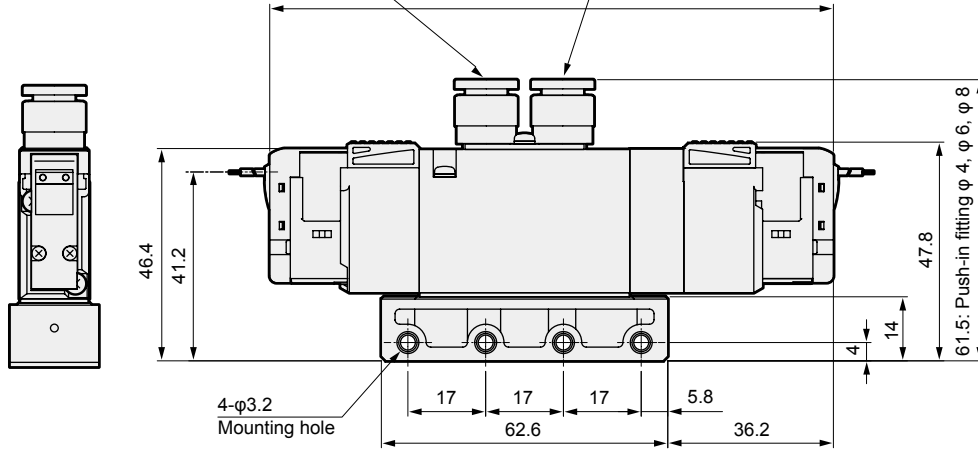


Lead wire length 300
(AWG#26, O.D. ϕ 1.3)

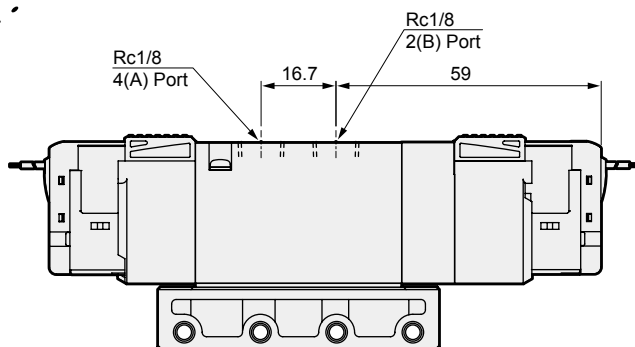
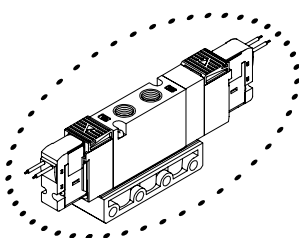


Push-in fitting ϕ 4, ϕ 6, ϕ 8 (selection)
4(A) port

Push-in fitting ϕ 4, ϕ 6, ϕ 8 (selection)
2 (B) port

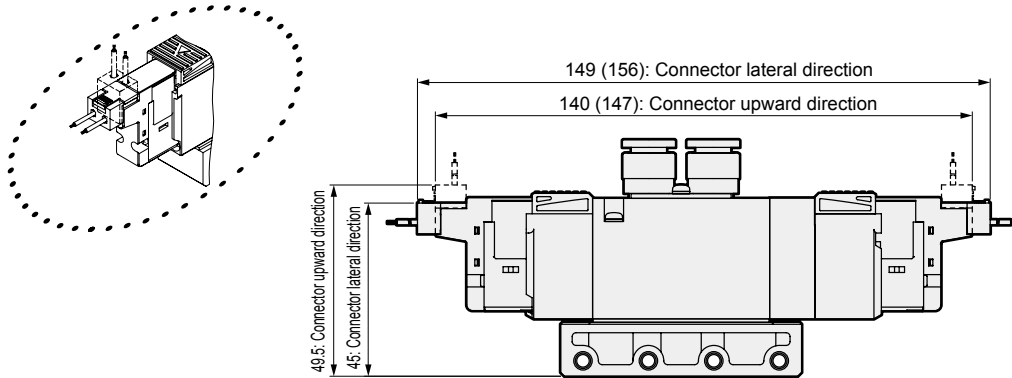


● Rc1/8 female thread (06)



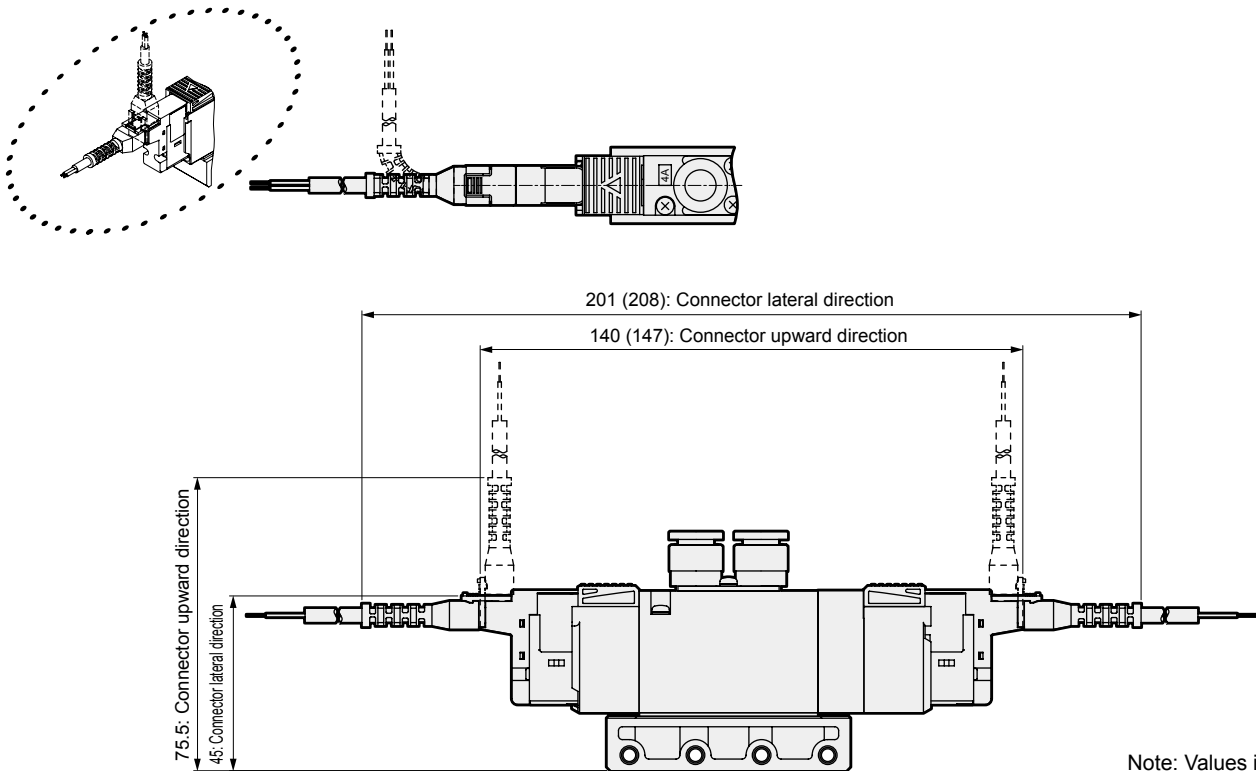
Dimensions

● E type connector (E)



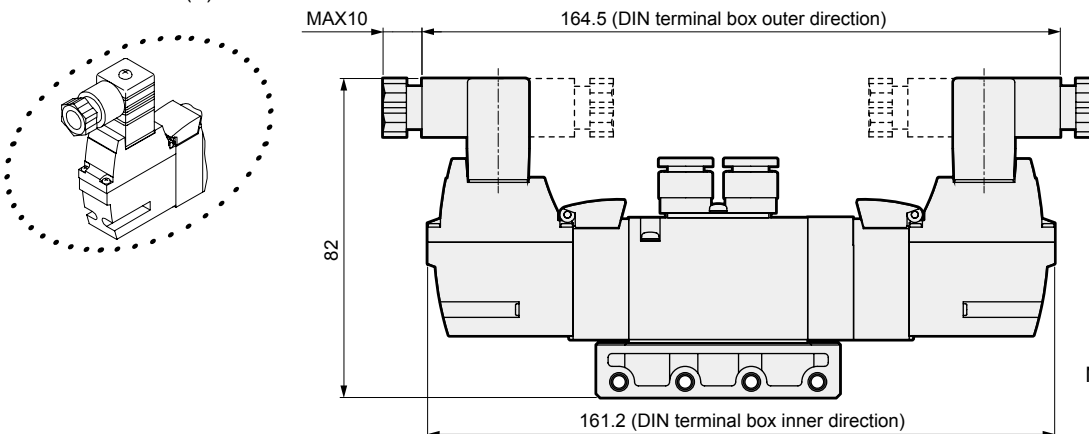
Note: Values in () are for AC voltage.

● EJ type connector (E**J)



Note: Values in () are for AC voltage.

● DIN terminal box (B)



Note: DIN terminal box assembly is shipped facing inward.

4GA/B
M4GA/B
MN4GA/B
4GA/B (mastr)
4GD/E
M4GD/E
MN4GD/E
4GA4/B4
MN3E MN4E
W4GA/B2
W4GB4
4TB
4L2-4/ LMF0
MN3S0 MN4S0
4SA/B0
4KA/B
4KA/B (mastr)
4F
4F (mastr)
PV5G GMF
PV5 GMF
PV5S-0
3QR 3QB
MV3QR
3MA/B0
3PA/B
P/M/B
NP/NAP/ NVP
4F*0EX
4F*0E
HMV HSV
2QV 3QV
SKH
PCD
Silencer
TotAirSys (Total Air)
TotAirSys (Gamma)
Ending

4GD3 Series

Single valve; body piping

Dimensions



4GA/B

M4GA/B

MN4GA/B

4GA/B (mastr)

4GD/E

M4GD/E

MN4GD/E

4GA4/B4

MN3E

MN4E

W4GA/B2

W4GB4

4TB

4L2-4/
LMF0

MN3S0

MN4S0

4SA/B0

4KA/B

4KA/B (mastr)

4F

4F (mastr)

PV5G
GMF

PV5
GMF

PV5S-0

3QR
3QB

MV3QR

3MA/B0

3PA/B

P/M/B

NP/NAP/
NVP

4F*0EX

4F*0E

HMV
HSV

2QV
3QV

SKH

PCD

Silencer

TotAirSys
(Total Air)

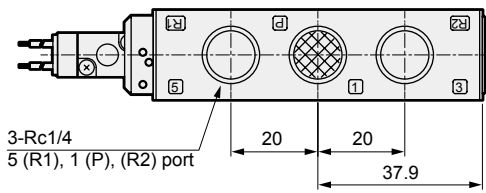
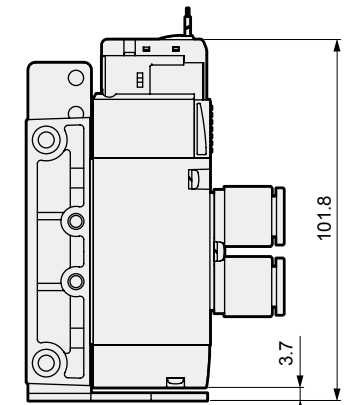
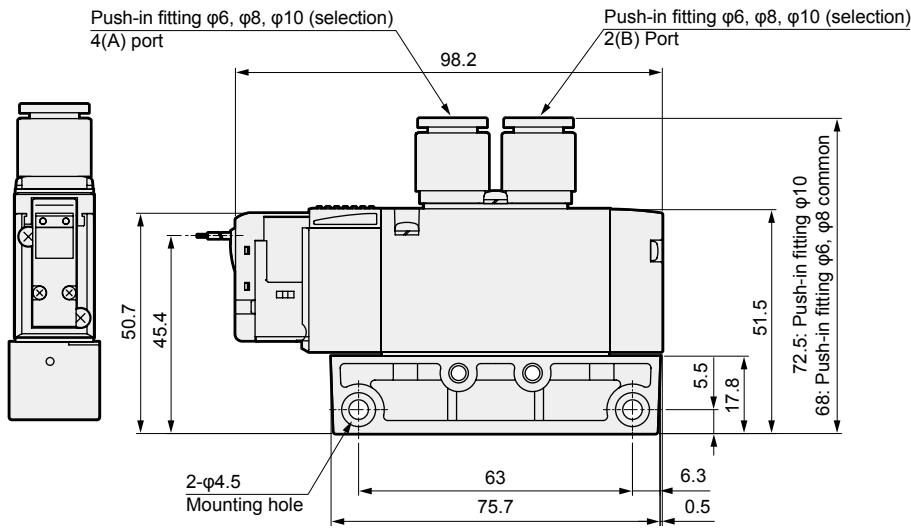
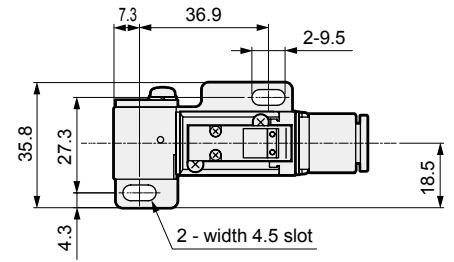
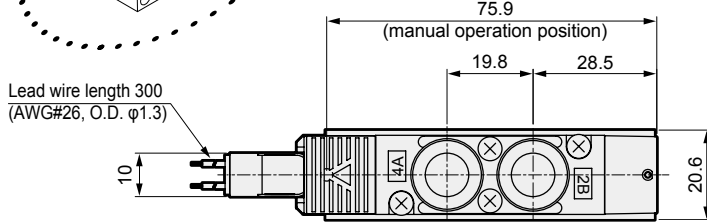
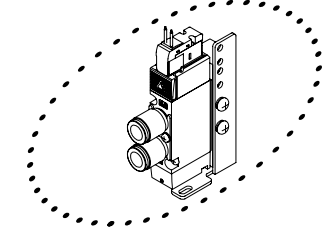
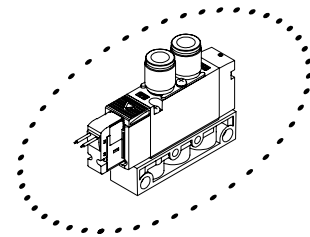
TotAirSys
(Gamma)

Ending

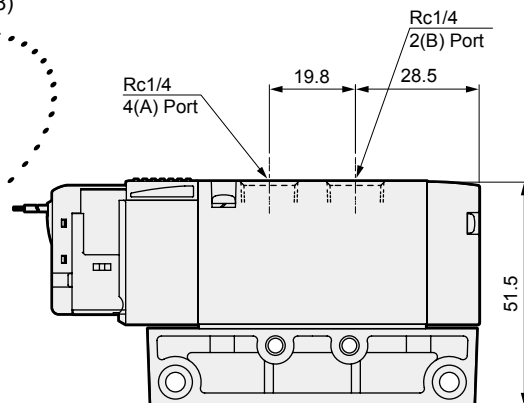
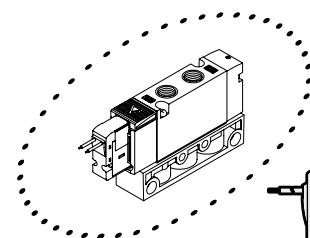
4GD310R

● 2-position single grommet lead wire (blank)

● Mounting plate (P)

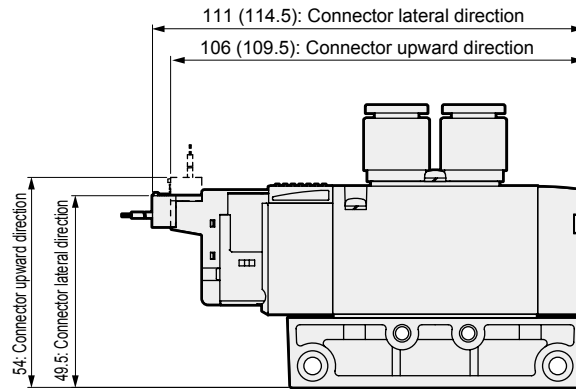
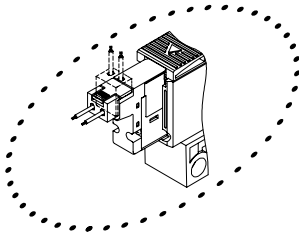


● Rc1/4 female thread (08)



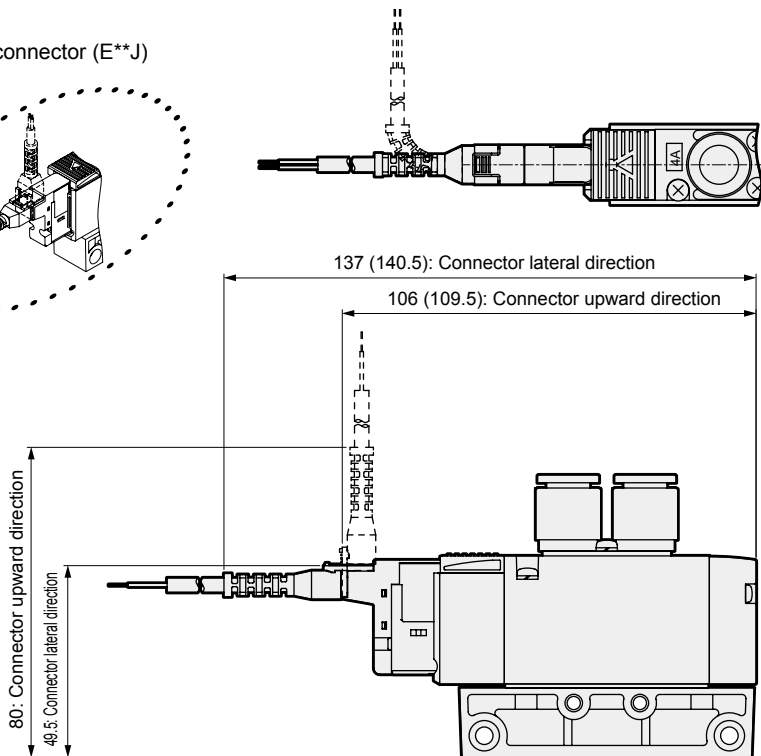
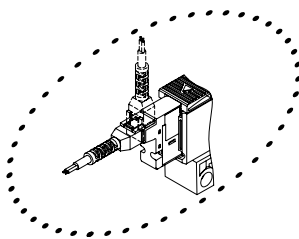
Dimensions

● E type connector (E)



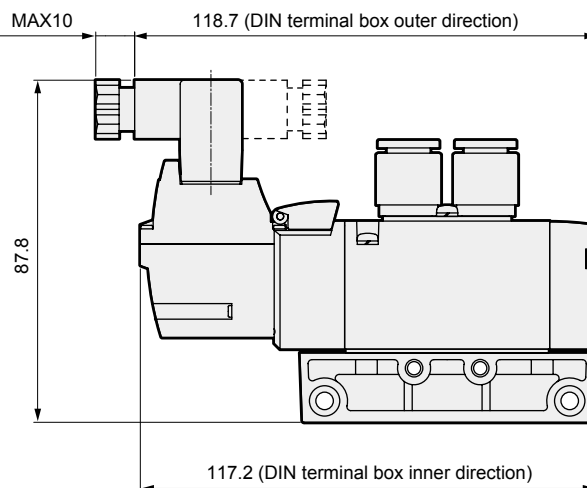
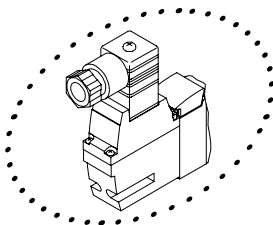
Note: Values in () are for AC voltage.

● EJ type connector (E**J)



Note: Values in () are for AC voltage.

● DIN terminal box (B)



Note: DIN terminal box assembly is shipped facing inward.

4GA/B
M4GA/B
MN4GA/B
4GA/B (mastr)
4GD/E
M4GD/E
MN4GD/E
4GA4/B4
MN3E
MN4E
W4GA/B2
W4GB4
4TB
4L2-4/LMF0
MN3S0
MN4S0
4SA/B0
4KA/B
4KA/B (mastr)
4F
4F (mastr)
PV5G
GMF
PV5
GMF
PV5S-0
3QR
3QB
MV3QR
3MA/B0
3PA/B
P/M/B
NP/NAP/NVP
4F*0EX
4F*0E
HMV
HSV
2QV
3QV
SKH
PCD
Silencer
TotAirSys (Total Air)
TotAirSys (Gamma)
Ending

4GD3 Series

Single valve; body piping

Dimensions



4GA/B

M4GA/B

MN4GA/B

4GA/B (mastr)

4GD/E

M4GD/E

MN4GD/E

4GA4/B4

MN3E
MN4E

W4GA/B2

W4GB4

4TB

4L2-4/
LMF0

MN3S0
MN4S0

4SA/B0

4KA/B

4KA/B (mastr)

4F

4F (mastr)

PV5G
GMF

PV5
GMF

PV5S-0

3QR
3QB

MV3QR

3MA/B0

3PA/B

P/M/B

NP/NAP/
NVP

4F*0EX

4F*0E

HMV
HSV

2QV
3QV

SKH

PCD

Silencer

TotAirSys
(Total Air)

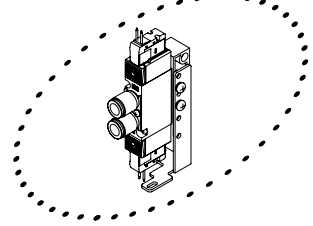
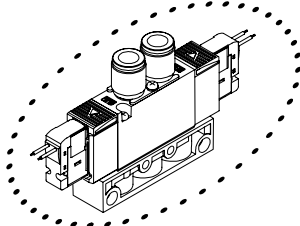
TotAirSys
(Gamma)

Ending

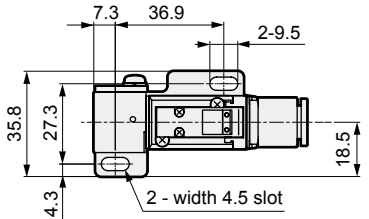
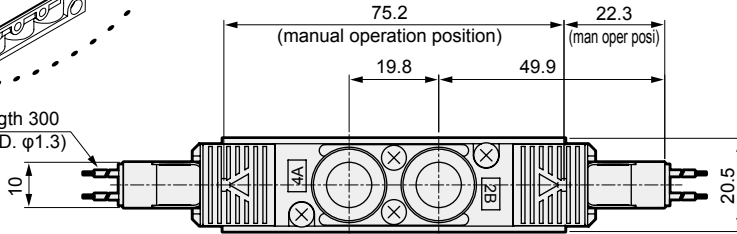
4GD320R

● 2-position double grommet lead wire (blank)

● Mounting plate (P)

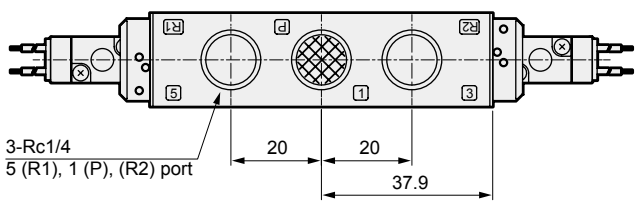
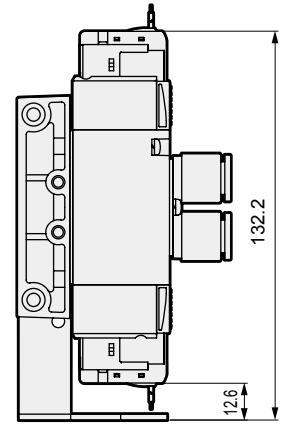
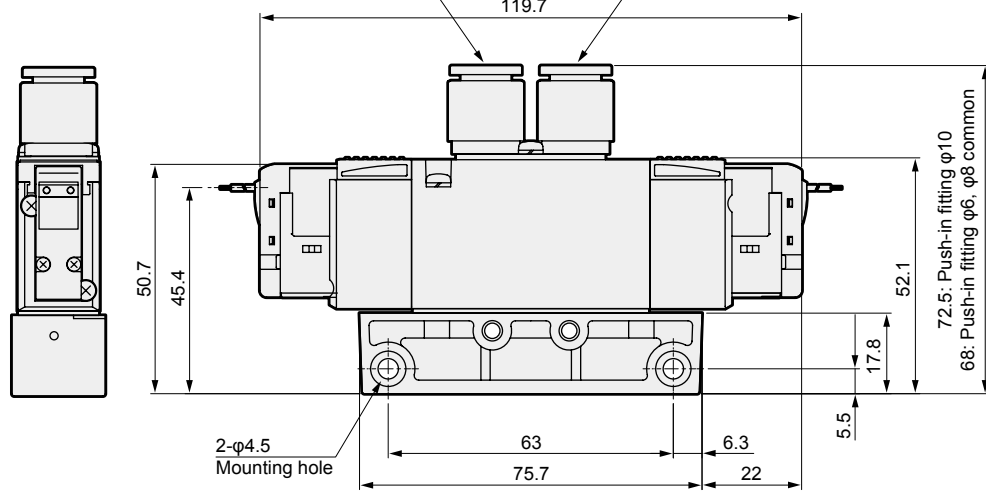


Lead wire length 300
(AWG#26, O.D. ϕ 1.3)

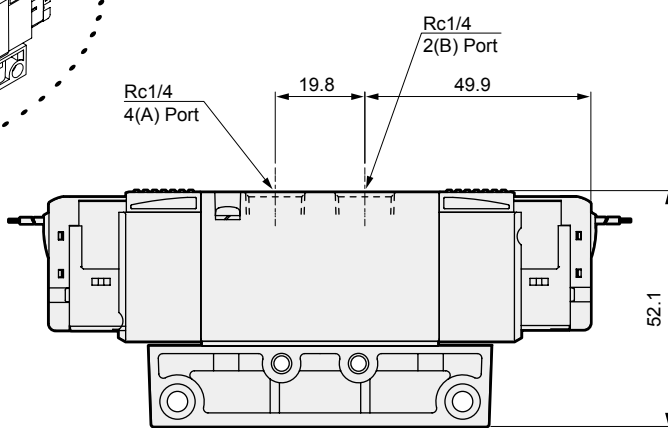
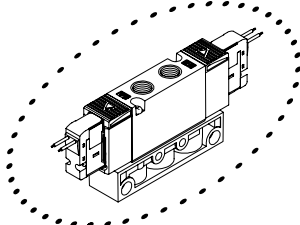


Push-in fitting ϕ 6, ϕ 8, ϕ 10 (selection)
4(A) Port

Push-in fitting ϕ 6, ϕ 8, ϕ 10 (selection)
2(B) Port

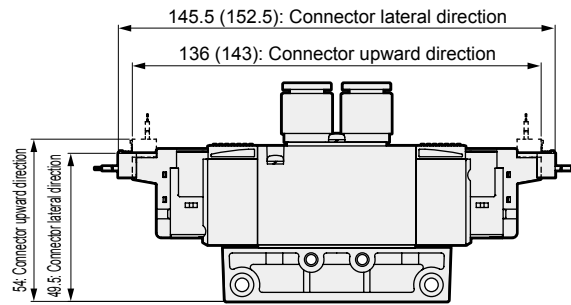
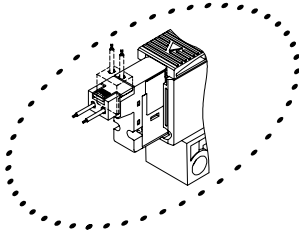


● Rc1/4 female thread (08)



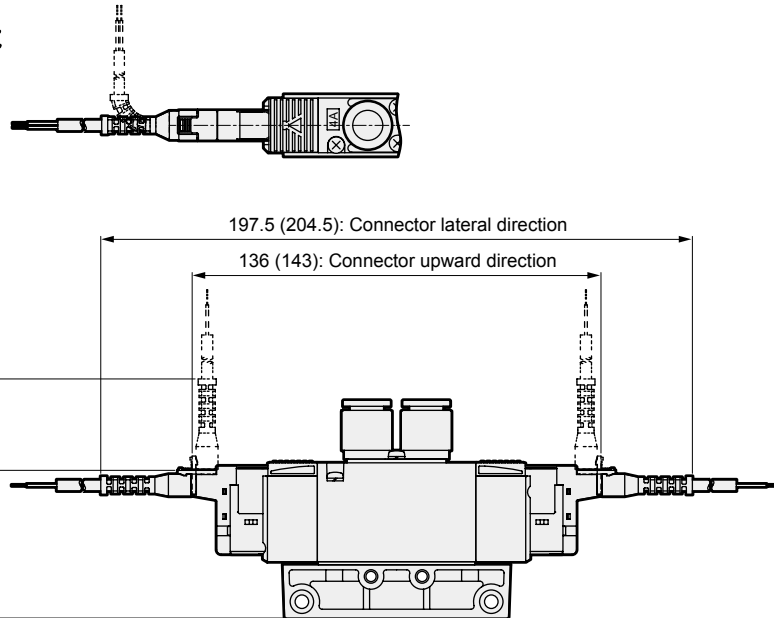
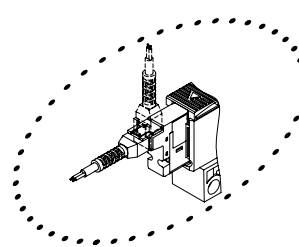
Dimensions

● E type connector (E)



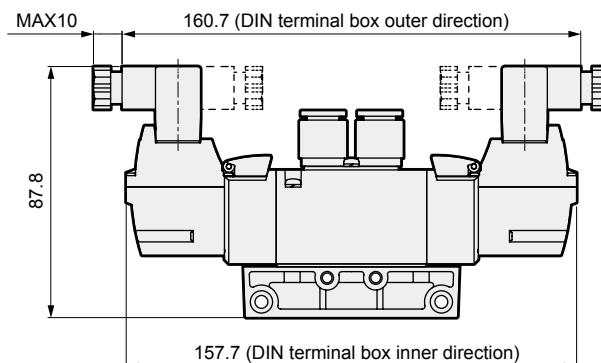
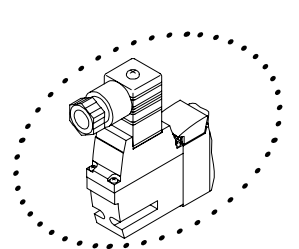
Note: Values in () are for AC voltage.

● EJ type connector (E**J)



Note: Values in () are for AC voltage.

● DIN terminal box (B)



Note: DIN terminal box assembly is shipped facing inward.

4GA/B
M4GA/B
MN4GA/B
4GA/B (mastr)
4GD/E
M4GD/E
MN4GD/E
4GA4/B4
MN3E
MN4E
W4GA/B2
W4GB4
4TB
4L2-4/LMF0
MN3S0
MN4S0
4SA/B0
4KA/B
4KA/B (mastr)
4F
4F (mastr)
PV5G
GMF
PV5
GMF
PV5S-0
3QR
3QB
MV3QR
3MA/B0
3PA/B
P/M/B
NP/NAP/NVP
4F*0EX
4F*0E
HMV
HSV
2QV
3QV
SKH
PCD
Silencer
TotAirSys (Total Air)
TotAirSys (Gamma)
Ending

4GD3 Series

Single valve; body piping

Dimensions

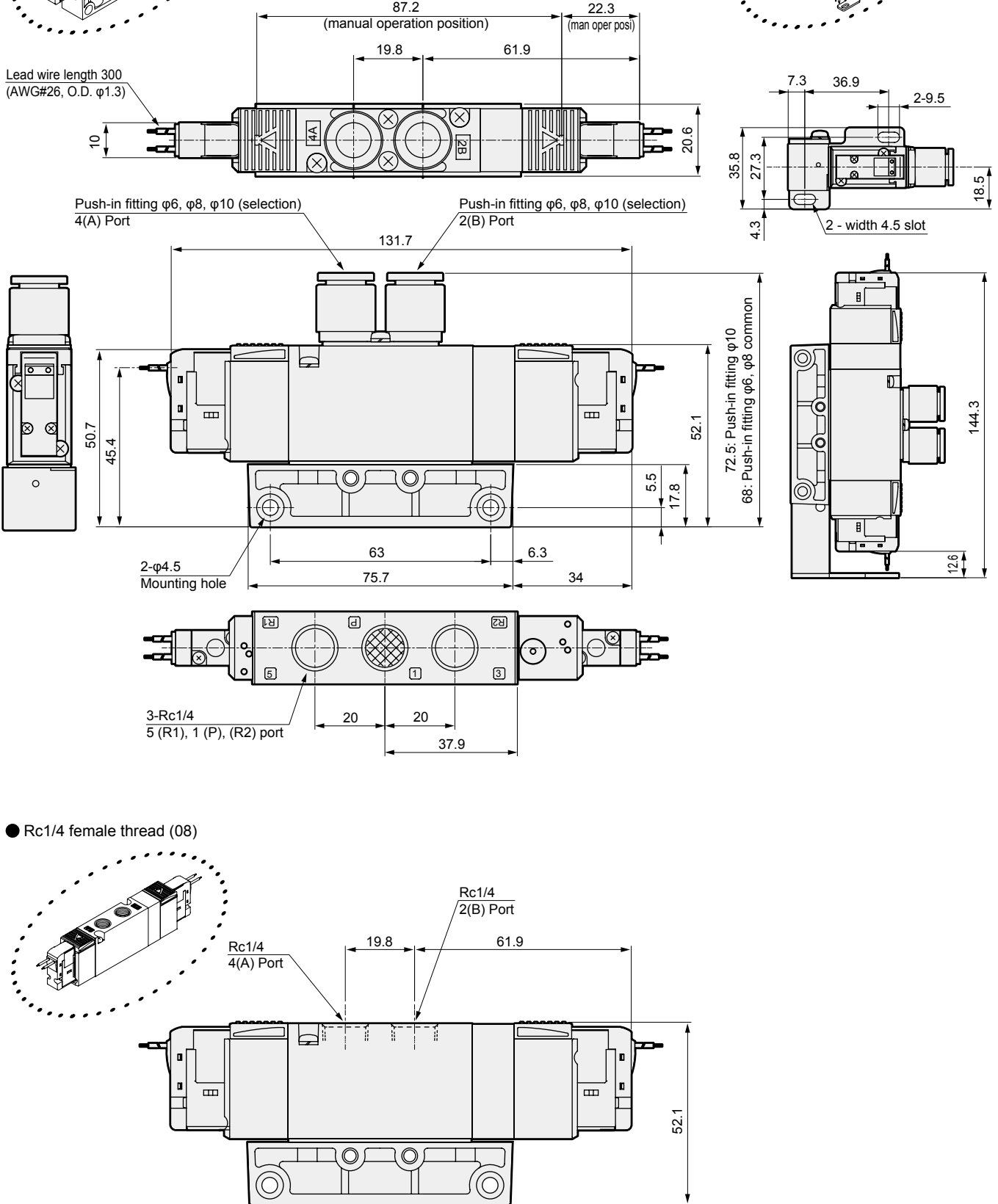
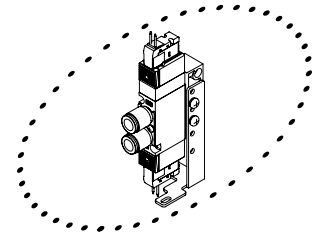
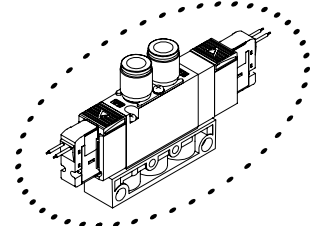


- 4GA/B
- M4GA/B
- MN4GA/B
- 4GA/B (mastr)
- 4GD/E
- M4GD/E
- MN4GD/E
- 4GA4/B4
- MN3E
- MN4E
- W4GA/B2
- W4GB4
- 4TB
- 4L2-4/LMF0
- MN3S0
- MN4S0
- 4SA/B0
- 4KA/B
- 4KA/B (mastr)
- 4F
- 4F (mastr)
- PV5G GMF
- PV5 GMF
- PV5S-0
- 3QR
- 3QB
- MV3QR
- 3MA/B0
- 3PA/B
- P/M/B
- NP/NAP/NVP
- 4F*0EX
- 4F*0E
- HMV HSV
- 2QV
- 3QV
- SKH
- PCD
- Silencer
- TotAirSys (Total Air)
- TotAirSys (Gamma)
- Ending

4GD3 0R

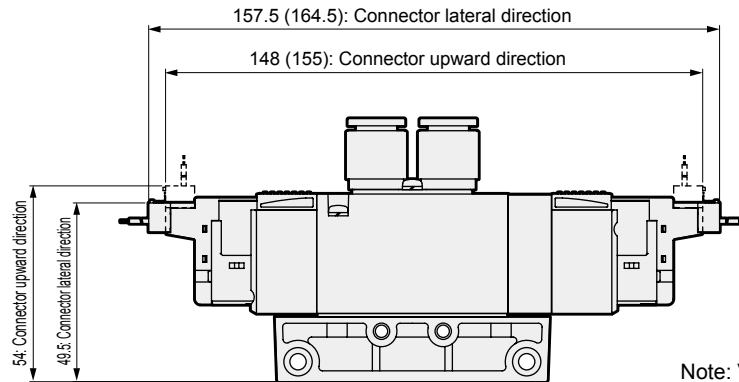
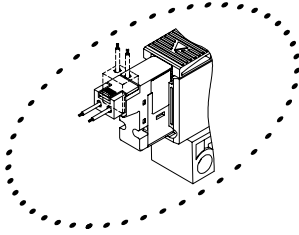
● 3-position grommet lead wire (blank)

● Mounting plate (P)



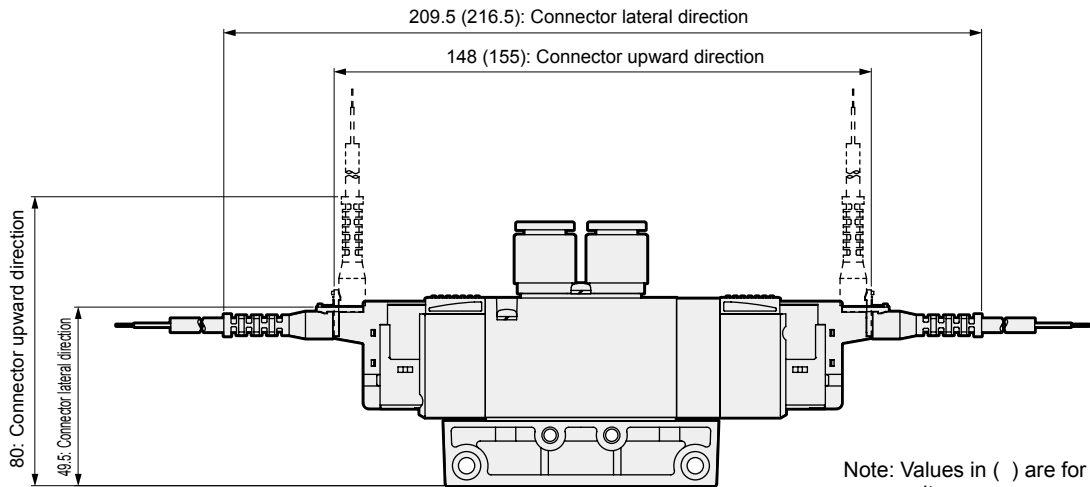
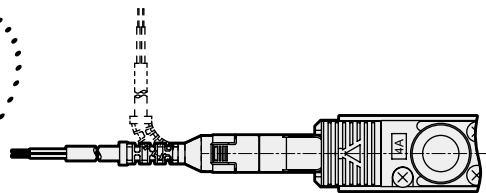
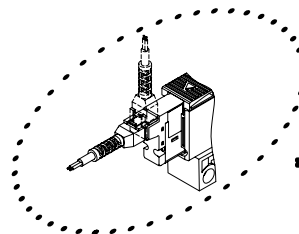
Dimensions

● E type connector (E)



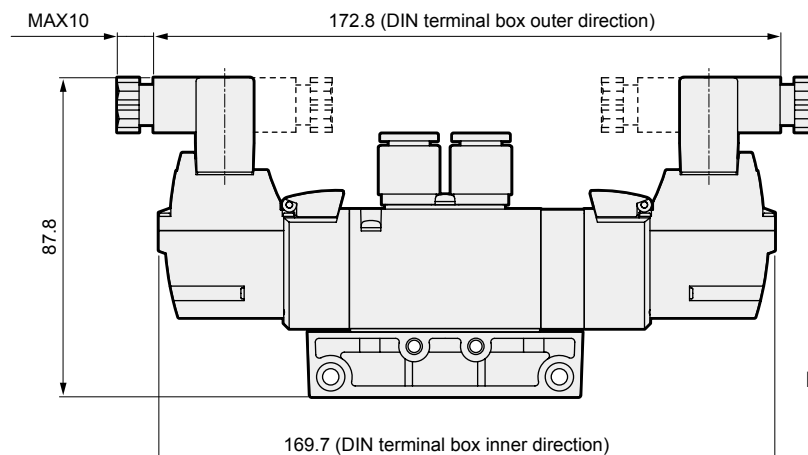
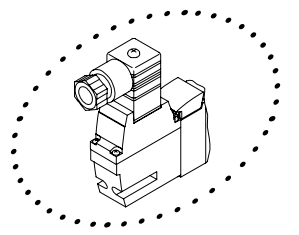
Note: Values in () are for AC voltage.

● EJ type connector (E**J)



Note: Values in () are for AC voltage.

● DIN terminal box (B)



Note: DIN terminal box assembly is shipped facing inward.

4GA/B
M4GA/B
MN4GA/B
4GA/B (mastr)
4GD/E
M4GD/E
MN4GD/E
4GA4/B4
MN3E MN4E
W4GA/B2
W4GB4
4TB
4L2-4/ LMF0
MN3S0 MN4S0
4SA/B0
4KA/B
4KA/B (mastr)
4F
4F (mastr)
PV5G GMF
PV5 GMF
PV5S-0
3QR 3QB
MV3QR
3MA/B0
3PA/B
P/M/B
NP/NAP/ NVP
4F*0EX
4F*0E
HMV HSV
2QV 3QV
SKH
PCD
Silencer
TotAirSys (Total Air)
TotAirSys (Gamma)
Ending



Single valve
Base piping

3GE1/2 / 4GE1/2/3 Series

● Cylinder bore size: $\phi 20$ to $\phi 100$



4GA/B
M4GA/B
MN4GA/B
4GA/B (mastr)
4GD/E

M4GD/E
MN4GD/E
4GA4/B4
MN3E
MN4E

W4GA/B2
W4GB4

4TB
4L2-4/
LMF0

MN3S0
MN4S0

4SA/B0
4KA/B

4KA/B (mastr)
4F

4F (mastr)
PV5G
GMF

PV5
GMF
PV5S-0

3QR
3QB

MV3QR
3MA/B0

3PA/B
P/M/B

NP/NAP/
NVP

4F*0EX
4F*0E

HMV
HSV
2QV
3QV

SKH
PCD

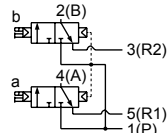
Silencer
TotAirSys
(Total Air)

TotAirSys
(Gamma)

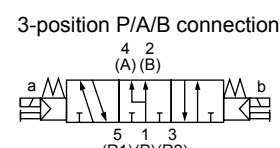
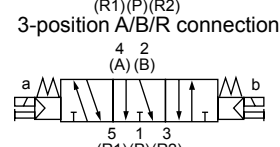
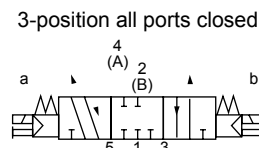
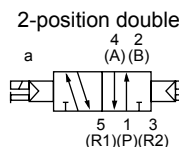
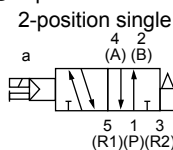
Ending

JIS symbol

- Two 3-port valves integrated
(A side valve: NC, B side valve: NC)



- 5-port valve



Common specifications

Descriptions	Content
Valve and operation	Pilot operated soft spool valve
Working fluid	Compressed air
Max. working pressure MPa	0.7 (≈ 100 psi, 7 bar)
Min. working pressure MPa	0.2 (≈ 29 psi, 2 bar)
Proof pressure MPa	1.05 (≈ 150 psi, 10.5 bar)
Ambient temperature $^{\circ}\text{C}$	-5 (23 $^{\circ}\text{F}$) to 55 (131 $^{\circ}\text{F}$) (no freezing)
Fluid temperature $^{\circ}\text{C}$	5 (41 $^{\circ}\text{F}$) to 55 (131 $^{\circ}\text{F}$)
Manual override	Non-locking/locking common (standard)
Pilot exhaust method	Internal pilot Main valve/pilot valve common exhaust
Lubrication *1	Not required
Degree of protection *2	Dust-proof
Vibration resistance m/s^2	50 or less
Shock resistance m/s^2	300 or less
Atmosphere	Cannot be used in corrosive gas environments

*1 Use turbine oil Class 1 ISO VG32 for lubrication. Excessive or intermittent lubrication results in unstable operation.

*2 Avoid dripping water or oil, etc., during use. IP65 (jet-proof) applies for DIN terminal box specifications. However, the specified outer diameter of the applicable cord and tightening torque must be used for fixing in place.

Electrical specifications

Descriptions	Content			
Rated voltage V	24 DC	12 DC	100 AC	200 AC
Voltage fluctuation range	$\pm 10\%$			
Holding current A (*3)	0.015 (0.017)	0.030 (0.034)	0.009 (0.009)	0.006 (0.006)
Power consumption W (*3)	0.35(0.40)		-	
Apparent power VA (*3) (*4)	-		0.93 (0.98)	1.40
Thermal class	B			
Surge suppressor	Option			
Indicator	Lamp (option)			

*3 Values in () apply when lamp is included.

*4 200 VAC is the value of DIN terminal box (with lamp).

Individual specifications

Descriptions		3GE1/4GE1	3GE2/4GE2	4GE3
Port size	A/B port	Rc1/8	Rc1/4	Rc1/4, Rc3/8
	P/R1/R2 port	Rc1/8	Rc1/4	Rc1/4, Rc3/8

Descriptions		3GE1/4GE1		3GE2/4GE2		4GE3		
		ON	OFF	ON	OFF	ON	OFF	
Response time	Two 3-port valves integrated	12	15	15	30	-	-	
	2-position	Single	15	25	20	30	25	40
		Double	15	-	20	-	25	-
ms	3-position	ABR connection	20	30	25	35	35	50

Values with a lamp/surge suppressor are shown. The response time is the value with supply pressure of 0.5 MPa at 20 $^{\circ}\text{C}$ and without lubrication. It depends on the pressure and the lubricant quality.

Descriptions		3GE1/4GE1	3GE2/4GE2	4GE3		
Weight	2-position	Single	Grommet lead wire	80(38)	158(76)	221(102)
			E type connector	82(40)	160(78)	223(104)
			DIN terminal box	-	195(113)	255(136)
		Double	Grommet lead wire	97(55)	175(93)	240(121)
			E type connector	101(59)	179(97)	244(125)
			DIN terminal box	-	218(136)	280(161)
	3-position	All ports closed	Grommet lead wire	98(56)	186(104)	249(130)
			E type connector	102(60)	190(108)	253(134)
			DIN terminal box	-	229(147)	289(170)

· Values in () do not include the pipe adaptor. Values for the E type connector include the socket assembly (with 300 mm lead wire).

· For the EJ type connector, add 16 g/connector to the E type connector weight.

· The weight of the two 3-port valves integrated is the same as that of 2-position double.

Flow characteristics

Model No.	Solenoid position	P → A/B		A/B → R1/R2		
		C[dm ³ /(s·bar)]	b	C[dm ³ /(s·bar)]	b	
3GE1 4GE1	Two 3-port valves integrated	0.92	0.08	1.1	0.26	
	2-position	1.3	0.27	1.2	0.22	
	3-position	All ports closed	1.1	0.31	1.1	0.27
		ABR connection	1.1	0.31	1.3	0.29
		PAB connection	1.4	0.30	1.1	0.26
3GE2 4GE2	Two 3-port valves integrated	1.7	0.42	2.1	0.26	
	2-position	2.6	0.20	2.6	0.19	
	3-position	All ports closed	2.3	0.32	2.2	0.22
		ABR connection	2.2	0.23	2.6	0.16
		PAB connection	2.4	0.10	2.4	0.22
4GE3	2-position	4.3	0.24	4.2	0.24	
	3-position	All ports closed	3.3	0.40	3.4	0.27
		ABR connection	3.3	0.36	4.2	0.18
		PAB connection	4.5	0.28	3.4	0.30

*1: Effective cross-sectional area S and sonic conductance C are converted as $S \approx 5.0 \times C$.

Ozone-proof specifications · Coolant proof specifications

Can be selected with "How to order" Item (E) option "A" on page 386.

Specifications for rechargeable battery (Catalog No. CC-1226A)

- For use in the rechargeable battery manufacturing process, materials used for air path and sliding section are limited

** - Voltage - **P4**

CE marking specifications

** - Voltage - **ST**

4GA/B
M4GA/B
MN4GA/B
4GA/B (mastr)
4GD/E
M4GD/E
MN4GD/E
4GA4/B4
MN3E MN4E
W4GA/B2
W4GB4
4TB
4L2-4/ LMF0
MN3S0 MN4S0
4SA/B0
4KA/B
4KA/B (mastr)
4F
4F (mastr)
PV5G GMF
PV5 GMF
PV5S-0
3QR 3QB
MV3QR
3MA/B0
3PA/B
P/M/B
NP/NAP/ NVP
4F*0EX
4F*0E
HMV HSV
2QV 3QV
SKH
PCD
Silencer
TotAirSys (Total Air)
TotAirSys (Gamma)
Ending

3GE1/2 / 4GE1/2/3 Series

Single valve; base piping

How to order

● Single valve

4GE1 1 0 R - 06 - E2 - 3

3GE1 66 0 R - 06 - E2 - 3

● Single valve for mounting base

4GE1 1 9 R - 00 - E2 H - 3

3GE1 66 9 R - 00 - E2 H C - 3

A Model No. **B** Solenoid position **C** Port size

D Electrical connections
Refer to page 343 for the circuit diagram with surge suppressor/lamp.

E Option

F Pilot exhaust method

G Voltage

⚠ Precautions for model No. selection

- *1 : Dimensions are the same as the respective 2-position double solenoid.
- *2 : 3-position all-port blocks and PAB connections are not provided with the exhaust check valve. Refer to page 751 for details on the exhaust check valve.
- *3 : A filter is built into the P-port as standard.
- *4 : DIN terminal box only is supported.
- *5 : Grommet lead wire specifications are compatible with DC voltage only.
- *6 : A lamp comes with the terminal box.
- *7 : AC voltage is with a rectifier circuit.

A Model No.				
3GE1	3GE2	4GE1	4GE2	4GE3

Code	Content	3GE1	3GE2	4GE1	4GE2	4GE3
B Solenoid position						
1	2-position single			●	●	●
2	2-position double			●	●	●
3	3-position all ports closed			●	●	●
4	3-position ABR connection			●	●	●
5	3-position PAB connection			●	●	●
66	Two 3-port valves integrated *1	●	●			
	A side valve: Normally closed B side valve: Normally closed					

C Port size		P/R1/R2 port				
Port	4(A)/2(B) port	② =Rc1/8	③ =Rc1/4	④ =Rc3/8		
06	Rc1/8	②		②		
08	Rc1/4		③		③	③
10	Rc3/8					④
00	Discrete valve for mounting base	●	●	●	●	●

D Electrical connections						
Blank	Grommet lead wire (300 mm) (*5)	●	●	●	●	●
B	DIN terminal box (Pg7) With surge suppressor/lamp (*6)		●		●	●
BN	DIN term. box (Pg7) (no terminal box) + surge suppressor (*6)		●		●	●

E type connector (upward/lateral common)						
E0	Lead wire (300 mm) (*7)	●	●	●	●	●
E00	Lead wire (500 mm) (*7)	●	●	●	●	●
E01	Lead wire (1000 mm) (*7)	●	●	●	●	●
E02	Lead wire (2000 mm) (*7)	●	●	●	●	●
E03	Lead wire (3000 mm) (*7)	●	●	●	●	●
E0N	Without lead wire (without socket) (*7)	●	●	●	●	●
E1	Without lead wire (socket/terminal attached) (*7)	●	●	●	●	●
E2	Lead wire (300 mm), surge suppressor/indicator lamp	●	●	●	●	●
E20	Lead wire (500 mm), surge suppressor/indicator lamp	●	●	●	●	●
E21	Lead wire (1000 mm), surge suppressor/indicator lamp	●	●	●	●	●
E22	Lead wire (2000 mm), surge suppressor/indicator lamp	●	●	●	●	●
E23	Lead wire (3000 mm), surge suppressor/indicator lamp	●	●	●	●	●
E2N	No lead wire (without socket), surge suppressor/indicator lamp	●	●	●	●	●
E3	No lead wire (with socket/terminal), surge suppressor/indicator lamp	●	●	●	●	●

E Option						
Blank	Non-locking/locking common manual override	●	●	●	●	●
H	With exhaust check valve (*2)	●	●	●	●	●
A	Ozone/coolant proof	●	●	●	●	●
F	A/B-port filter built in (*3)	●	●	●	●	●

F Pilot exhaust method						
Blank	Common exhaust (pilot exhaust check valve built-in)	●	●	●	●	●
C	Atmosphere release	○	○	○	○	○

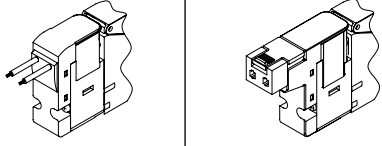
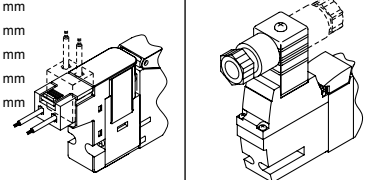
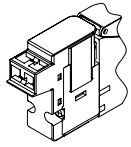
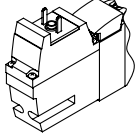
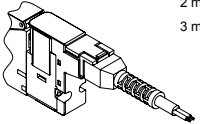
G Voltage						
1	100 VAC (rectifier integrated)	●	●	●	●	●
2	200 VAC (rectifier integrated) (*4)		●		●	●
3	24 VDC	●	●	●	●	●
4	12 VDC	●	●	●	●	●

is not available.

○ indicates a custom order.

3GE1/2 / 4GE1/2/3 Series

Single valve; base piping

Electrical connections	
Discrete valve/individual wiring manifold	
Blank Grommet lead wire	E1 E3 E type connector with socket/terminal
<p>● Lead wire length 300 mm</p> 	
E0 E2 E type connector	B DIN terminal box
<p>● Lead wire length 300 mm 500 mm 1000 mm 2000 mm 3000 mm</p> 	
E0N E2N E type connector without socket	BN DIN terminal box without terminal box
	
E0*J E2*J EJ type connector	
<p>● Lead wire length 1 m 2 m 3 m</p> 	

4GA/B
M4GA/B
MN4GA/B
4GA/B (mastr)
4GD/E
M4GD/E
MN4GD/E
4GA4/B4
MN3E MN4E
W4GA/B2
W4GB4
4TB
4L2-4/ LMF0
MN3S0 MN4S0
4SA/B0
4KA/B
4KA/B (mastr)
4F
4F (mastr)
PV5G GMF
PV5 GMF
PV5S-0
3QR 3QB
MV3QR
3MA/B0
3PA/B
P/M/B
NP/NAP/ NVP
4F*0EX
4F*0E
HMV HSV
2QV 3QV
SKH
PCD
Silencer
TotAirSys (Total Air)
TotAirSys (Gamma)
Ending

3GE1/4GE1 Series

Single valve; base piping

Internal structure and parts list

4GA/B
M4GA/B
MN4GA/B
4GA/B (mastr)
4GD/E
M4GD/E
MN4GD/E
4GA4/B4
MN3E
MN4E
W4GA/B2
W4GB4
4TB
4L2-4/
LMF0
MN3S0
MN4S0
4SA/B0
4KA/B
4KA/B (mastr)
4F
4F (mastr)
PV5G
GMF
PV5
GMF
PV5S-0
3QR
3QB
MV3QR
3MA/B0
3PA/B
P/M/B
NP/NAP/
NVP
4F*0EX
4F*0E
HMV
HSV
2QV
3QV
SKH
PCD
Silencer
TotAirSys
(Total Air)
TotAirSys
(Gamma)
Ending

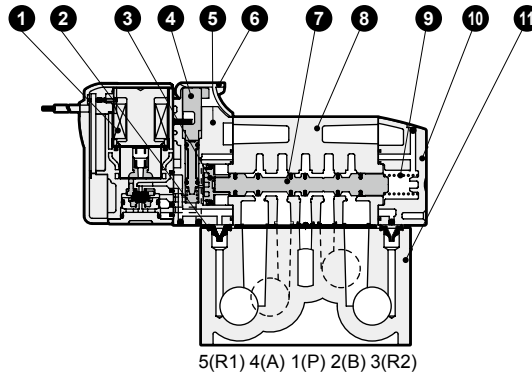
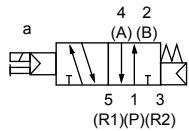
3GE1660R

- Two 3-port valves integrated
- Grommet lead wire (blank)

Refer to page 390.

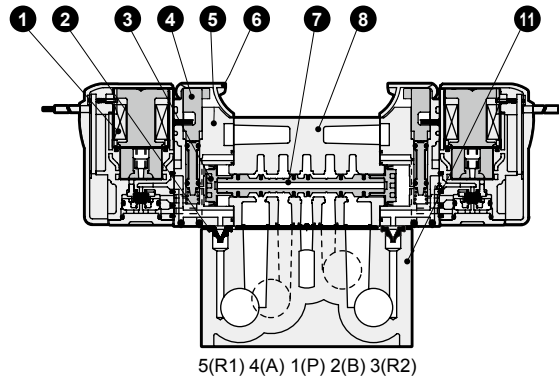
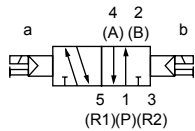
4GE110R

- 2-position single
- Grommet lead wire (blank)



4GE120R

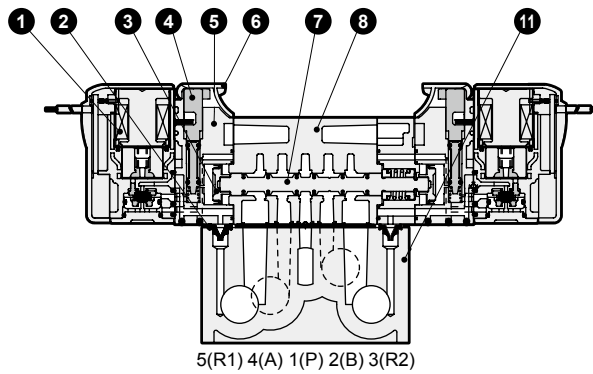
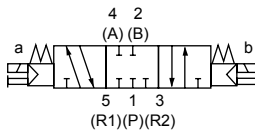
- 2-position double
- Grommet lead wire (blank)



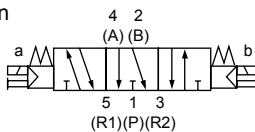
4GE1³/₄/₅0R

- 3-position
- Grommet lead wire (blank)

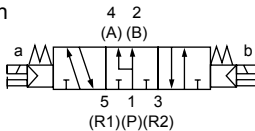
All ports closed



A/B/R connection



P/A/B connection



Main parts list

Parts list

No.	Part name	Material	No.	Part name	Material
1	Coil assembly	-	1	Coil assembly	4GR -electrical connections- □ - COIL -voltage
2	Pilot exhaust check valve	Hydrogenated nitrile rubber			Blank: Standard
3	Piston D assembly	-			A: Ozone specifications
4	Manual override	Resin			Blank: Grommet lead wire
5	Piston chamber	Resin			
6	Manual protection cover	Resin			
7	Spool assembly	-			
8	Body	Aluminum alloy die-casting			
9	Spool spring	Stainless steel			
10	Cap	Resin			
11	Sub-plate	Aluminum alloy die-casting			

Internal structure and parts list

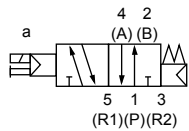
3GE2660R

- Two 3-port valves integrated
- Grommet lead wire (blank)

Refer to page 390.

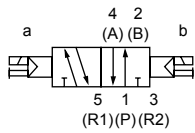
4GE210R/4GE310R

- 2-position single
- Grommet lead wire (blank)



4GE220R/4GE320R

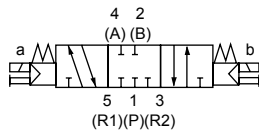
- 2-position double
- Grommet lead wire (blank)



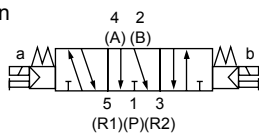
4GE2³₄0R/4GE3³₄0R

- 3-position
- Grommet lead wire (blank)

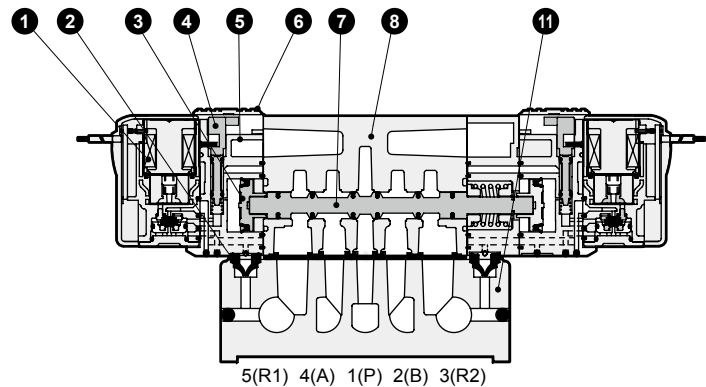
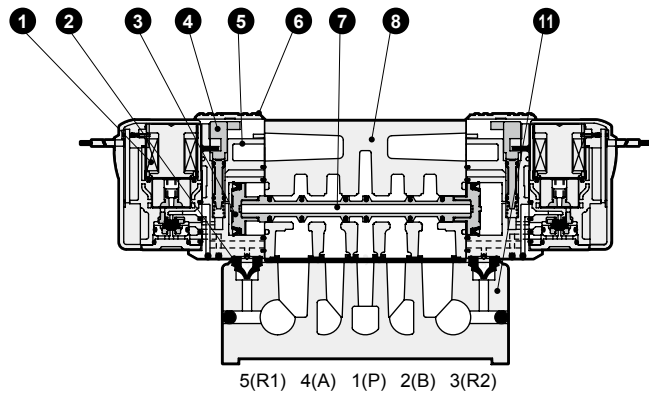
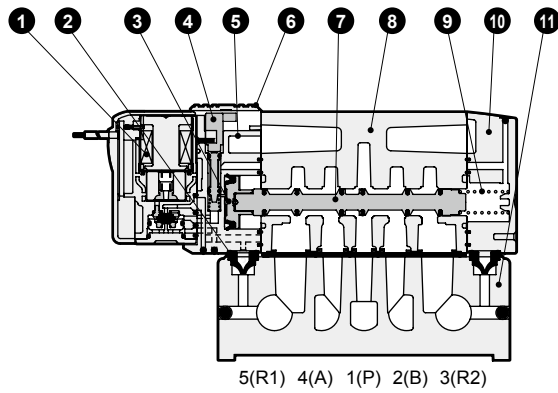
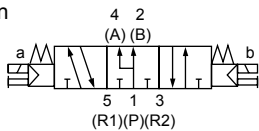
All ports closed



A/B/R connection



P/A/B connection



Main parts list

No.	Part name	Material
1	Coil assembly	-
2	Pilot exhaust check valve	Hydrogenated nitrile rubber
3	Piston D assembly	-
4	Manual override	Resin
5	Piston chamber	Resin
6	Manual protection cover	Resin
7	Spool assembly	-
8	Body	Aluminum alloy die-casting
9	Spool spring	Stainless steel
10	Cap	Resin
11	Sub-plate	Aluminum alloy die-casting

Parts list

No.	Part name	Material
1	Coil assembly	4GR - [electrical connections] - [voltage] Blank: Standard A: Ozone specifications Blank: Grommet lead wire

4GA/B
M4GA/B
MN4GA/B
4GA/B (mastr)
4GD/E
M4GD/E
MN4GD/E
4GA4/B4
MN3E
MN4E
W4GA/B2
W4GB4
4TB
4L2-4/LMF0
MN3S0
MN4S0
4SA/B0
4KA/B
4KA/B (mastr)
4F
4F (mastr)
PV5G
GMF
PV5
GMF
PV5S-0
3QR
3QB
MV3QR
3MA/B0
3PA/B
P/M/B
NP/NAP/NVP
4F*0EX
4F*0E
HMV
HSV
2QV
3QV
SKH
PCD
Silencer
TotAirSys (Total Air)
TotAirSys (Gamma)
Ending

3GE1/2 Series

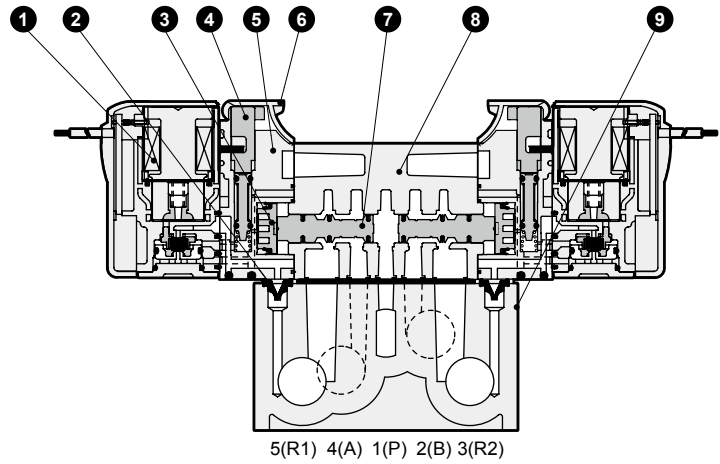
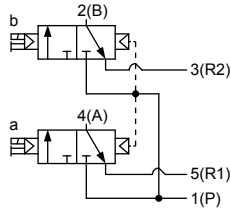
Single valve; base piping

Internal structure and parts list

- 4GA/B
- M4GA/B
- MN4GA/B
- 4GA/B (mastr)
- 4GD/E
- M4GD/E
- MN4GD/E
- 4GA4/B4
- MN3E
MN4E
- W4GA/B2
- W4GB4
- 4TB
- 4L2-4/
LMF0
- MN3S0
MN4S0
- 4SA/B0
- 4KA/B
- 4KA/B (mastr)
- 4F
- 4F (mastr)
- PV5G
GMF
- PV5
GMF
- PV5S-0
- 3QR
3QB
- MV3QR
- 3MA/B0
- 3PA/B
- P/M/B
- NP/NAP/
NVP
- 4F*0EX
- 4F*0E
- HMV
HSV
- 2QV
3QV
- SKH
- PCD
- Silencer
- TotAirSys
(Total Air)
- TotAirSys
(Gamma)
- Ending

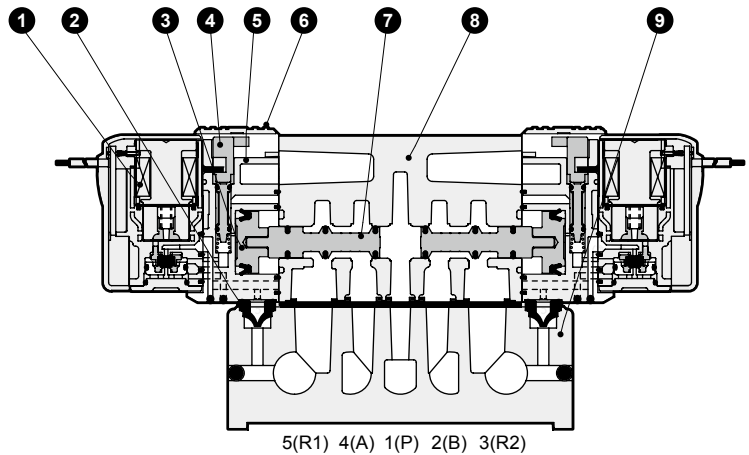
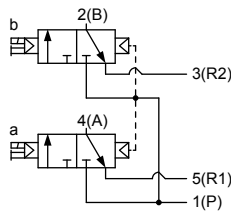
3GE1660R

- Two 3-port valves integrated
- Grommet lead wire (blank)
- A side valve: normally closed,
- B side valve: normally closed
- NC/NC



3GE2660R

- Two 3-port valves integrated
- Grommet lead wire (blank)
- A side valve: normally closed,
- B side valve: normally closed
- NC/NC



Main parts list

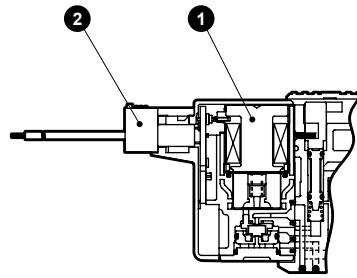
No.	Part name	Material
1	Coil assembly	-
2	Pilot exhaust check valve	Hydrogenated nitrile rubber
3	Piston assembly	-
4	Manual override	Resin
5	Piston chamber	Resin
6	Manual protection cover	Resin
7	Spool assembly	-
8	Body	Aluminum alloy die-casting
9	Sub-plate	Aluminum alloy die-casting

Parts list

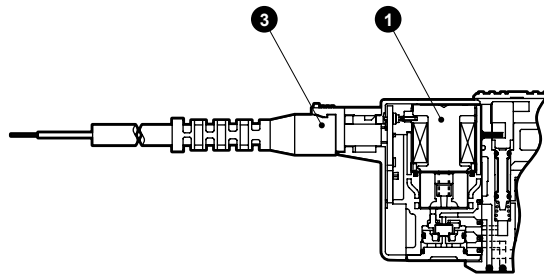
No.	Part name	Material
1	Coil assembly	4GR -electrical connections- □ - COIL - voltage Blank: Standard A: Ozone specs Blank: Grommet lead wire

Electrical connections internal structure and parts list

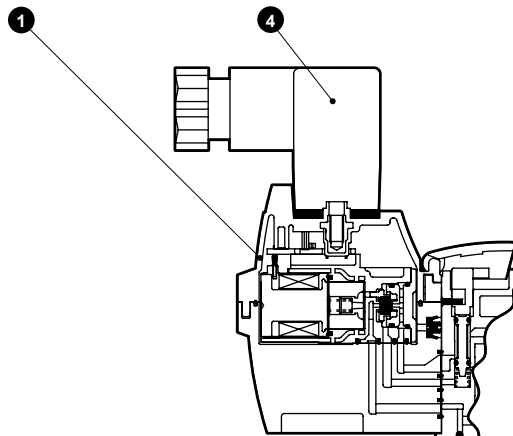
● E type connector E □□



● EJ type connector E □□ J



● DIN terminal box B



Main parts list

No.	Part name	Material
1	Coil assembly	
2	E type connector socket assembly	-
3	Socket assembly with cover	-
4	DIN terminal box assembly	-

Parts list

No.	Part name	Material
1	Coil assembly	4GR-[electrical connections]-□-COIL-[voltage] Blank: Standard A: Ozone specifications E* : E type connector E*J : Socket with cover type B* : DIN terminal box B includes the DIN terminal box BN does not include the DIN terminal box
2	E type connector socket assembly	4GR-SOCKET-ASSY-E**-[Voltage]
3	Socket assembly with cover	4GR-SOCKET-ASSY-E**J
4	DIN terminal box assembly	4GR-TERMINAL-BOX-[Voltage]

4GA/B
M4GA/B
MN4GA/B
4GA/B (mastr)
4GD/E
M4GD/E
MN4GD/E
4GA4/B4
MN3E
MN4E
W4GA/B2
W4GB4
4TB
4L2-4/LMFO
MN3S0
MN4S0
4SA/B0
4KA/B
4KA/B (mastr)
4F
4F (mastr)
PV5G
GMF
PV5
GMF
PV5S-0
3QR
3QB
MV3QR
3MA/B0
3PA/B
P/M/B
NP/NAP/
NVP
4F*0EX
4F*0E
HMV
HSV
2QV
3QV
SKH
PCD
Silencer
TotAirSys (Total Air)
TotAirSys (Gamma)
Ending

4GE1 Series

Single valve; base piping

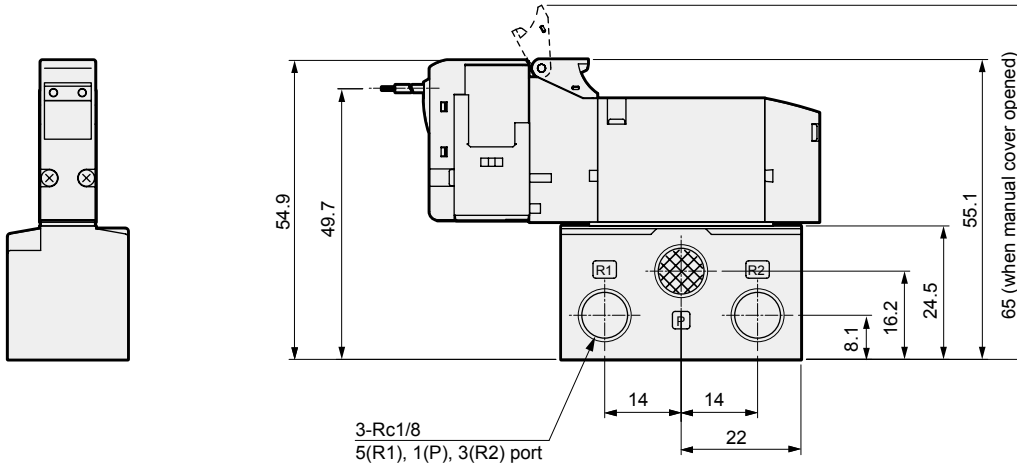
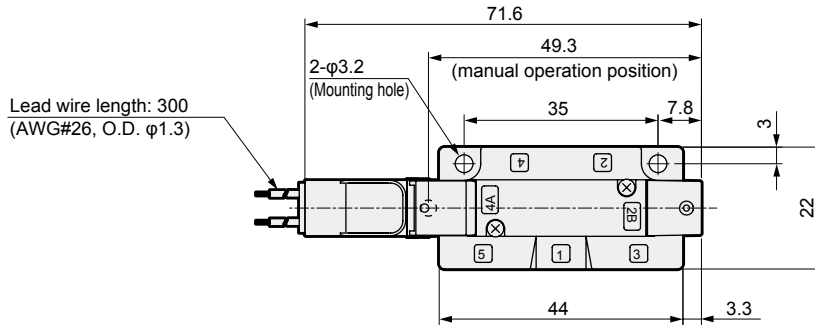
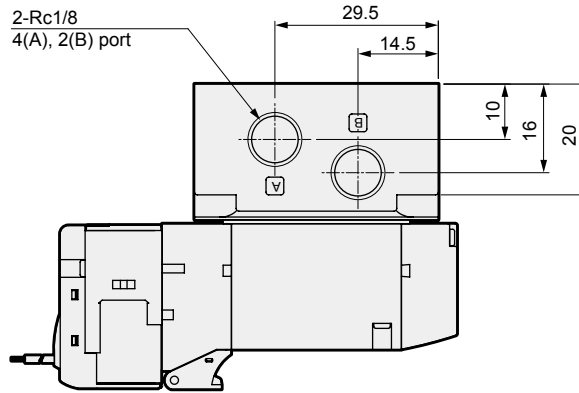
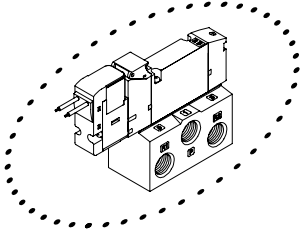
Dimensions



- 4GA/B
- M4GA/B
- MN4GA/B
- 4GA/B (mastr)
- 4GD/E
- M4GD/E
- MN4GD/E
- 4GA4/B4
- MN3E
- MN4E
- W4GA/B2
- W4GB4
- 4TB
- 4L2-4/LMF0
- MN3S0
- MN4S0
- 4SA/B0
- 4KA/B
- 4KA/B (mastr)
- 4F
- 4F (mastr)
- PV5G
- GMF
- PV5
- GMF
- PV5S-0
- 3QR
- 3QB
- MV3QR
- 3MA/B0
- 3PA/B
- P/M/B
- NP/NAP/NVP
- 4F*0EX
- 4F*0E
- HMV
- HSV
- 2QV
- 3QV
- SKH
- PCD
- Silencer
- TotAirSys (Total Air)
- TotAirSys (Gamma)
- Ending

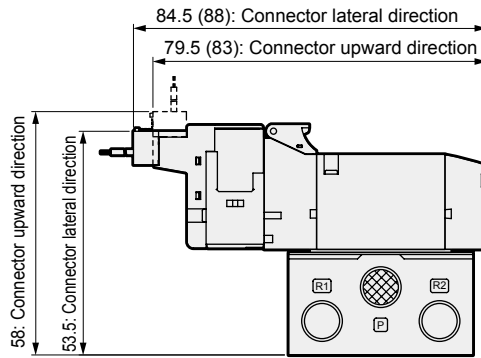
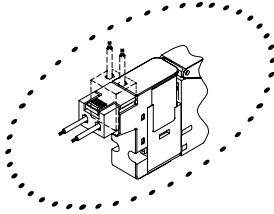
4GE110R

● 2-position single grommet lead wire (blank)



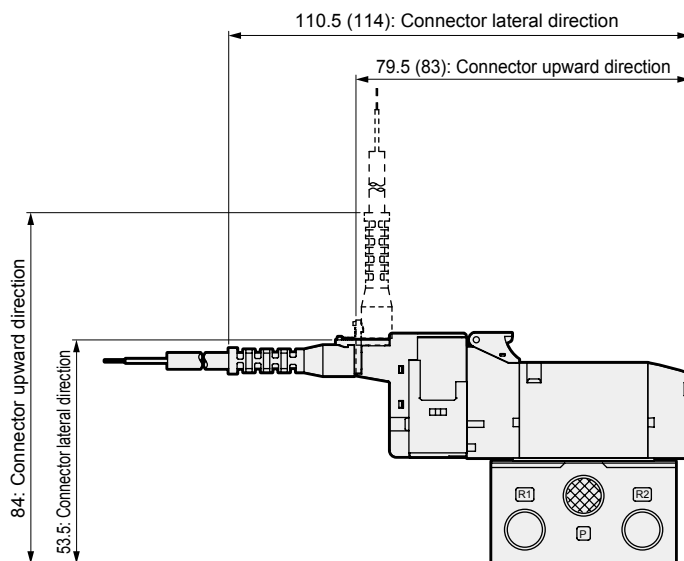
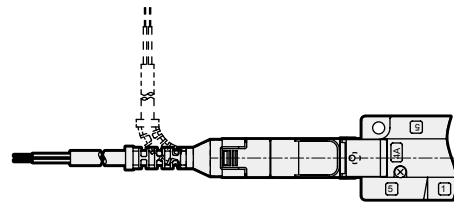
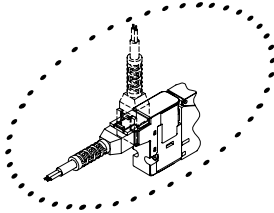
Dimensions

● E type connector (E)



Note: Values in () are for AC voltage.

● EJ type connector (E**J)



Note: Values in () are for AC voltage.

4GA/B
M4GA/B
MN4GA/B
4GA/B (mastr)
4GD/E
M4GD/E
MN4GD/E
4GA4/B4
MN3E
MN4E
W4GA/B2
W4GB4
4TB
4L2-4/LMF0
MN3S0
MN4S0
4SA/B0
4KA/B
4KA/B (mastr)
4F
4F (mastr)
PV5G
GMF
PV5
GMF
PV5S-0
3QR
3QB
MV3QR
3MA/B0
3PA/B
P/M/B
NP/NAP/NVP
4F*0EX
4F*0E
HMV
HSV
2QV
3QV
SKH
PCD
Silencer
TotAirSys (Total Air)
TotAirSys (Gamma)
Ending

4GE1 Series

Single valve; base piping



Dimensions

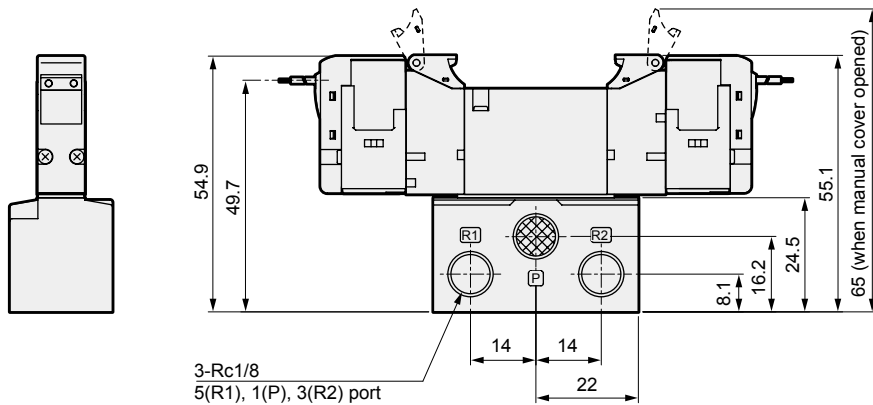
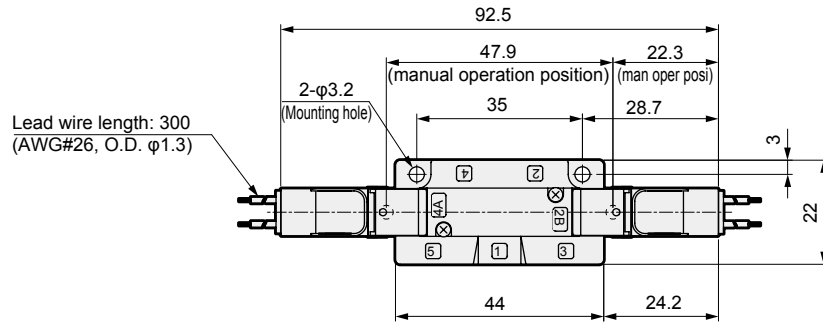
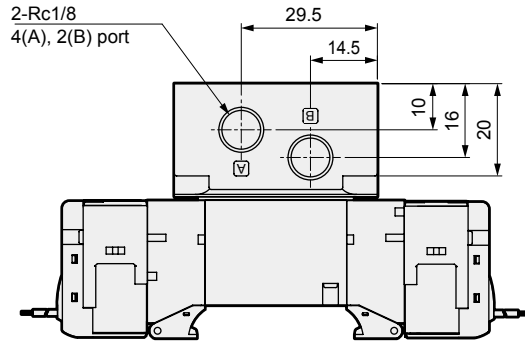
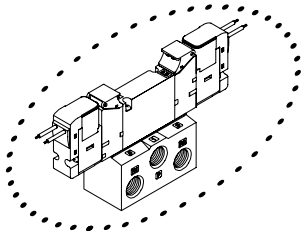
- 4GA/B
- M4GA/B
- MN4GA/B
- 4GA/B (mastr)
- 4GD/E
- M4GD/E
- MN4GD/E
- 4GA4/B4
- MN3E
- MN4E
- W4GA/B2
- W4GB4
- 4TB
- 4L2-4/LMF0
- MN3S0
- MN4S0
- 4SA/B0
- 4KA/B
- 4KA/B (mastr)
- 4F
- 4F (mastr)
- PV5G
- GMF
- PV5
- GMF
- PV5S-0
- 3QR
- 3QB
- MV3QR
- 3MA/B0
- 3PA/B
- P/M/B
- NP/NAP/NVP
- 4F*0EX
- 4F*0E
- HMV
- HSV
- 2QV
- 3QV
- SKH
- PCD
- Silencer
- TotAirSys (Total Air)
- TotAirSys (Gamma)
- Ending

4GE120R

- 2-position double grommet lead wire (blank)

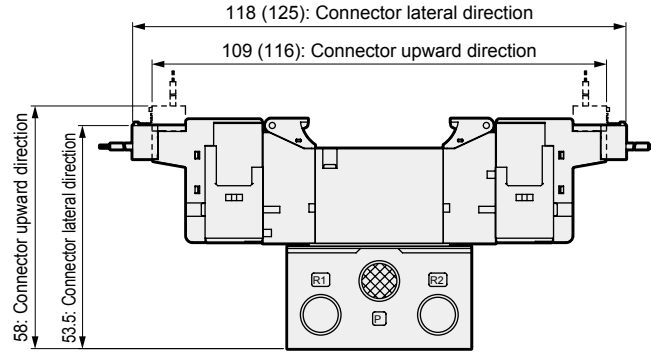
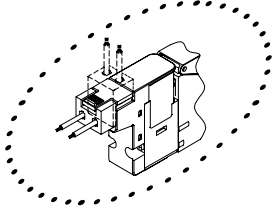
3GE1660R

- Two 3-port valves integrated grommet lead wire (blank)



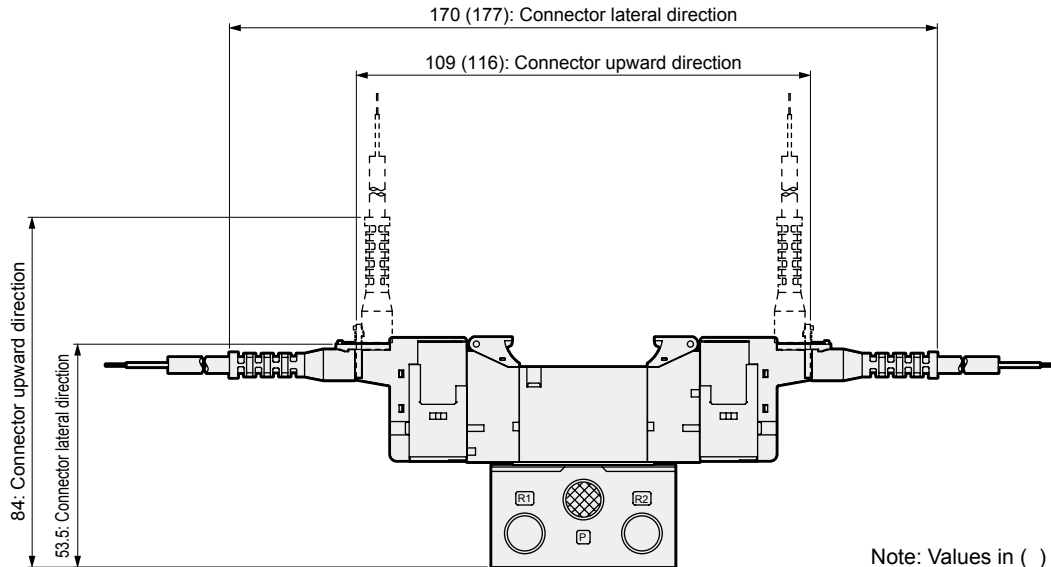
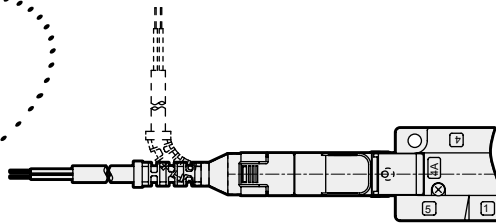
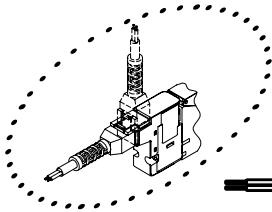
Dimensions

● E type connector (E)



Note: Values in () are for AC voltage.

● EJ type connector (E**J)



Note: Values in () are for AC voltage.

4GA/B
M4GA/B
MN4GA/B
4GA/B (mastr)
4GD/E
M4GD/E
MN4GD/E
4GA4/B4
MN3E
MN4E
W4GA/B2
W4GB4
4TB
4L2-4/ LMF0
MN3S0
MN4S0
4SA/B0
4KA/B
4KA/B (mastr)
4F
4F (mastr)
PV5G
GMF
PV5
GMF
PV5S-0
3QR
3QB
MV3QR
3MA/B0
3PA/B
P/M/B
NP/NAP/ NVP
4F*0EX
4F*0E
HMV
HSV
2QV
3QV
SKH
PCD
Silencer
TotAirSys (Total Air)
TotAirSys (Gamma)
Ending

4GE1 Series

Single valve; base piping

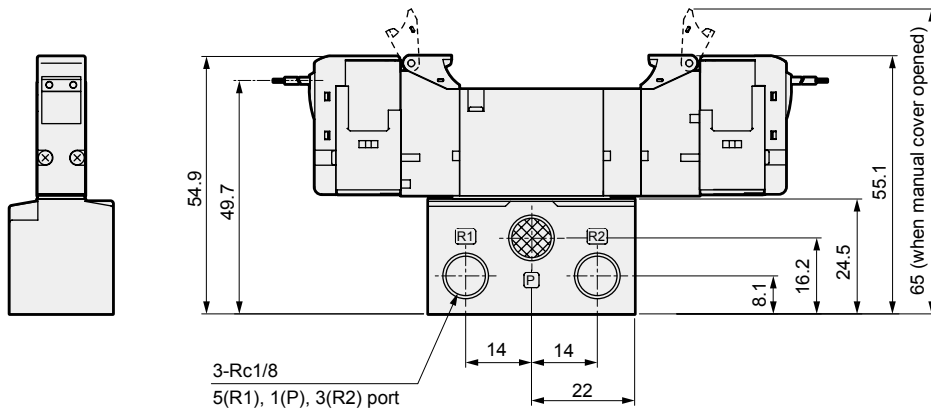
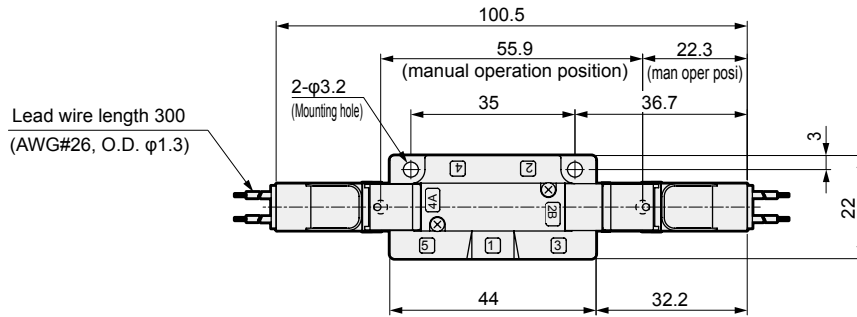
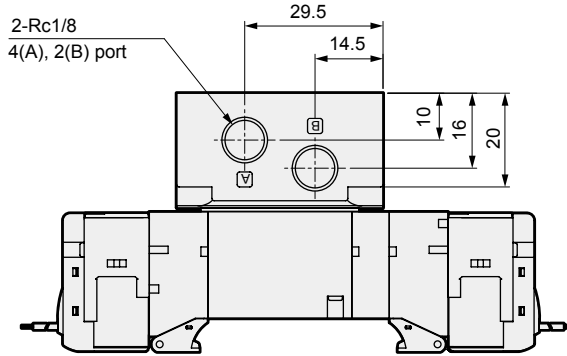
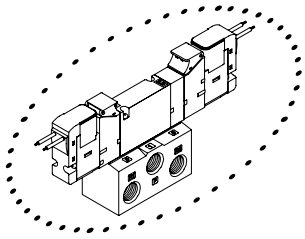
Dimensions



- 4GA/B
- M4GA/B
- MN4GA/B
- 4GA/B (mastr)
- 4GD/E
- M4GD/E
- MN4GD/E
- 4GA4/B4
- MN3E
- MN4E
- W4GA/B2
- W4GB4
- 4TB
- 4L2-4/LMF0
- MN3S0
- MN4S0
- 4SA/B0
- 4KA/B
- 4KA/B (mastr)
- 4F
- 4F (mastr)
- PV5G
- GMF
- PV5
- GMF
- PV5S-0
- 3QR
- 3QB
- MV3QR
- 3MA/B0
- 3PA/B
- P/M/B
- NP/NAP/NVP
- 4F*0EX
- 4F*0E
- HMV
- HSV
- 2QV
- 3QV
- SKH
- PCD
- Silencer
- TotAirSys (Total Air)
- TotAirSys (Gamma)
- Ending

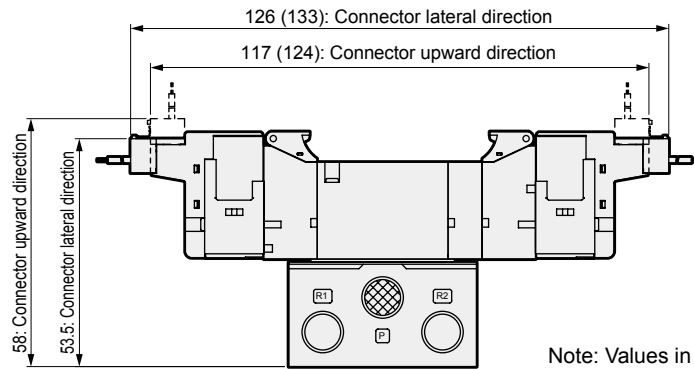
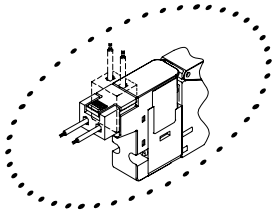
4GE10R

● 3-position grommet lead wire (blank)



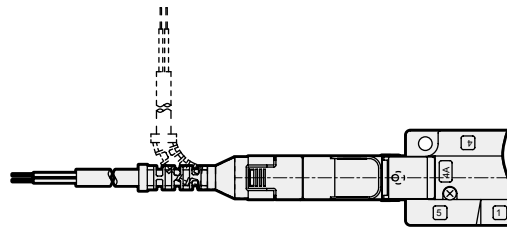
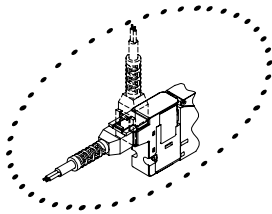
Dimensions

● E type connector (E)



Note: Values in () are for AC voltage.

● EJ type connector (E**J)



Note: Values in () are for AC voltage.

4GA/B
M4GA/B
MN4GA/B
4GA/B (mastr)
4GD/E
M4GD/E
MN4GD/E
4GA4/B4
MN3E
MN4E
W4GA/B2
W4GB4
4TB
4L2-4/LMF0
MN3S0
MN4S0
4SA/B0
4KA/B
4KA/B (mastr)
4F
4F (mastr)
PV5G
GMF
PV5
GMF
PV5S-0
3QR
3QB
MV3QR
3MA/B0
3PA/B
P/M/B
NP/NAP/NVP
4F*0EX
4F*0E
HMV
HSV
2QV
3QV
SKH
PCD
Silencer
TotAirSys (Total Air)
TotAirSys (Gamma)
Ending

4GE2 Series

Single valve; base piping

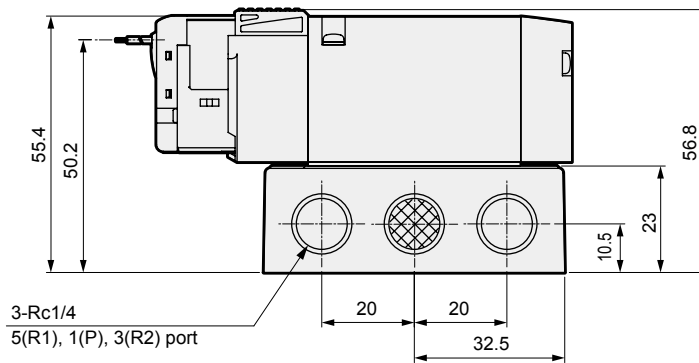
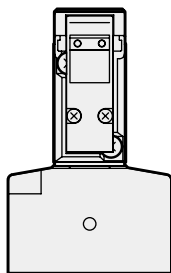
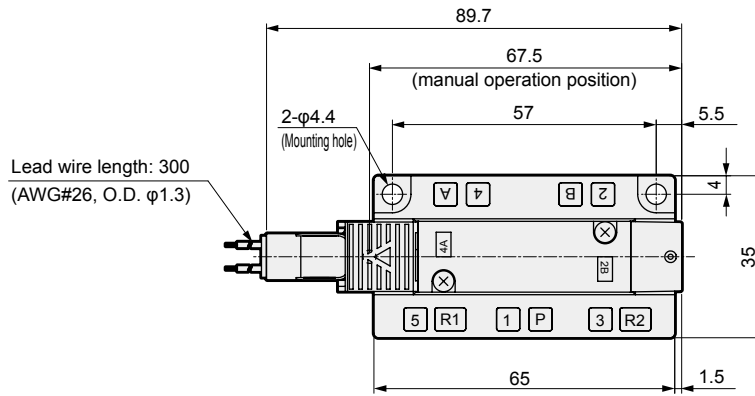
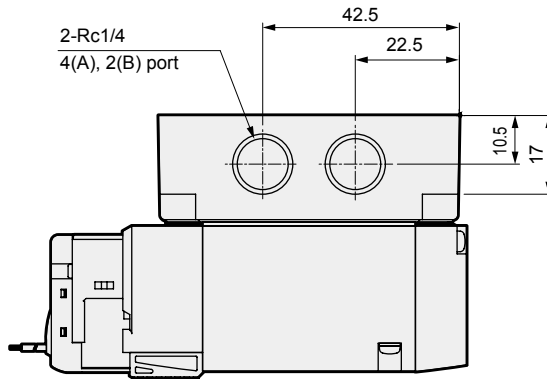
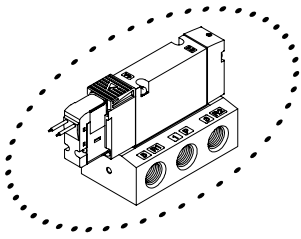
Dimensions



- 4GA/B
- M4GA/B
- MN4GA/B
- 4GA/B (mastr)
- 4GD/E
- M4GD/E
- MN4GD/E
- 4GA4/B4
- MN3E
- MN4E
- W4GA/B2
- W4GB4
- 4TB
- 4L2-4/LMF0
- MN3S0
- MN4S0
- 4SA/B0
- 4KA/B
- 4KA/B (mastr)
- 4F
- 4F (mastr)
- PV5G GMF
- PV5 GMF
- PV5S-0
- 3QR
- 3QB
- MV3QR
- 3MA/B0
- 3PA/B
- P/M/B
- NP/NAP/NVP
- 4F*0EX
- 4F*0E
- HMV
- HSV
- 2QV
- 3QV
- SKH
- PCD
- Silencer
- TotAirSys (Total Air)
- TotAirSys (Gamma)
- Ending

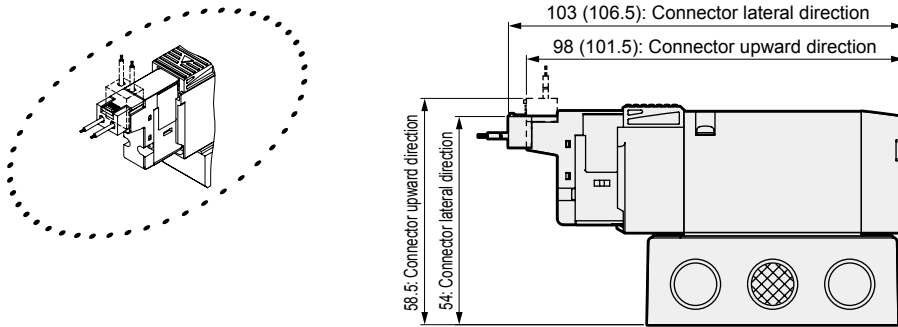
4GE210R

● 2-position single grommet lead wire (blank)



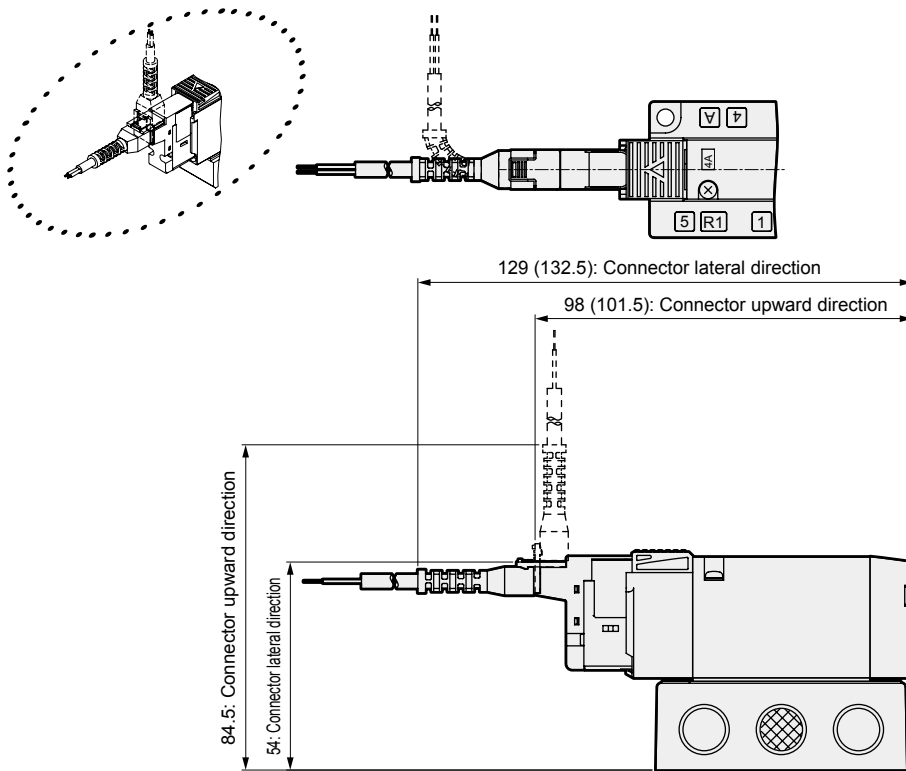
Dimensions

● E type connector (E)



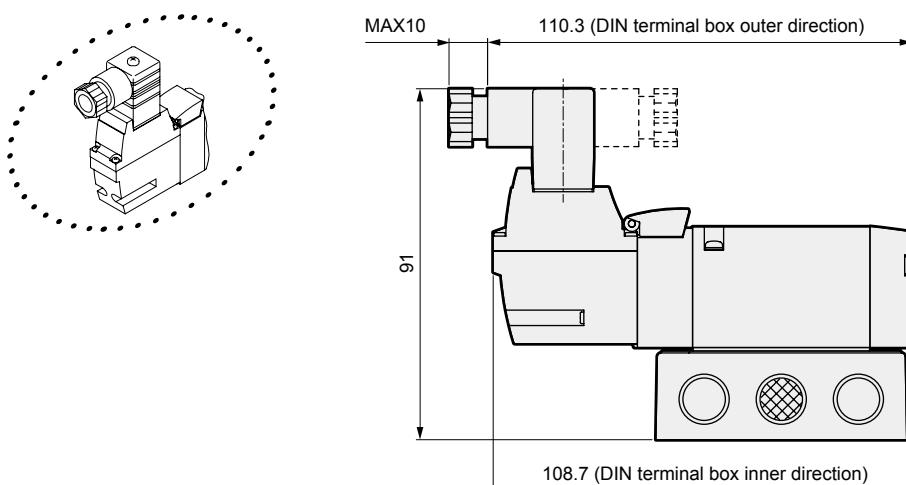
Note: Values in () are for AC voltage.

● EJ type connector (E**J)



Note: Values in () are for AC voltage.

● DIN terminal box (B)



Note: DIN terminal box assembly is shipped facing inward.

4GA/B
M4GA/B
MN4GA/B
4GA/B (mastr)
4GD/E
M4GD/E
MN4GD/E
4GA4/B4
MN3E
MN4E
W4GA/B2
W4GB4
4TB
4L2-4/LMF0
MN3S0
MN4S0
4SA/B0
4KA/B
4KA/B (mastr)
4F
4F (mastr)
PV5G
GMF
PV5
GMF
PV5S-0
3QR
3QB
MV3QR
3MA/B0
3PA/B
P/M/B
NP/NAP/NVP
4F*0EX
4F*0E
HMV
HSV
2QV
3QV
SKH
PCD
Silencer
TotAirSys (Total Air)
TotAirSys (Gamma)
Ending

4GE2 Series

Single valve; base piping

Dimensions



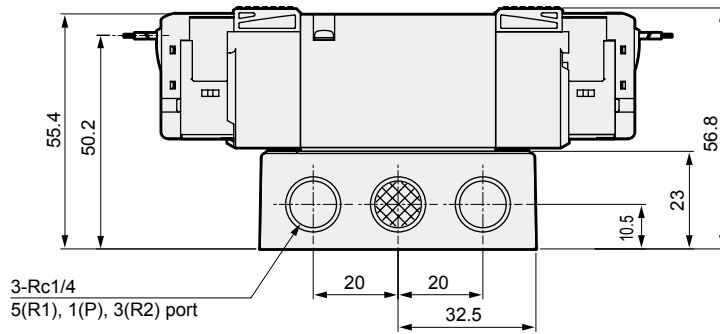
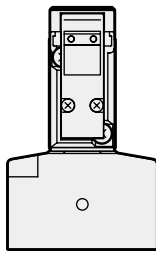
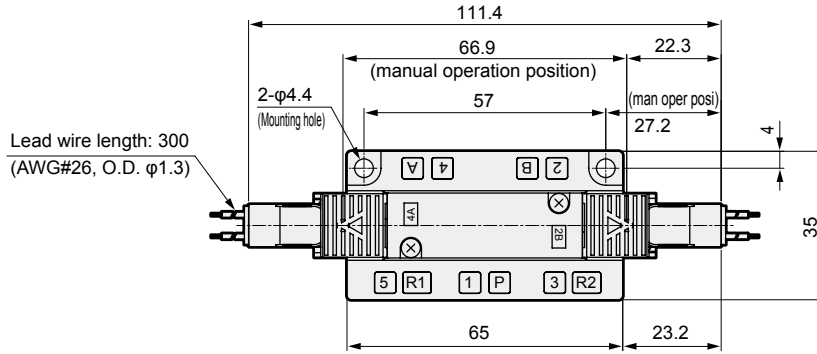
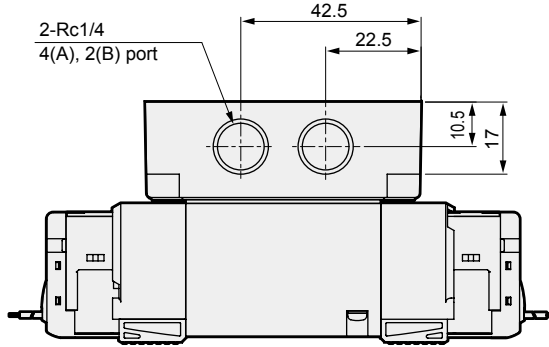
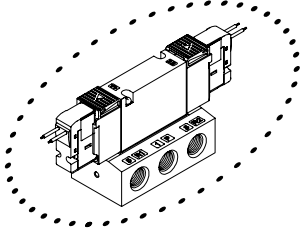
- 4GA/B
- M4GA/B
- MN4GA/B
- 4GA/B (mastr)
- 4GD/E
- M4GD/E
- MN4GD/E
- 4GA4/B4
- MN3E
- MN4E
- W4GA/B2
- W4GB4
- 4TB
- 4L2-4/ LMF0
- MN3S0
- MN4S0
- 4SA/B0
- 4KA/B
- 4KA/B (mastr)
- 4F
- 4F (mastr)
- PV5G
- GMF
- PV5
- GMF
- PV5S-0
- 3QR
- 3QB
- MV3QR
- 3MA/B0
- 3PA/B
- P/M/B
- NP/NAP/ NVP
- 4F*0EX
- 4F*0E
- HMV
- HSV
- 2QV
- 3QV
- SKH
- PCD
- Silencer
- TotAirSys (Total Air)
- TotAirSys (Gamma)
- Ending

4GE220R

- 2-position double grommet lead wire (blank)

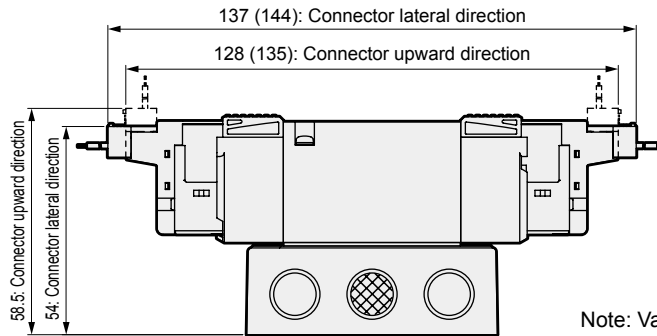
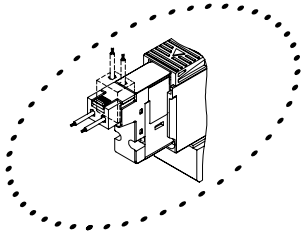
3GE2660R

- Two 3-port valves integrated grommet lead wire (blank)



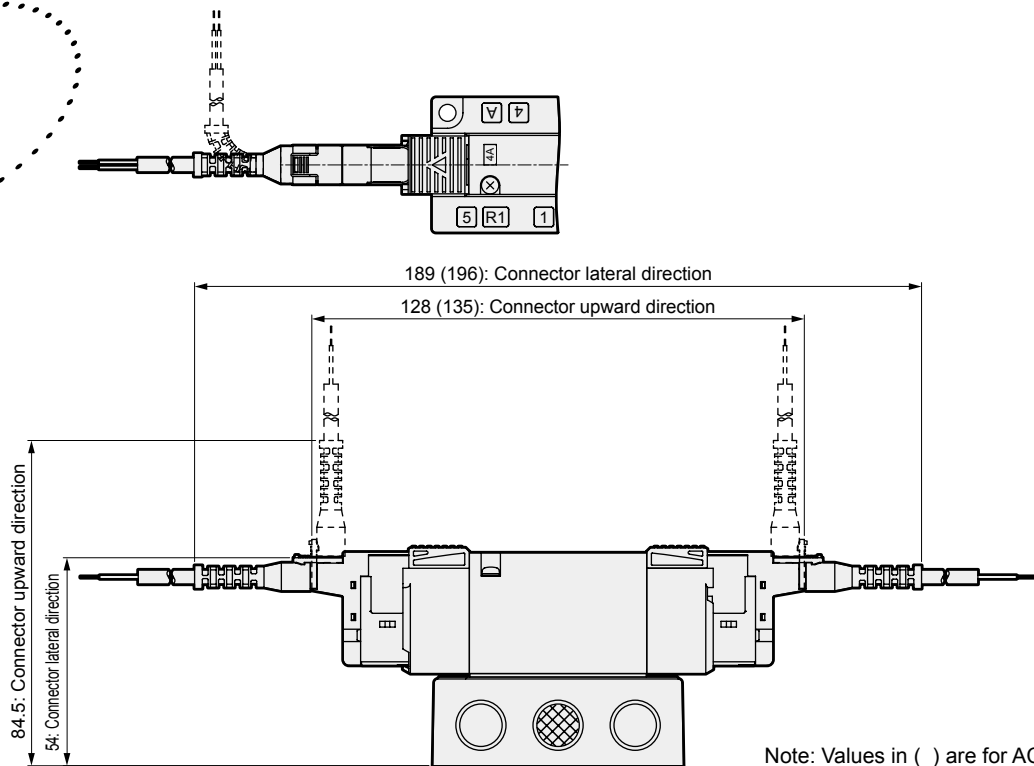
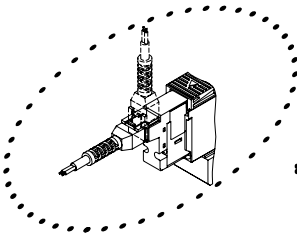
Dimensions

● E type connector (E)



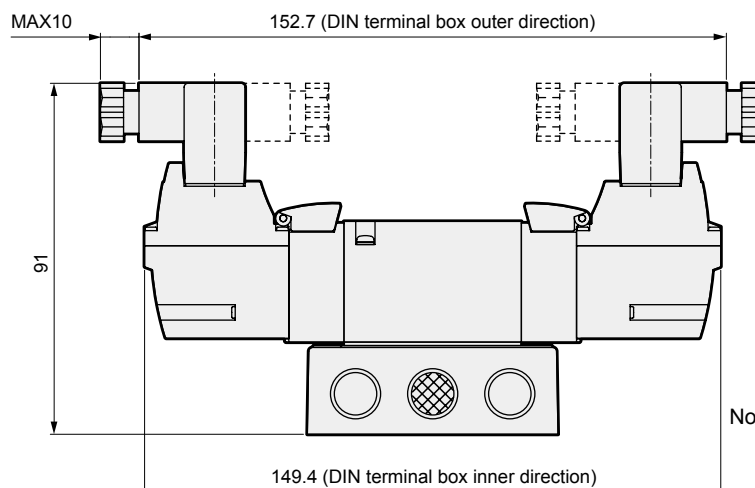
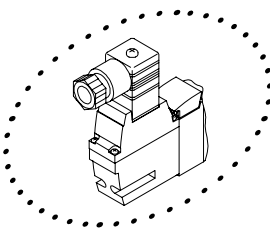
Note: Values in () are for AC voltage.

● EJ type connector (E**J)



Note: Values in () are for AC voltage.

● DIN terminal box (B)



Note: DIN terminal box assembly is shipped facing inward.

4GA/B
M4GA/B
MN4GA/B
4GA/B (mastr)
4GD/E
M4GD/E
MN4GD/E
4GA4/B4
MN3E
MN4E
W4GA/B2
W4GB4
4TB
4L2-4/LMF0
MN3S0
MN4S0
4SA/B0
4KA/B
4KA/B (mastr)
4F
4F (mastr)
PV5G
GMF
PV5
GMF
PV5S-0
3QR
3QB
MV3QR
3MA/B0
3PA/B
P/M/B
NP/NAP/NVP
4F*0EX
4F*0E
HMV
HSV
2QV
3QV
SKH
PCD
Silencer
TotAirSys (Total Air)
TotAirSys (Gamma)
Ending

4GE2 Series

Single valve; base piping

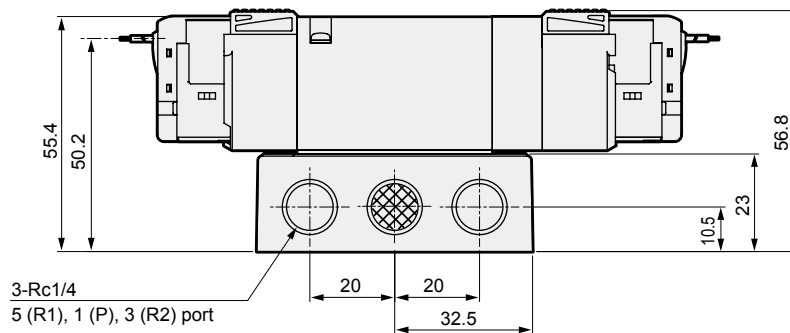
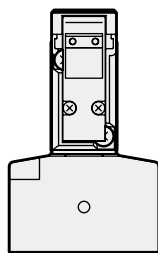
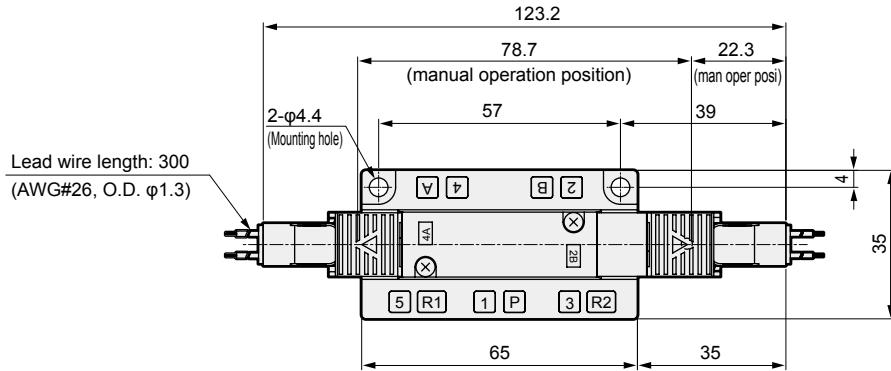
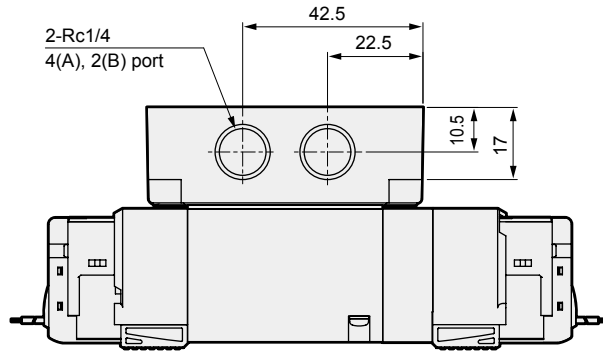
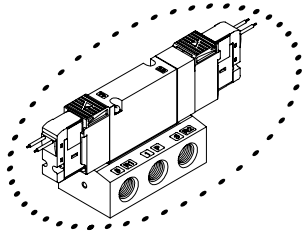
Dimensions



- 4GA/B
- M4GA/B
- MN4GA/B
- 4GA/B (mastr)
- 4GD/E
- M4GD/E
- MN4GD/E
- 4GA4/B4
- MN3E
- MN4E
- W4GA/B2
- W4GB4
- 4TB
- 4L2-4/LMF0
- MN3S0
- MN4S0
- 4SA/B0
- 4KA/B
- 4KA/B (mastr)
- 4F
- 4F (mastr)
- PV5G
- GMF
- PV5
- GMF
- PV5S-0
- 3QR
- 3QB
- MV3QR
- 3MA/B0
- 3PA/B
- P/M/B
- NP/NAP/NVP
- 4F*0EX
- 4F*0E
- HMV
- HSV
- 2QV
- 3QV
- SKH
- PCD
- Silencer
- TotAirSys (Total Air)
- TotAirSys (Gamma)
- Ending

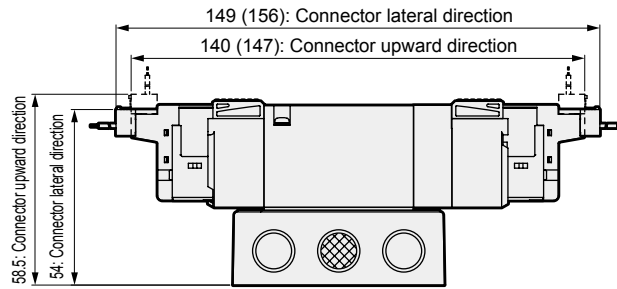
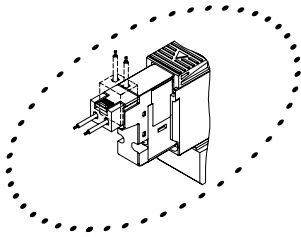
4GE2³0R

● 3-position grommet lead wire (blank)



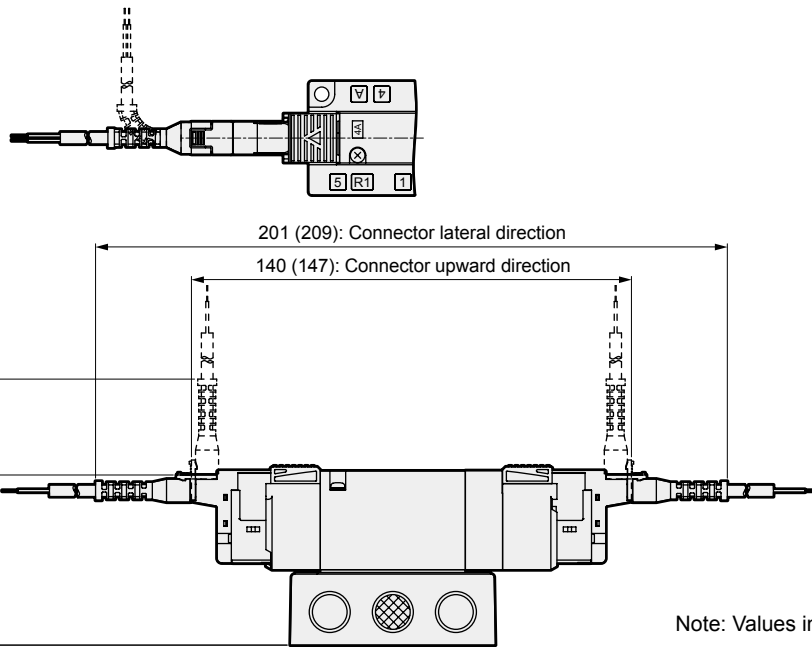
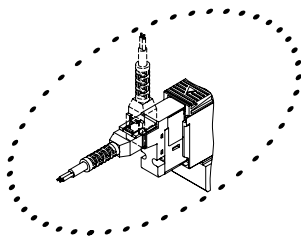
Dimensions

● E type connector (E)



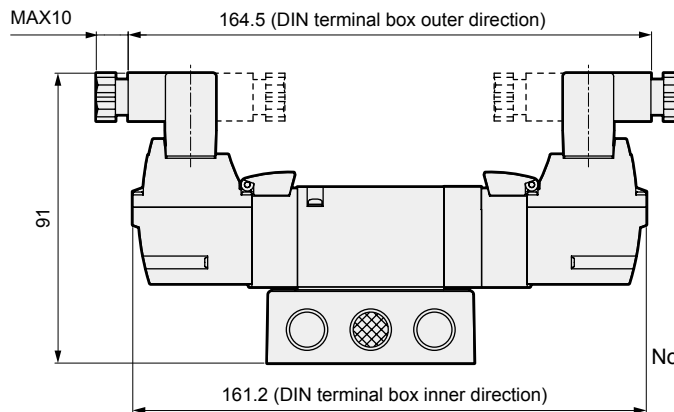
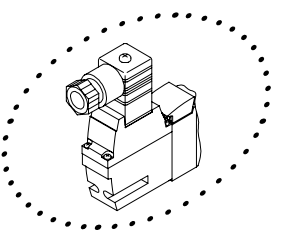
Note: Values in () are for AC voltage.

● EJ type connector (E**J)



Note: Values in () are for AC voltage.

● DIN terminal box (B)



Note: DIN terminal box assembly is shipped facing inward.

4GA/B
M4GA/B
MN4GA/B
4GA/B (mastr)
4GD/E
M4GD/E
MN4GD/E
4GA4/B4
MN3E
MN4E
W4GA/B2
W4GB4
4TB
4L2-4/LMF0
MN3S0
MN4S0
4SA/B0
4KA/B
4KA/B (mastr)
4F
4F (mastr)
PV5G
GMF
PV5
GMF
PV5S-0
3QR
3QB
MV3QR
3MA/B0
3PA/B
P/M/B
NP/NAP/NVP
4F*0EX
4F*0E
HMV
HSV
2QV
3QV
SKH
PCD
Silencer
TotAirSys (Total Air)
TotAirSys (Gamma)
Ending

4GE3 Series

Single valve; base piping

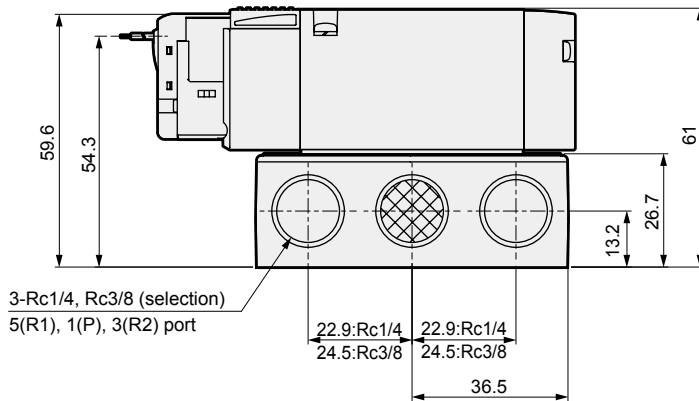
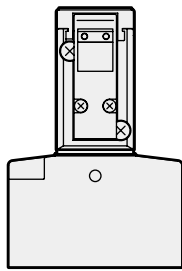
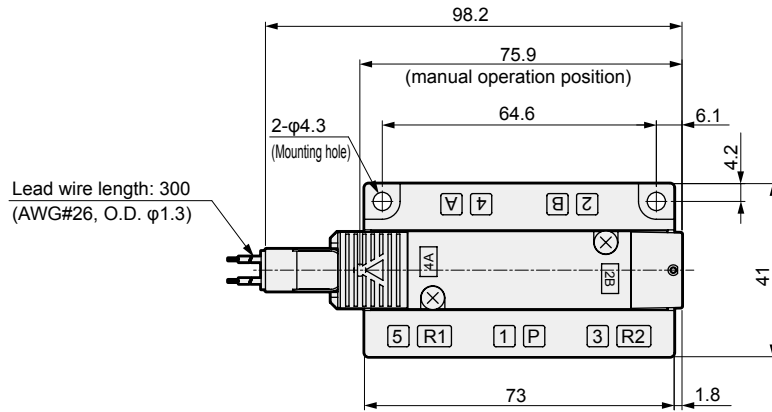
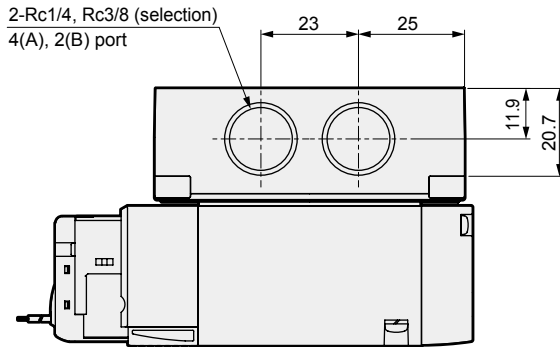
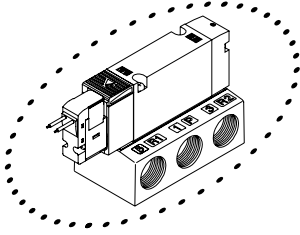
Dimensions



- 4GA/B
- M4GA/B
- MN4GA/B
- 4GA/B (mastr)
- 4GD/E
- M4GD/E
- MN4GD/E
- 4GA4/B4
- MN3E
- MN4E
- W4GA/B2
- W4GB4
- 4TB
- 4L2-4/LMF0
- MN3S0
- MN4S0
- 4SA/B0
- 4KA/B
- 4KA/B (mastr)
- 4F
- 4F (mastr)
- PV5G
- GMF
- PV5
- GMF
- PV5S-0
- 3QR
- 3QB
- MV3QR
- 3MA/B0
- 3PA/B
- P/M/B
- NP/NAP/NVP
- 4F*0EX
- 4F*0E
- HMV
- HSV
- 2QV
- 3QV
- SKH
- PCD
- Silencer
- TotAirSys (Total Air)
- TotAirSys (Gamma)
- Ending

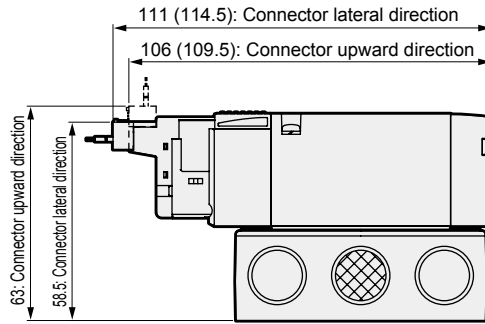
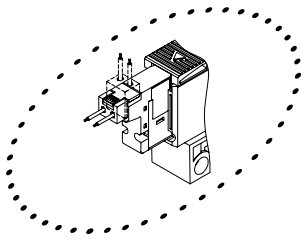
4GE310R

● 2-position single grommet lead wire (blank)



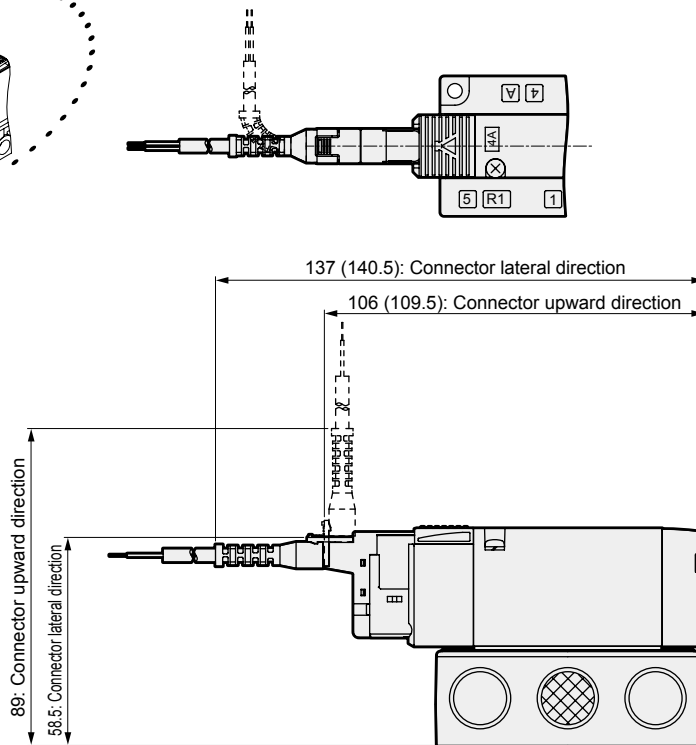
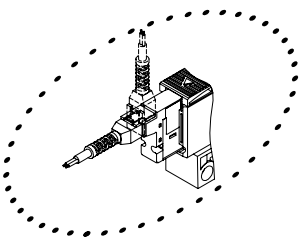
Dimensions

● E type connector (E)



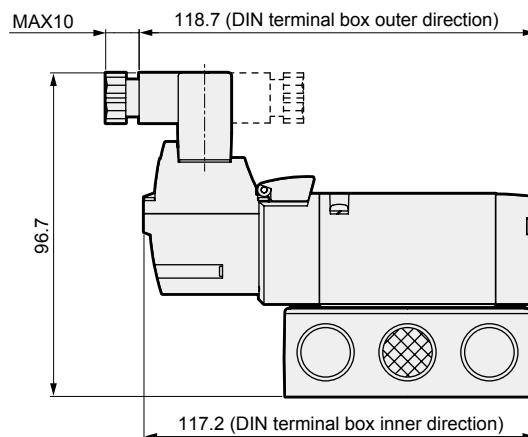
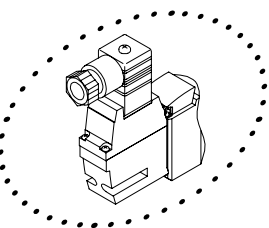
Note: Values in () are for AC voltage.

● EJ type connector (E**J)



Note: Values in () are for AC voltage.

● DIN terminal box (B)



Note: DIN terminal box assembly is shipped facing inward.

4GA/B
M4GA/B
MN4GA/B
4GA/B (mastr)
4GD/E
M4GD/E
MN4GD/E
4GA4/B4
MN3E
MN4E
W4GA/B2
W4GB4
4TB
4L2-4/LMF0
MN3S0
MN4S0
4SA/B0
4KA/B
4KA/B (mastr)
4F
4F (mastr)
PV5G
GMF
PV5
GMF
PV5S-0
3QR
3QB
MV3QR
3MA/B0
3PA/B
P/M/B
NP/NAP/NVP
4F*0EX
4F*0E
HMV
HSV
2QV
3QV
SKH
PCD
Silencer
TotAirSys (Total Air)
TotAirSys (Gamma)
Ending

4GE3 Series

Single valve; base piping

Dimensions



4GA/B

M4GA/B

MN4GA/B

4GA/B (mastr)

4GD/E

M4GD/E

MN4GD/E

4GA4/B4

MN3E

MN4E

W4GA/B2

W4GB4

4TB

4L2-4/

LMF0

MN3S0

MN4S0

4SA/B0

4KA/B

4KA/B (mastr)

4F

4F (mastr)

PV5G

GMF

PV5

GMF

PV5S-0

3QR

3QB

MV3QR

3MA/B0

3PA/B

P/M/B

NP/NAP/

NVP

4F*0EX

4F*0E

HMV

HSV

2QV

3QV

SKH

PCD

Silencer

TotAirSys

(Total Air)

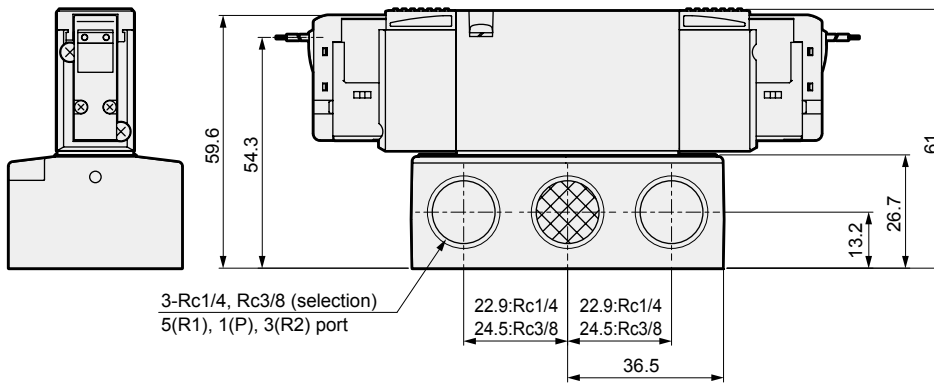
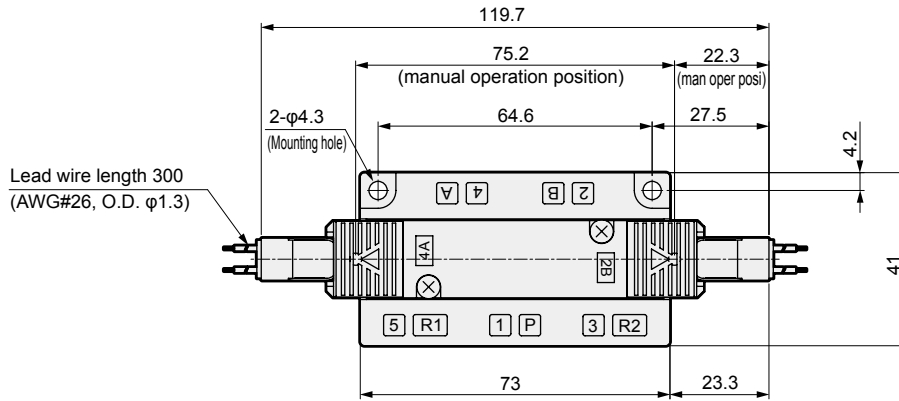
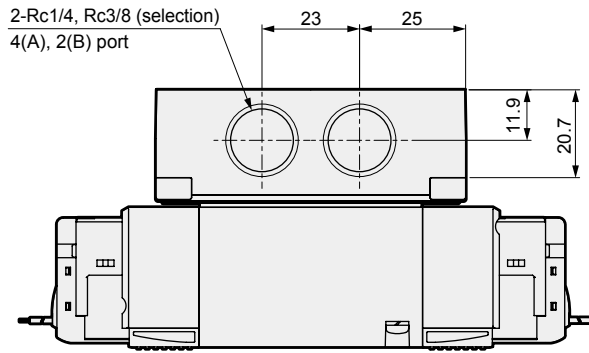
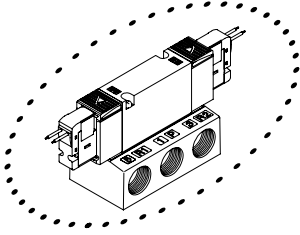
TotAirSys

(Gamma)

Ending

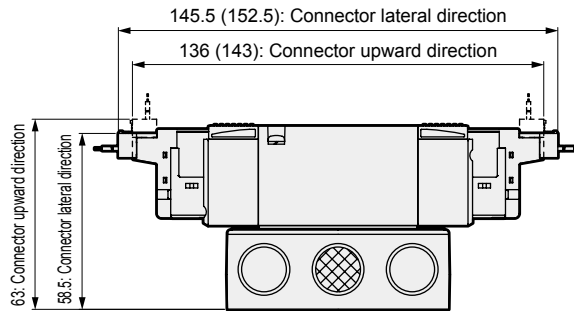
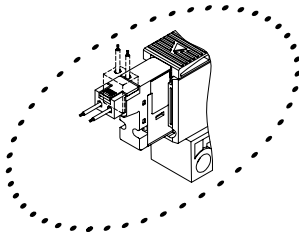
4GE320R

● 2-position double grommet lead wire (blank)



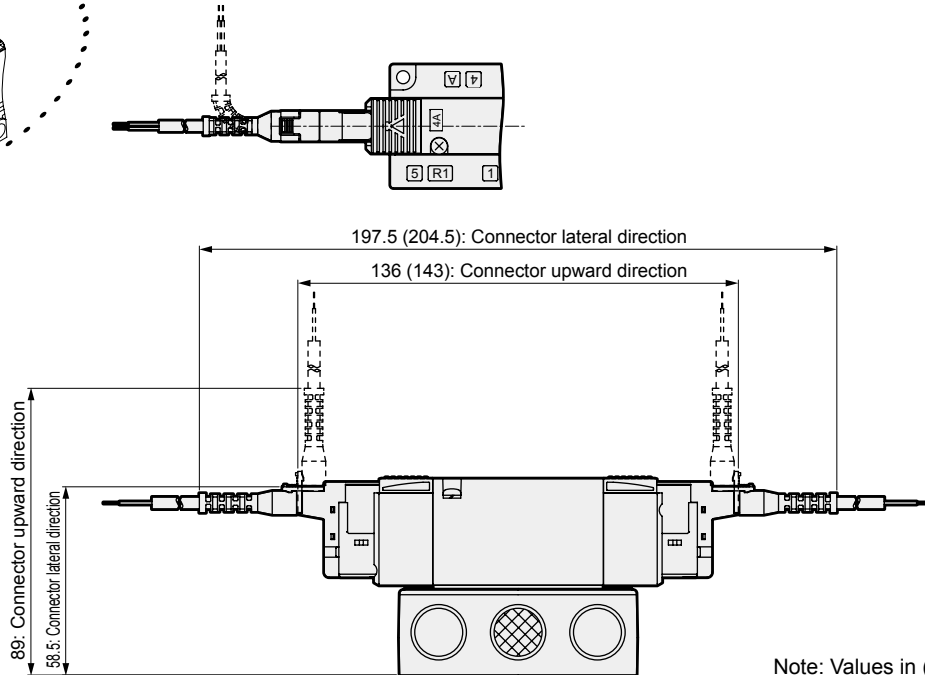
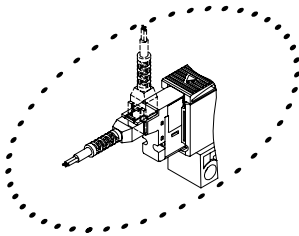
Dimensions

● E type connector (E)



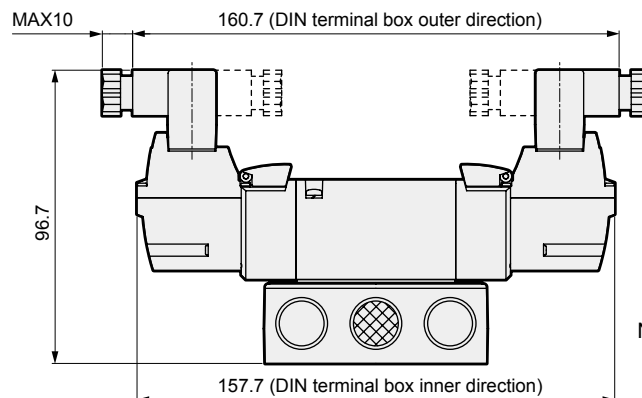
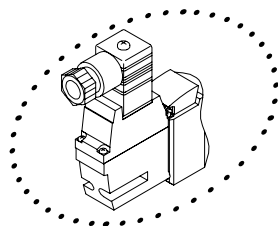
Note: Values in () are for AC voltage.

● EJ type connector (E**J)



Note: Values in () are for AC voltage.

● DIN terminal box (B)



Note: DIN terminal box assembly is shipped facing inward.

4GA/B
M4GA/B
MN4GA/B
4GA/B (mastr)
4GD/E
M4GD/E
MN4GD/E
4GA4/B4
MN3E
MN4E
W4GA/B2
W4GB4
4TB
4L2-4/ LMF0
MN3S0
MN4S0
4SA/B0
4KA/B
4KA/B (mastr)
4F
4F (mastr)
PV5G
GMF
PV5
GMF
PV5S-0
3QR
3QB
MV3QR
3MA/B0
3PA/B
P/M/B
NP/NAP/ NVP
4F*0EX
4F*0E
HMV
HSV
2QV
3QV
SKH
PCD
Silencer
TotAirSys (Total Air)
TotAirSys (Gamma)
Ending

4GE3 Series

Single valve; base piping

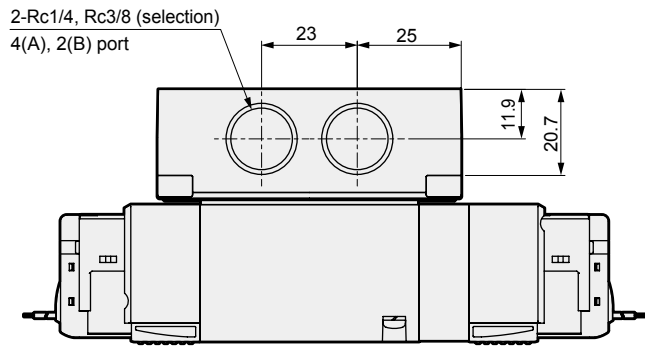
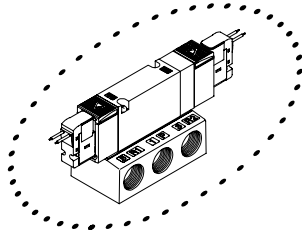
Dimensions



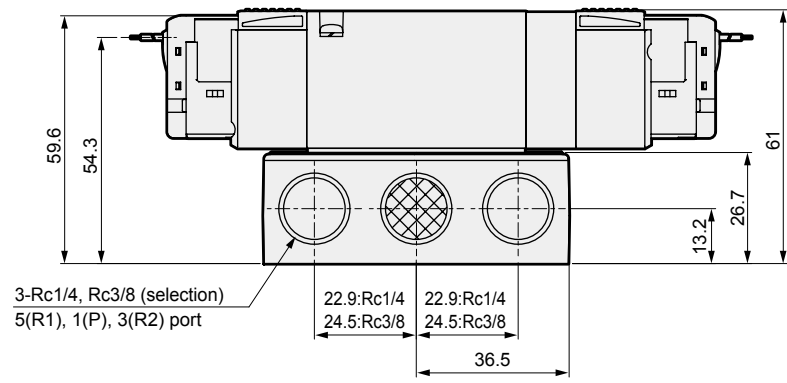
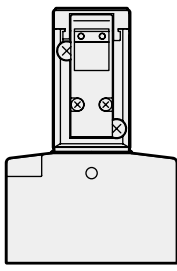
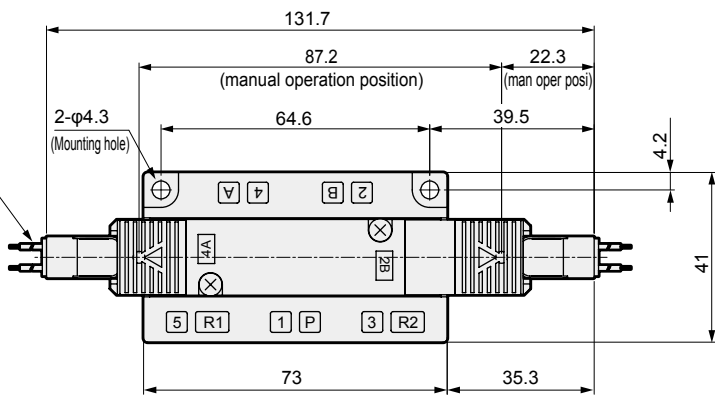
- 4GA/B
- M4GA/B
- MN4GA/B
- 4GA/B (mastr)
- 4GD/E
- M4GD/E
- MN4GD/E
- 4GA4/B4
- MN3E
- MN4E
- W4GA/B2
- W4GB4
- 4TB
- 4L2-4/LMF0
- MN3S0
- MN4S0
- 4SA/B0
- 4KA/B
- 4KA/B (mastr)
- 4F
- 4F (mastr)
- PV5G
- GMF
- PV5
- GMF
- PV5S-0
- 3QR
- 3QB
- MV3QR
- 3MA/B0
- 3PA/B
- P/M/B
- NP/NAP/NVP
- 4F*0EX
- 4F*0E
- HMV
- HSV
- 2QV
- 3QV
- SKH
- PCD
- Silencer
- TotAirSys (Total Air)
- TotAirSys (Gamma)
- Ending

4GE3 0R

● 3-position grommet lead wire (blank)

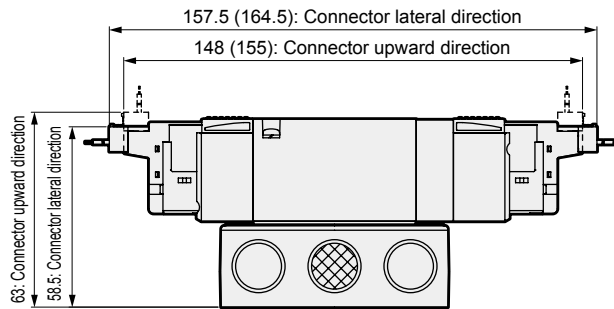
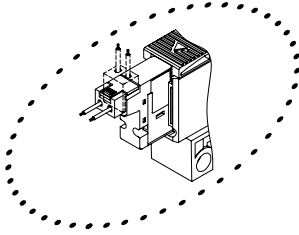


Lead wire length: 300
(AWG#26, O.D. φ1.3)



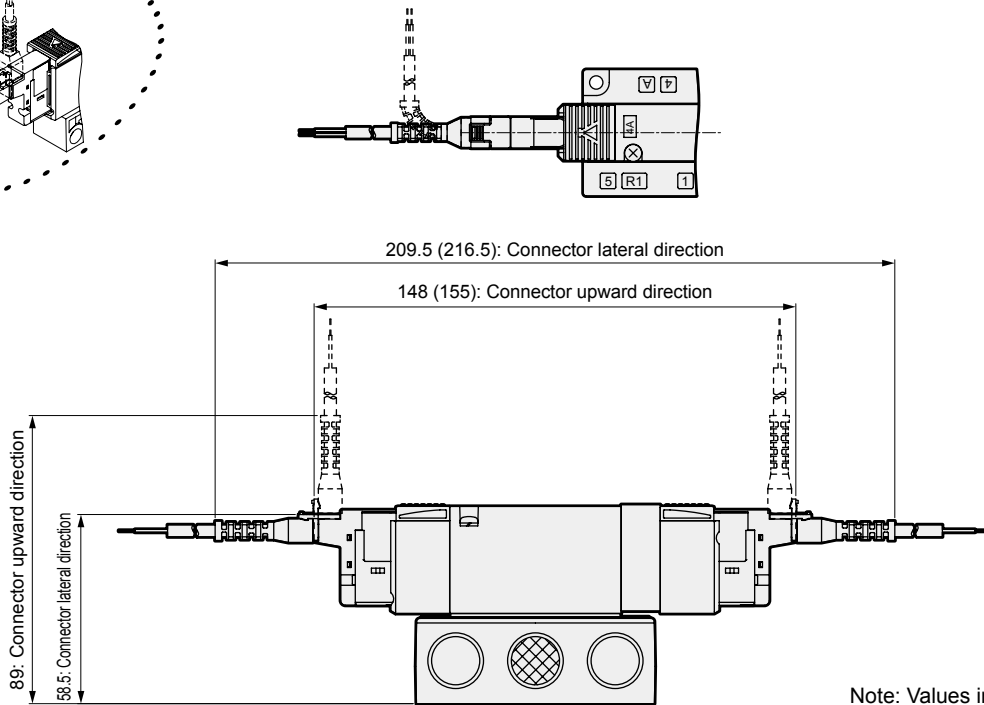
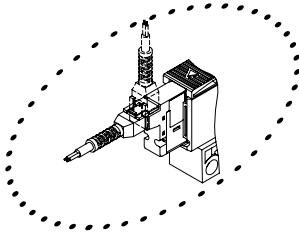
Dimensions

● E type connector (E)



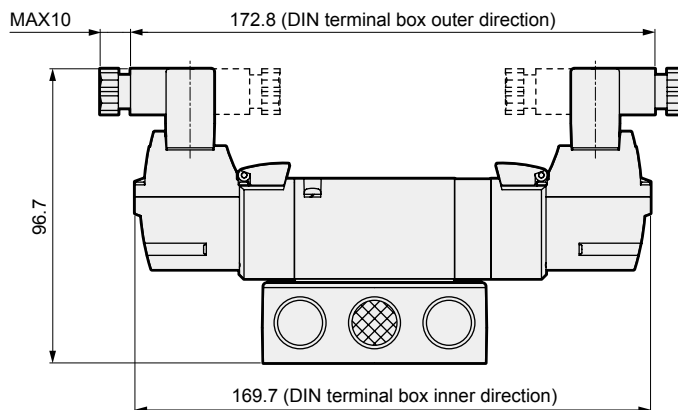
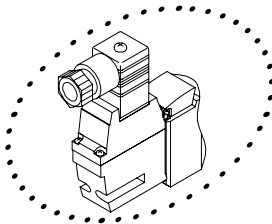
Note: Values in () are for AC voltage.

● EJ type connector (E**J)



Note: Values in () are for AC voltage.

● DIN terminal box (B)



Note: DIN terminal box assembly is shipped facing inward.

4GA/B
M4GA/B
MN4GA/B
4GA/B (mastr)
4GD/E
M4GD/E
MN4GD/E
4GA4/B4
MN3E
MN4E
W4GA/B2
W4GB4
4TB
4L2-4/LMF0
MN3S0
MN4S0
4SA/B0
4KA/B
4KA/B (mastr)
4F
4F (mastr)
PV5G
GMF
PV5
GMF
PV5S-0
3QR
3QB
MV3QR
3MA/B0
3PA/B
P/M/B
NP/NAP/NVP
4F*0EX
4F*0E
HMV
HSV
2QV
3QV
SKH
PCD
Silencer
TotAirSys (Total Air)
TotAirSys (Gamma)
Ending