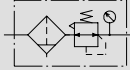


Small filter / regulator

WB500 Series

JIS symbol



CAD DATA AVAILABLE.

Features

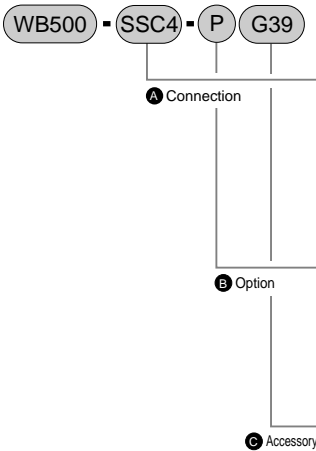
- Compact
Push-in joint and bracket is integrated to reduce total space.
- Light weight
Resin is used in body material to reduce weight.
- Increased workability
Push-in joint is provided as standard. 2 types of piping direction; straight or elbow are available. Plumbing is also easy.

Specifications

Descriptions	WB500	
Working fluid	Compressed air	
Max. working pressure MPa	1.0	
Withstanding pressure MPa	1.5	
Ambient temperature range °C	5 to 60	
Filtration rating μm	5	
Set pressure range MPa	0.05 to 0.7 (Note 1)	
Relief	With relief mechanism	
Drain capacity cm ³	1.0	
Drainage method	Manual	
Port size	IN-OUT	Push-in joint: 4, 6 dia.
	GAUGE	Rc1/8
Product mass g	100	

Note 1: 0.05MPa to 0.35MPa for low pressure specifications

How to order



Symbol	Descriptions
A Connection	
Direction	
S	Straight
L	Elbow
S	Straight
L	Elbow
Port size	
C4	4 dia.
C6	6 dia.
B Option	
Blank	Standard product
P	Panel mount Note 3
L	For low pressure
N	Non-relief
T	Without pressure gauge
X1	IN-OUT reverse
Z	Opaque drain plug Note 1
C Accessory	
Blank	21 dia. 0 to 1.0MPa gauge
	27 dia. 0 to 0.4MPa gauge
G39	27 dia. 0 to 1.0MPa gauge
	Standard Note 2
	Option



Note on model No. selection

- Note 1: Opaque material (nylon) as same as the body is applied.
- Note 2: For 21 dia. 0 to 1.0MPa pressure gauge is provided as standard.
If low pressure specifications, low pressure gauge with 0 to 0.4MPa range for 27 dia. is provided.
- Note 3: Select option symbol "P" for panel installation.

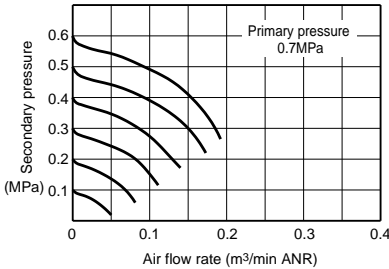
[Example of model number]

WB500-SSC4-PG39

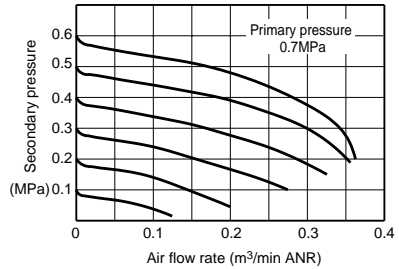
- A** Connection (direction) : Straight for IN-OUT
Connection (port size) : 4 dia.
- B** Option : Panel mount
- C** Accessory : 27 dia. 0 to 0.1MPa pressure gauge

Flow characteristics

• WB500-**C4

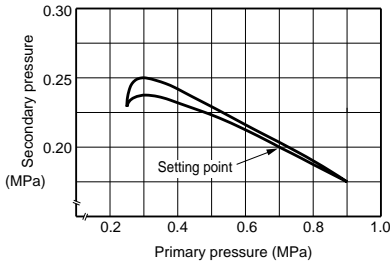


• WB500-**C6



Pressure characteristics

• WB500



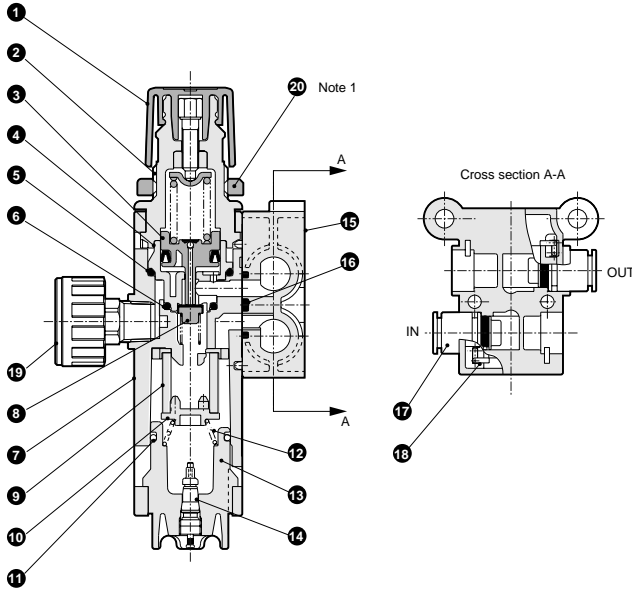
Precautions

* Pipe cautions

- Do not use the product where organic solvent or chemicals, etc. are present in the atmosphere or adhered to the product.
- Avoid direct sun lay.
- Do not use the product where vibration or impact could occur.
- Install the product vertically facing the drain plug downward.
- Avoid using the product where large drain may be generated. If unavoidable, install an air dryer and automatic drain before IN port.
- Air-flush the air pipe carefully before connection.
- Use CKD soft nylon tube or urethane tube for piping material.
- Insert piping tube into push-in joint securely before starting use.
- If the pressure adjustment knob is rotated clockwise, the secondary pressure will increase, while rotated counterclockwise, the pressure will drop.
- Check the primary pressure before setting the pressure.
- When maintenance, stop the primary pressure, and release the residual pressure before starting work.
- When assembling a pressure gauge, tighten the gauge with tightening torque 3.5N·m or less.

Refrigerating type dryer
Desiccant type dryer
High polymer membrane dryer
Air filter
Automatic drain other
F.R.L (Module)
F.R.L (Separate)
Small F.R.
Precise R.
Electro pneumatic R.
Auxiliary
Flow control valve
Silencer
Check valve / others
Joint / tube
Vacuum F.
Vacuum R.
Vacuum generator
Vacuum auxiliary / pad
Mechanical pressure SW
Electronic pressure SW
Electronic dif. pres. SW
Sealing / close contact conf. SW
Pressure SW for coolant
Flow sensor for air
Total air system
Water cooling refrigerator
Flow sensor for water
F.R.L. unit
Small filter / regulator

Internal structure and parts list



No.	Parts name	Material
1	Knob	Polyacetal resin
2	Cover	Polyamide resin
3	Piston assembly	Polyacetal resin / nitrile rubber
4	Piston guide	Polyacetal resin
5	O ring	Nitrile rubber
6	O ring	Nitrile rubber
7	Body	Polyamide resin
8	Valve element	Aluminum / nitrile rubber
9	Element	Polypropylene
10	Baffle	Polyacetal resin
11	O ring	Special nitrile rubber
12	Spring	Stainless steel
13	Drain plug	Polycarbonate resin
14	Valve	
15	Pipe block assy	Polyamide resin / steel
16	Body packing seal	Nitrile rubber
17	Cartridge joint	
18	Stop pin	Stainless steel
19	Pressure gauge	
20	Mounting nut	Polyacetal resin

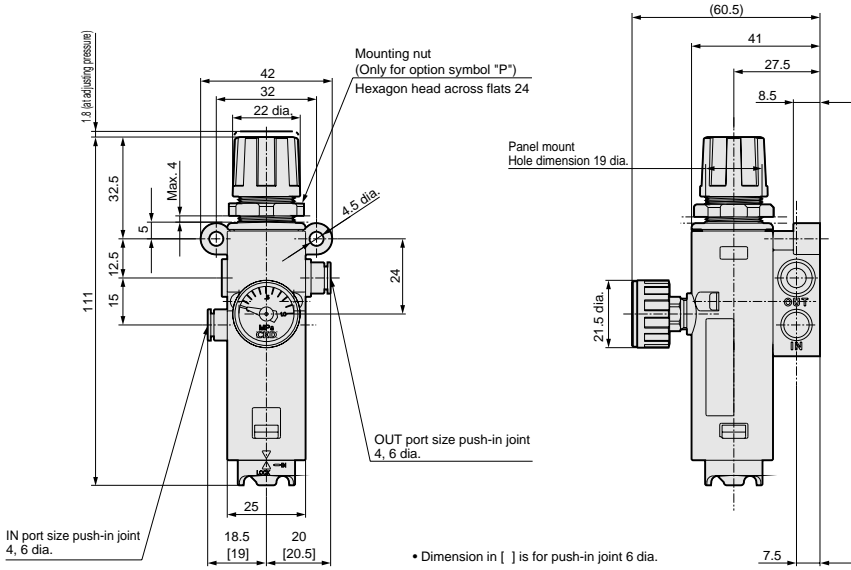
Note 1: Mounting nut is optional.
Attached only for option symbol "P".

Dimensions

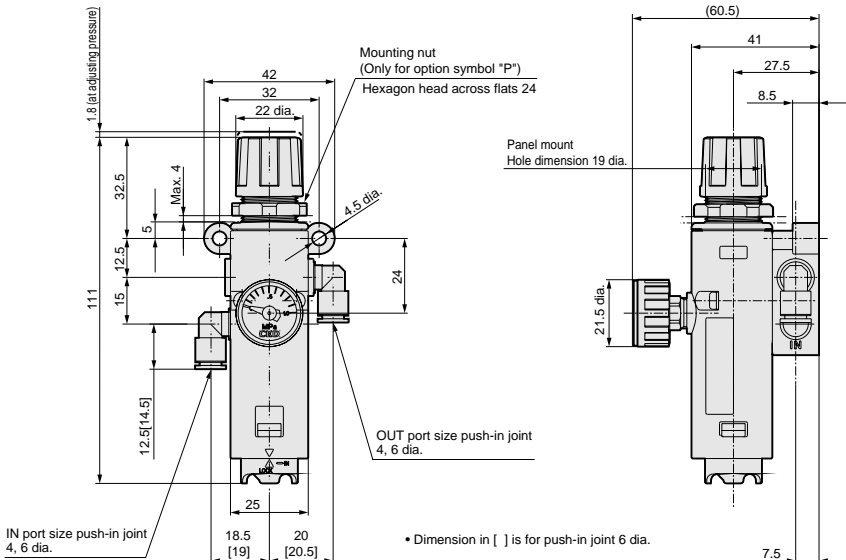


(File name: Page 463 or Ending 18)

• WB500 axial piping



• WB500 elbow piping



Refrigerating type dryer
Desiccant type dryer
High polymer membrane dryer
Air filter
Automatic drain other
F.R.L (Module)
F.R.L (Separate)
Small F.R.
Precise R.
Electro pneumatic R.
Auxiliary
Flow control valve
Silencer
Check valve / others
Joint / tube
Vacuum F.
Vacuum R.
Vacuum generator
Vacuum auxiliary / pad
Mechanical pressure SW
Electronic pressure SW
Electronic dif. pres. SW
Seating / close contact conf. SW
Pressure SW for coolant
Flow sensor for air
Total air system
Water cooling refrigerator
Flow sensor for water
F.R.L. unit
Small filter / regulator