



Compact direct acting 2 port solenoid valve



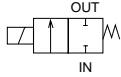
HNB1 Series

- NC (normally closed) type
- Port size: M5



JIS symbol

- NC (normally closed) type



Specifications

Descriptions	HNB1-M5
Working fluid	Air, water, dry air, low vacuum (1.33 x 10 ² Pa (abs))
Working pressure differential range MPa	0 to 0.7
Withstanding pressure (water pressure) MPa	1.0
Fluid temperature °C	-10 to 40 (no freezing)
Ambient temperature °C	-20 to 40 (no freezing)
Valve seat leakage cm ³ /min	0 (under water pressure)
Installation attitude	Free
Weight g	43
Port size	M5
Orifice mm	1.0
Cv flow factor	0.03
C[dm ³ /(s·bar)]	0.11
b	0.34
Electric specifications	
Rated voltage	24 VDC (option 12 VDC)
Allowable voltage fluctuation	±10%
Power consumption W	2.5
Leakage current mA	1 or less
Heat proof class	B

*1: Effective sectional area S and sonic conductance C are converted as $S \approx 5.0 \times C$.

How to order



Model no.

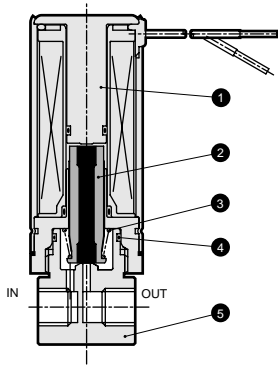
Port size
M5

Ⓐ Rated voltage

Symbol	Descriptions
Ⓐ	Rated voltage
DC24V	24 VDC
DC12V	12 VDC

Internal structure and parts list

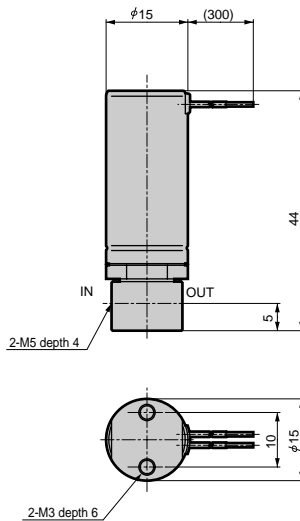
● HNB1



No.	Parts name	Materials	
1	Core assembly	PPS, STKM, SUS	Resin, stainless steel
2	Plunger assembly	SUS, NBR	Stainless steel, nitrile rubber
3	Spring	SUS304	Stainless steel
4	O ring	NBR	Nitrile rubber
5	Body	SUS303	Stainless steel

Dimensions (Page 20)

● HNB1



HNB/G

USB/G

FAB/G

FGB/G

FVB

FWB/G

FHB

FLB

AB

AG

AP/AD

APK/ADK

For dry air

Explosion proof

HVB/HVL

SAB/SVB

NP/NAP/NVP

CHB/G

MXB/G

Other G.P. systems

PD/FAD/PJ

CVE/CVSE

CPE/CPD

Medical analysis

Custom order

Compact direct acting 2 port solenoid valve



Compact direct acting 3 port solenoid valve



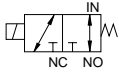
HNG1 Series

- Universal type
- Port size: M5



JIS symbol

- Universal type



Specifications

Descriptions	HNG1-M5
Working fluid	Air, water, dry air, low vacuum (1.33 x 10 ² Pa (abs))
Working pressure differential range MPa	0 to 0.7 (NO pressurization 0 to 0.3)
Withstanding pressure (water pressure) MPa	1.0
Fluid temperature °C	-10 to 40 (no freezing)
Ambient temperature °C	-20 to 40 (no freezing)
Valve seat leakage cm ³ /min	0 (under water pressure)
Installation attitude	Free
Weight g	46
Port size	M5
Orifice mm	1.0
Cv flow factor	0.03
C[dm ³ /(s·bar)]	0.11
b	0.34
Electric specifications	
Rated voltage	24 VDC (option 12 VDC)
Allowable voltage fluctuation	±10%
Power consumption W	2.5
Leakage current mA	1 or less
Heat proof class	B

*1: Effective sectional area S and sonic conductance C are converted as $S \approx 5.0 \times C$.

How to order



Model no.

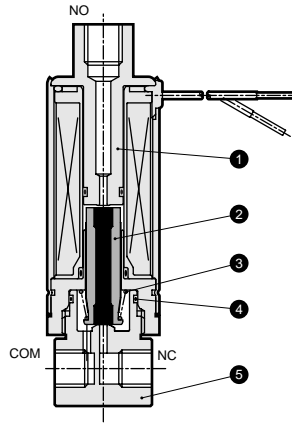
Port size
M5

Ⓐ Rated voltage

Symbol	Descriptions
Ⓐ	Rated voltage
DC24V	24 VDC
DC12V	12 VDC

Internal structure and parts list

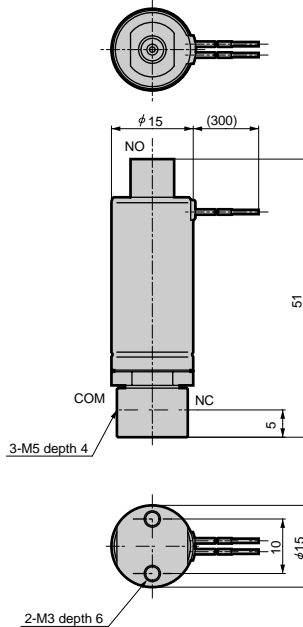
● HNG1



No.	Parts name	Materials	
1	Core assembly	PPS, STKM, SUS	Resin, stainless steel
2	Plunger assembly	SUS, NBR	Stainless steel, nitrile rubber
3	Spring	SUS304	Stainless steel
4	O ring	NBR	Nitrile rubber
5	Body	SUS303	Stainless steel

Dimensions (Page 20)

● HNG1



HNB/G
USB/G
FAB/G
FGB/G
FVB
FWB/G
FHB
FLB
AB
AG
AP/AD
APK/ADK
For dry air
Explosion proof
HVB/HVL
SAB/SVB
NP/NAP/NVP
CHB/G
MXB/G
Other G.P. systems
PD/FAD/PJ
CVB/CVSE
CPE/CPD
Medical analysis
Custom order

Compact direct acting 3 port solenoid valve